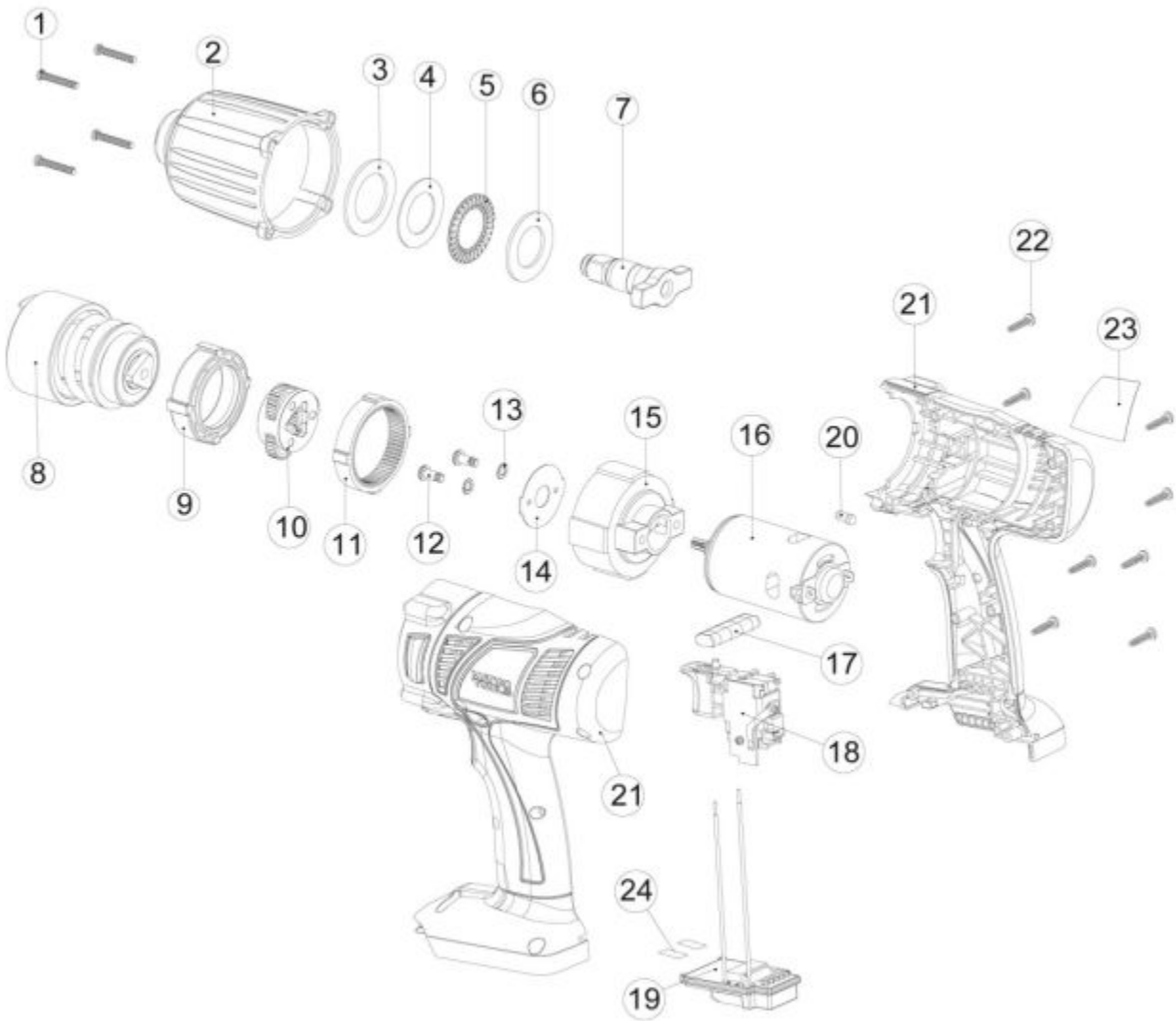


MCL2012IW - 20V 1/2" IMPACT WRENCH



Item: MCL2012IW

Description: 20V 1/2" IMPACT WRENCH

Notes: Also available: RS192IW5PK Package of 5 each socket retaining rings and o-rings for front impact assembly. RS2012IWC Blow molded case only

| Figure No | Part Number | Description | No. Reqd | Warranty Code |
|-----------|---------------|------------------------------|----------|---------------|
| 1 | K7RS18IWVS01 | SCREW F/MCL18IWVS | 4 | X |
| 2 | K7RS1812IW02 | FRONT COVER ASSY F/MCL1812IW | 1 | X |
| 3 | K7RS18IWVS03 | RUBBER WASHER F/MCL18IWVS | 1 | X |
| 4 | K7RS18IWVS04 | WASHER F/ MCL18IWVS | 1 | X |
| 5 | K7RS18IWVS05 | BEARING F/MCL18IWVS | 1 | X |
| 6 | K7RS18IWVS06 | WASHER F/ MCL18IWVS | 1 | X |
| 7 | K7RS192W05 | ANVIL F/MPTL192IW | 1 | X |
| 8 | K7RS18IWVS08 | REAR IMPACT ASSY F/MCL18IWVS | 1 | X |
| 9 | K7RS18IWVS09 | BEARING HOLDER F/ MCL2012IW | 1 | X |
| 10 | K7RS18IWVS10 | PLANETARY GEAR ASSEMBLY | 1 | X |
| 11 | K7RS18IWVS11 | RING GEAR FOR 18IWVS | 1 | X |
| 12 | *K7S18IWVS12 | SCREW (M4X12L) | 2 | |
| 13 | *K7RS18IWVS13 | SPRING WASHER | 2 | |
| 14 | K7RS18IWVS14 | #14 WASHER F/ MCL1812IW | 1 | X |
| 15 | K7RS18IWVS15 | RING GEAR HOLDER MCL18IWVS | 1 | X |
| 16 | K7RS18IWVS16 | MOTOR ASSEMBLY F/ MCL18IWVS | 1 | X |
| 17 | K7RS1812IW17 | FORWARD/REVERSE ROD | 1 | X |
| 18 | K7RS18IWVS18 | MAIN SWITCH F/ MCL18IW | 1 | X |
| 19 | K7RS18AG19 | PCB ASSEMBLY F/ MCL18IW | 1 | X |
| 20 | K7RS144DD17 | LED F/ MCL18IWVS | 1 | X |
| 21 | K7RS1812IWH | MCL1812IW HOUSING ASSY | 1 | X |
| 22 | K7RS144DD18 | HOUSING SCREW F/ MCL18IWVS | 8 | X |
| 23 | *K7RS2012IWL | HOUSING LABEL | 1 | |
| 24 | K7RS1812IWP | PAD F/MCL1812IW | 2 | X |