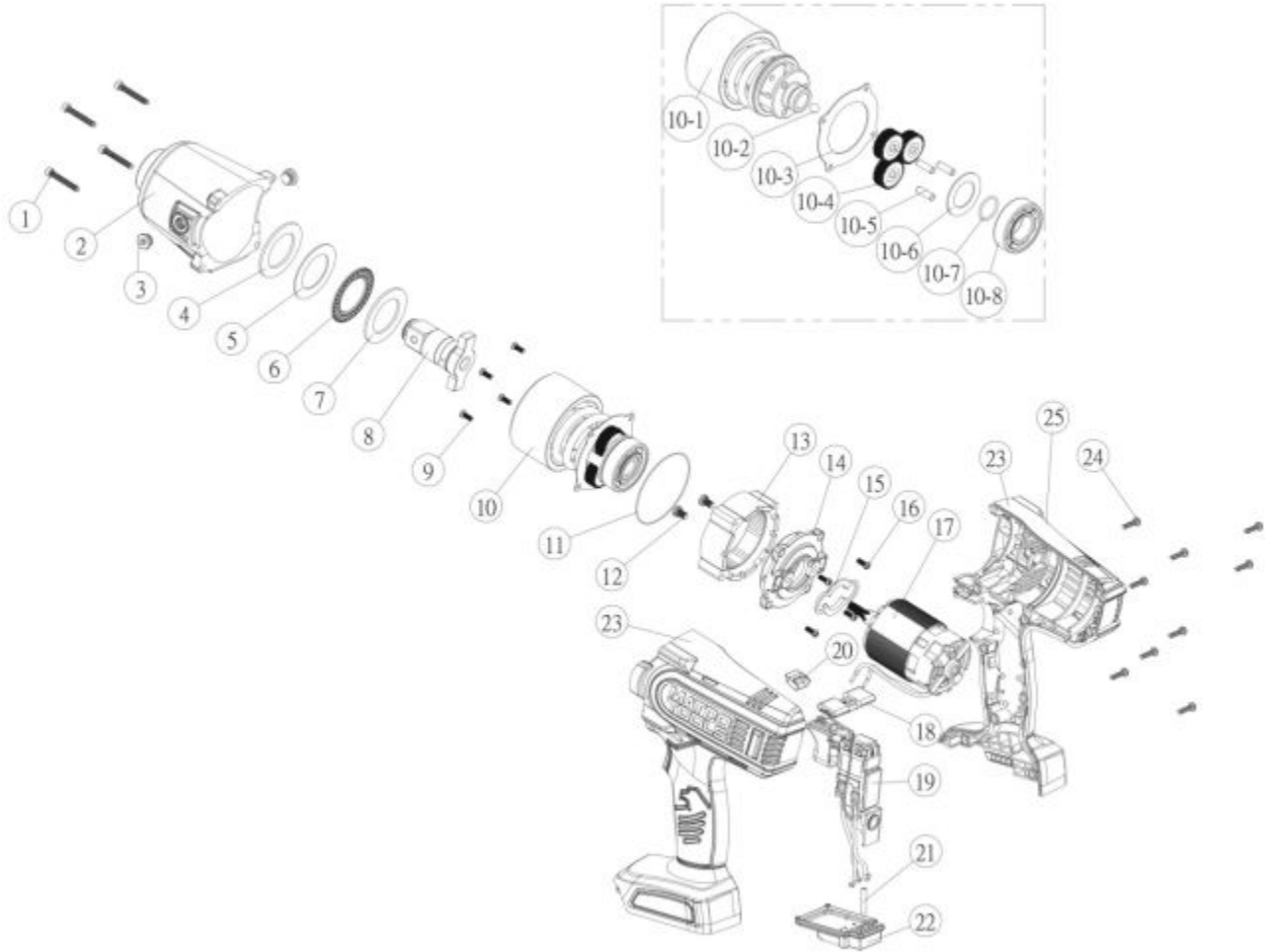


MCL2034HPIW - 20V 3/4" IMPACT WRENCH



Item: MCL2034HPIW

Description: 20V 3/4" IMPACT WRENCH

**Notes:** not shown RS2034HPIWPL - Product Warning Label RS2034HPIWBMC - Blow molded case only RS60138 - Side Handle w/Grip (not shown) 1 each = Socket Retaining ring and O-ring for ref #8 front impact assembly RS76806 SOCKET RETAINER RS76807 O - RING

Figure No	Part Number	Description	No. Reqd	Warranty Code
1	*K7RS201201	SCREW	4	
2	*K7RS203402	FRONT COVER ASSEMBLY	1	
3	K7RS201203	SCREW FOR MCL2012HPIW	2	X
4	*K7RS203404	RUBBER WASHER	1	
5	*K7RS203405	WASHER	1	
6	*K7RS203406	BEARING	1	
7	*K7RS203407	WASHER	1	
8	K7RS203408	FRONT IMPACT ASSEMBLY	1	X
9	*K7RS201209	SCREW	4	
10	K7RS201210	REAR IMPACT ASSY F/MCL2034HPIW	1	X
10	K7RS201210	REAR IMPACT ASSY F/MCL2034HPIW	1	X
10	K7RS201210	REAR IMPACT ASSY F/MCL2034HPIW	1	X
10	K7RS201210	REAR IMPACT ASSY F/MCL2034HPIW	1	X
10	K7RS201210	REAR IMPACT ASSY F/MCL2034HPIW	3	X
10	K7RS201210	REAR IMPACT ASSY F/MCL2034HPIW	3	X
10	K7RS201210	REAR IMPACT ASSY F/MCL2034HPIW	1	X
10	K7RS201210	REAR IMPACT ASSY F/MCL2034HPIW	1	X
10	K7RS201210	REAR IMPACT ASSY F/MCL2034HPIW	1	X
11	*K7RS201211	O-RING	1	
12	*K7RS1838IW11	SCREW (M5X8L)	2	
13	*K7RS201213	RING GEAR	1	
14	*K7RS201214	MOTOR CONNECTOR	1	
15	*K7RS201215	RUBBER PAD	1	
16	*K7RS201209	SCREW	4	
17	K7RS201217	MOTOR ASSY. F/MCL2012HPIW	1	X
18	K7RS201218	FWD REV ROD F/MCL2012HPIW	1	X
19	K7RS201219	MAIN SWITCH	1	X
20	K7RS201220	LED FOR MCL2012HPIW	1	X
21	*K7RS201221	HEAT SHRINKAGE TUBE	1	
22	K7RS201222	BATTERY CONNECTOR	1	X
23	K7RS201223	HOUSING L & R ASSEMBLY BURGUND	1	X
24	K7RS144DD18	HOUSING SCREW F/ MCL18IWVS	9	X

