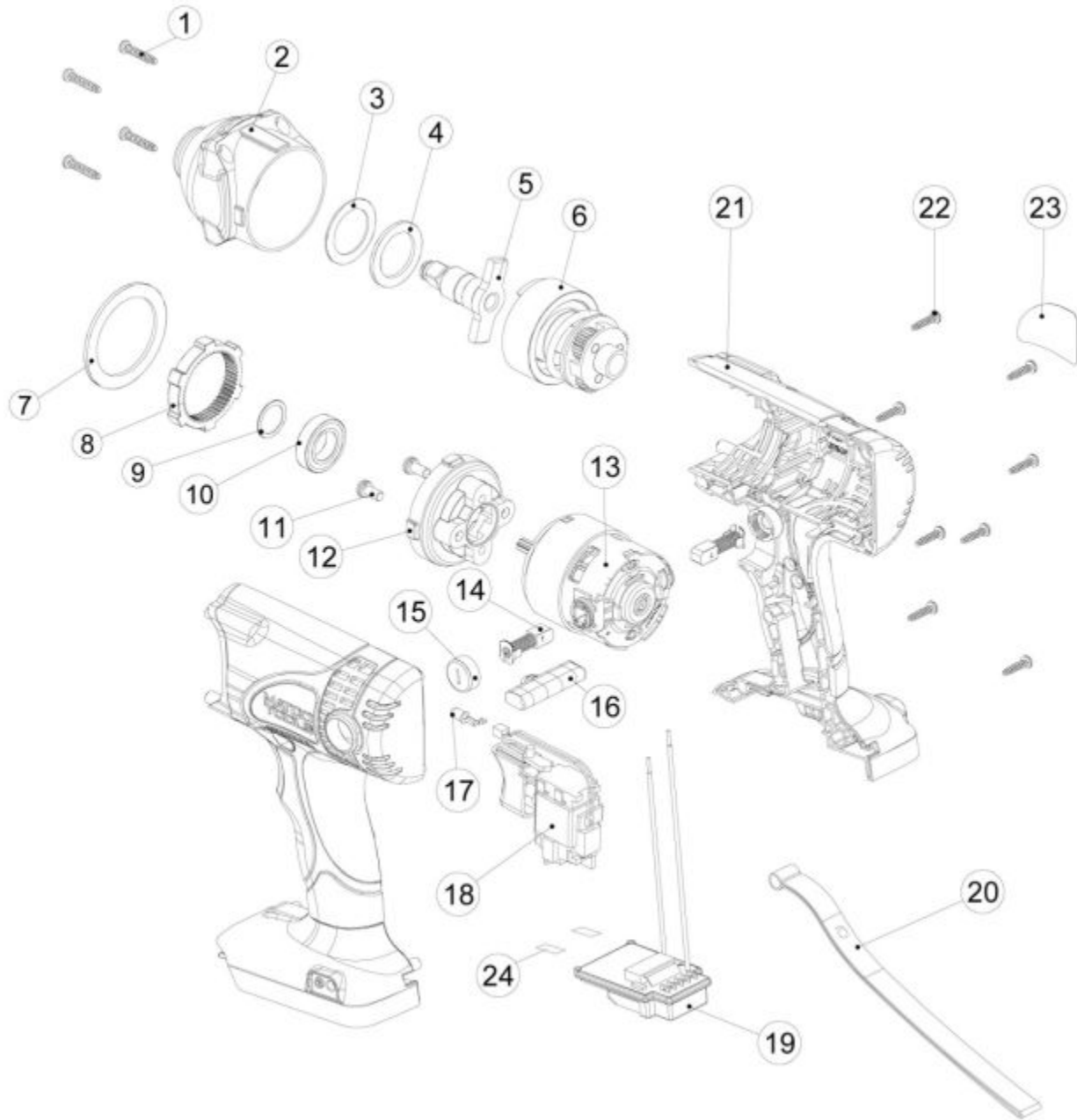


MCL2038IW - 20V 3/8" IMPACT WRENCH



Item: MCL2038IW

Description: 20V 3/8" IMPACT WRENCH

Notes: Also available: RSMCL2038IWPLK Product Label Kit RS144IW5PK Package of 5 each socket retaining rings and o-rings for front impact assembly. RS2038IWC Blow Mold Case Only

Figure No	Part Number	Description	No. Reqd	Warranty Code
1	K7144IWHO01	FRNT HOUSE SCREW MCL144IWHO	4	X
2	K7144IWHO02	FRONT HOUSING F/MCL144IWHO	1	X
3	*K7RS144IWHO03	RUBBER WASHER	1	
4	*K7RS144IWHO04	WASHER	1	
5	K7RS144IWHO5	FRONT IMP ASMBLY F/MCL144IWHO	1	X
6	K7144IWHO06	REAR IMPACT ASMB -MCL144IWHO	1	X
7	*K7RS144IWHO07	WASHER	1	
8	K7144IWHO08	GEAR RING F/MCL144IWHO	1	X
9	K7RS144W08	WASHER FOR MPTL144IW	1	X
10	K7RS144W10	BEARING F/MPTL144IW	1	X
11	*K7RS1838IW11	SCREW (M5X8L)	2	
12	*K7RS1838IW12	GEAR RING HOLDER	1	
13	K7RS1838IW13	MOTOR ASSEMBLY	1	X
14	K7144IWHO14	CARBON BRUSH F/MCL144IWHO	2	X
15	K7144IWHO15	BRUSH RETAINING NUT-MCL144IWHO	2	X
16	K7RS1812IW17	FORWARD/REVERSE ROD	1	X
17	K7RS12DD09	LED F/MUC12DD	1	X
18	K7RS1838IW18	MAIN SWITCH F/MCL1838IW	1	X
19	K7RS1838IW19	PCB ASSEMBLY DISSCHARGE PROTE	1	X
20	K7RS144IWHO2	BELT FOR MUC1838IW	1	X
21	K7RS1838IW21	HOUSING ASSEMBY F/MCL1838IW	1	X
22	K7RS144DD18	HOUSING SCREW F/ MCL18IWVS	8	X
23	K7RS2038IWL	HOUSING LABEL - R F/ MCL2038IW	1	X
24	K7RS1812IWP	PAD F/MCL1812IW	2	X