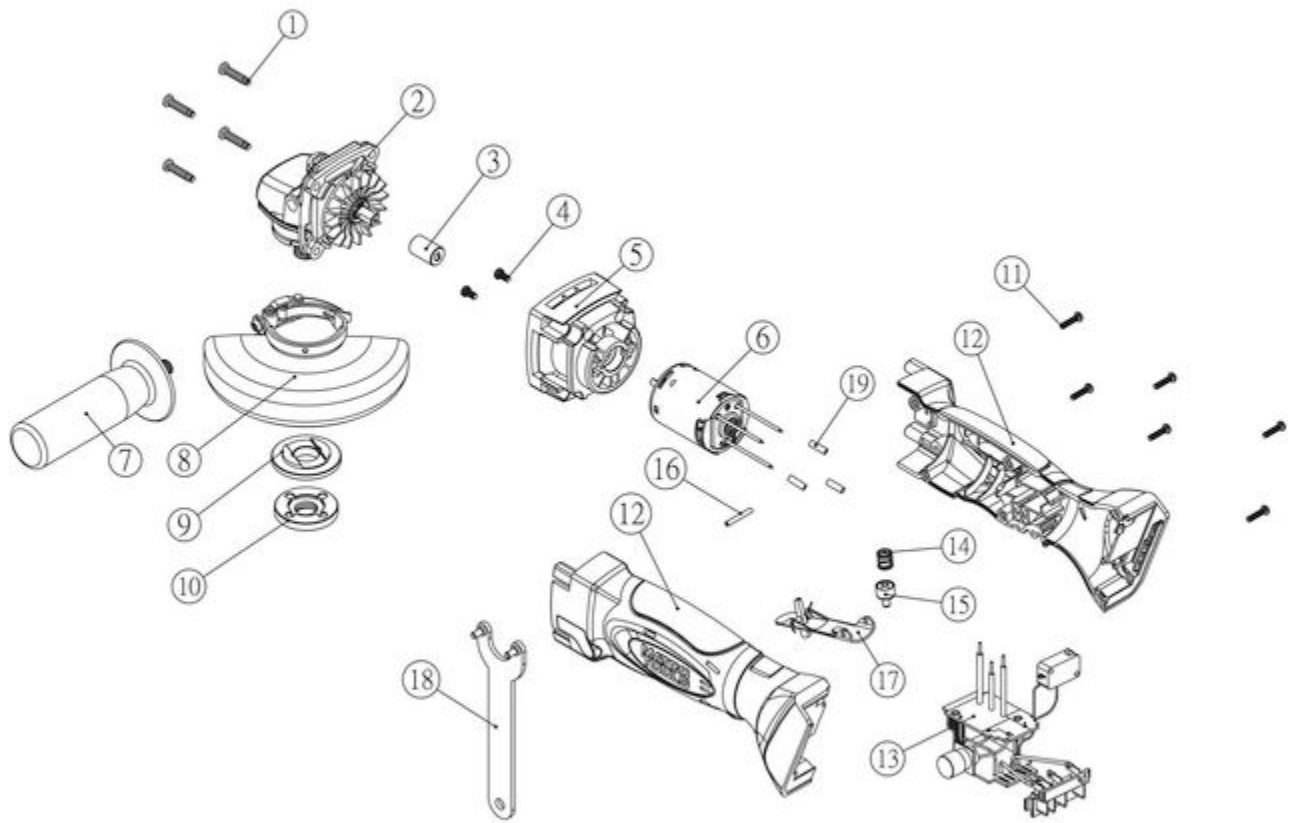


MCL20G - 20V BRUSHLESS GRINDER



Item: MCL20G

Description: 20V BRUSHLESS GRINDER

Notes: N/S: RSMCL20GPWL--Product Warning Label (QTY 1)

Figure No	Part Number	Description	No. Reqd	Warranty Code
1	*K7RS18AG01	SCREW	4	
2	K7RS180AG02	FRONT COVER GEAR BOX ASSEMBLY	1	X
3	*K7RS18AG03	BUSHING [13 X 20L]	1	
4	*K7RS14408	SCREW [M4 X 0.7]	2	
5	*K7RS201245	MOTOR FIXTURE	1	
6	*K7RS201246	MOTOR	1	
7	K7RS18AG11	HANDLE (MCL18AG)	1	X
8	K7RS18AG07	GRINDSTONE SHEATH F/MCL18AG	1	X
9	*K7RS18AG08	WHEEL FLANGE [11 X 5.5 X 0.5T]	1	
10	K7RS18AG09	GRINDSTONE NUT F/ MCL18AG	1	X
11	K7RS144DD18	HOUSING SCREW F/ MCL18IWVS	6	X
12	*K7RS201247	HOUSING-L&R	1	
13	*K7RS201248	PCB ASS'Y	1	
14	K7RS18AG17	SPRING FOR MCL18AG	1	X
15	*K7RS18AG18	TRIGGER KEY	1	
16	*K7RS18AG14	TRIGGER PIN [3 X 18L]	1	
17	K7RS18AG15	TRIGGER F/MCL18AG	1	X
18	K7RS18AG22	WRENCH ( FOR A MCL18AG)	1	X
19	*K7RS201249	HEAT SHRINKAGE TUBE [4 X 30]	3	