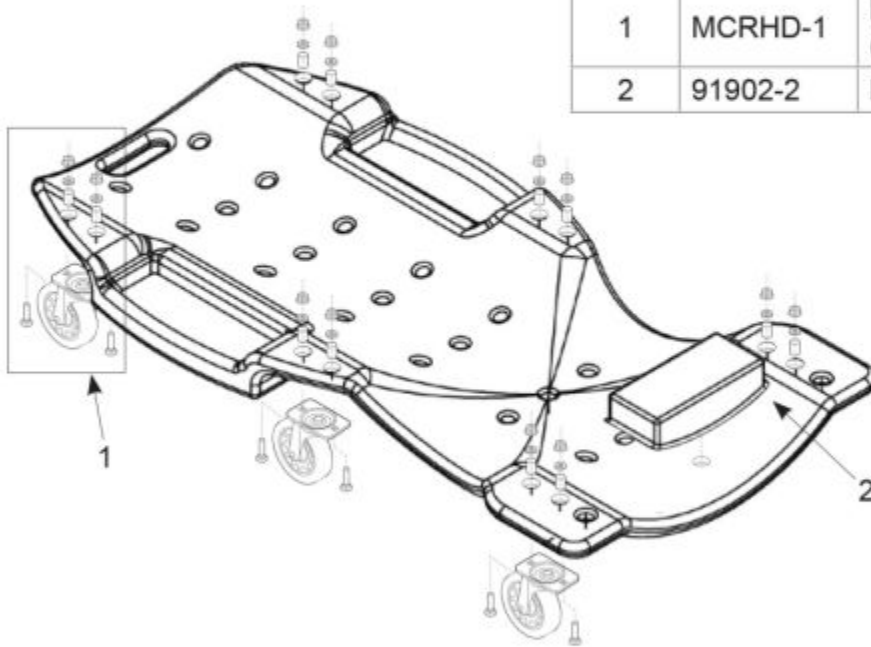


MCRHD - HEAVY DUTY 48" CREEPER - RED

Ref #	Part #	Description	Qty
1	MCRHD-1	PU Caster Assembly (includes hardware)	1
2	91902-2	Head Cushion	1

Item: MCRHD

Description: HEAVY DUTY 48" CREEPER - RED

Notes: Casters are warranted for 1 year along with the Creeper. Must call SFA and provide pictures of the damaged casters and the Bill of Sale for the Creeper in order to receive replacement casters under the 1 year warranty.

Figure No	Part Number	Description	No. Reqd	Warranty Code
1	Q3MCRHD-1	CASTER ASSEMBLY F/MCRHD	1	B