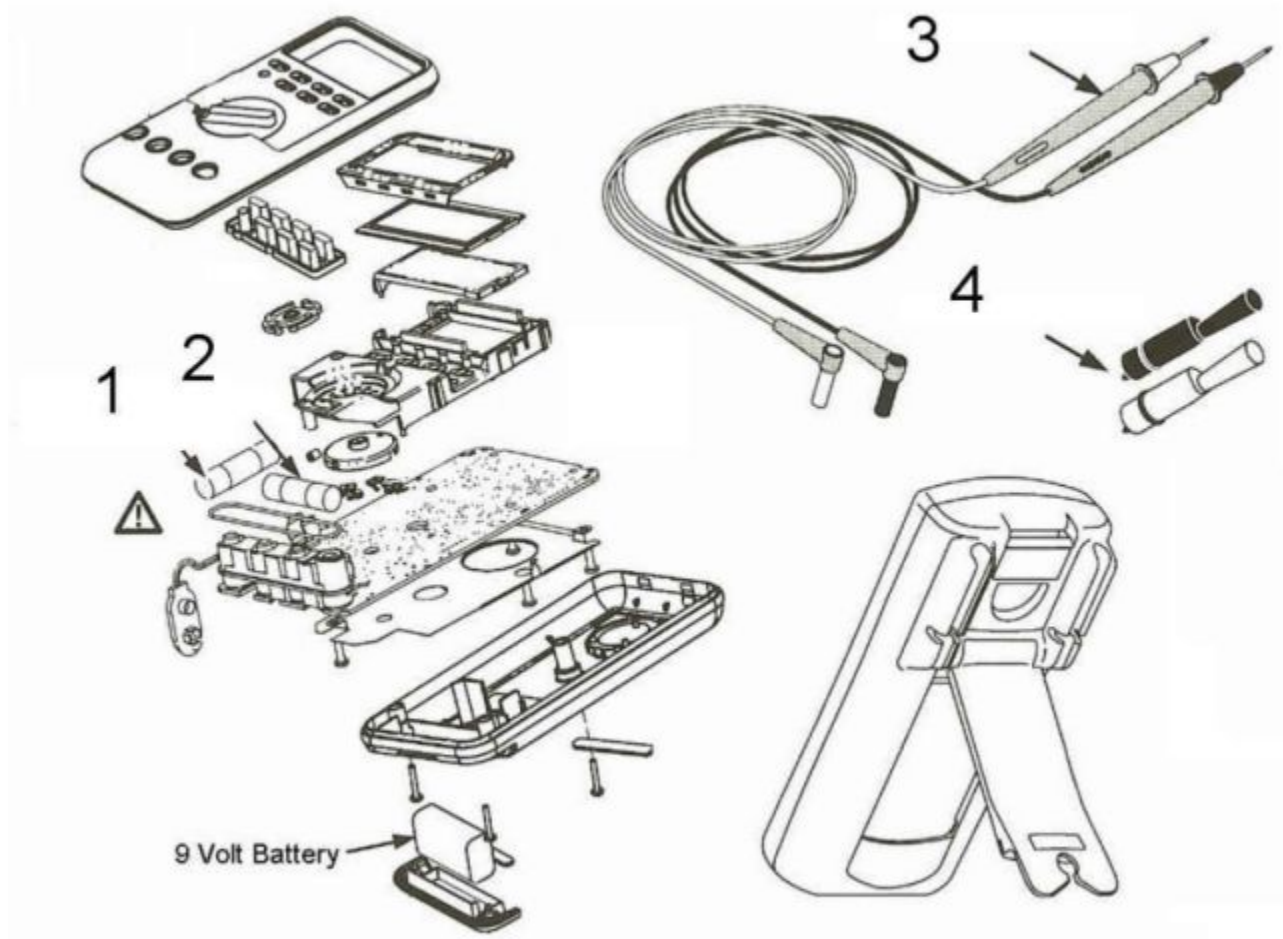


MD87S5 - DIGITAL MULTIMETER SERIES 5



Item: MD87S5

Description: DIGITAL MULTIMETER SERIES 5

Notes: N/A

Figure No	Part Number	Description	No. Reqd	Warranty Code
1	0P2074033	YELLOW PROTECTIVE CASING MD87S	1	D
2	0P80BK-A	BEADED TEMP PROBE	1	D
3	203411	440MA 1000V FUSE	1	X
4	0P803293	11 AMP FUSE	1	X
5	MDA75	TEST LEAD SET	1	D
6	AC175	ALLIGATOR CLIPS	1	D
7	0PFLUKE87-5	INDUSTRIAL FLUKE MULTIMETER	1	L
803293	1	#1 DRILL BIT	1	T