

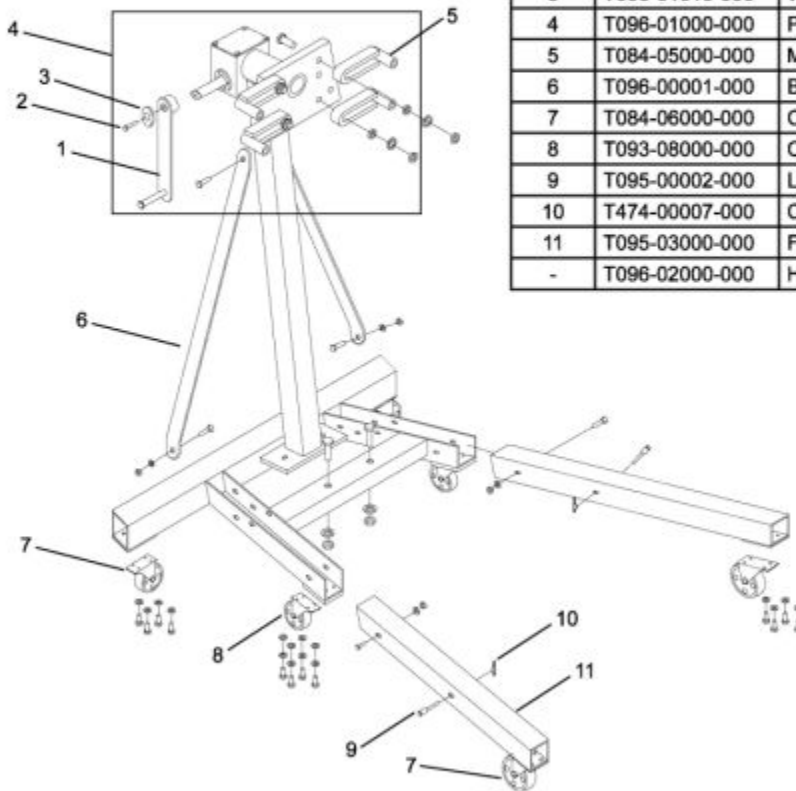
MES31256 - 1250 ROTATING HEAD ENG STAND

REPLACEMENT PARTS

Not all components of the jack are replacement items, but are illustrated as a convenient reference of location and position in the assembly sequence. When ordering parts, please give the Model number, part number and parts description. Call or write for current pricing: Matco Tools, 4403 Allen Road, Stow, OH 44224-1096, U.S.A. Tel: (866) BUY-TOOL Matco Tools Website: <http://www.matcotools.com>

Replacement Parts List for Model MES31256

Item	Part#	Description
1	T096-01200-000	Handle Assembly
2	5102-05015-000	Bolt, M5x12
3	T096-01010-000	Washer
4	T096-01000-000	Post & Head Assembly
5	T084-05000-000	Mounting Arm
6	T096-00001-000	Brace
7	T084-06000-000	Caster, 3 1/2"
8	T093-08000-000	Caster, 3"
9	T095-00002-000	Lock Pin
10	T474-00007-000	Cotter Pin
11	T095-03000-000	Front Leg
-	T096-02000-000	Hardware Kit



Replacement Parts Illustration for model MES31256

Item: MES31256

Description: 1250 ROTATING HEAD ENG STAND

Notes: N/A

Figure No	Part Number	Description	No. Reqd	Warranty Code
-----------	-------------	-------------	----------	---------------