

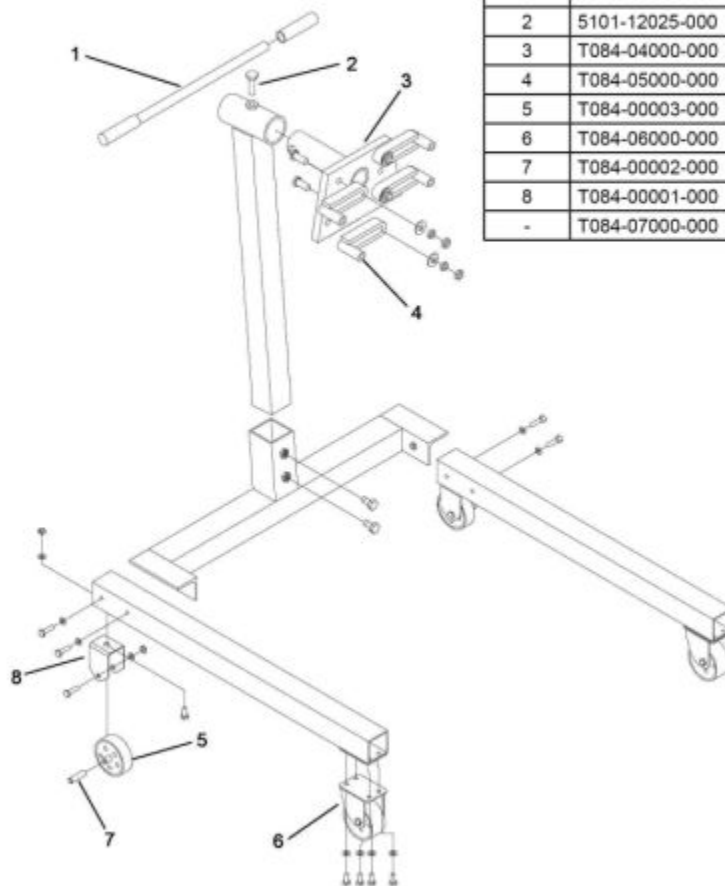
MES32125 - 1250 LBS ENGINE STAND

REPLACEMENT PARTS

Not all components of the jack are replacement items, but are illustrated as a convenient reference of location and position in the assembly sequence. When ordering parts, please give the Model number, part number and parts description. Call or write for current pricing: Matco Tools, 4403 Allen Road, Stow, OH 44224-1096, U.S.A. Tel: (866) BUY-TOOL Matco Tools Website: <http://www.matcotools.com>

Replacement Parts List for Model MES32125

Item	Part#	Description
1	BL80-20001-000	Handle
2	5101-12025-000	Bolt
3	T084-04000-000	Head Plate
4	T084-05000-000	Mounting Arm
5	T084-00003-000	Wheel
6	T084-06000-000	Caster, 3 1/2"
7	T084-00002-000	Axle, Wheel
8	T084-00001-000	Bracket, Wheel
-	T084-07000-000	Hardware Kit



Replacement Parts Illustration for model MES32125

Item: MES32125

Description: 1250 LBS ENGINE STAND

Notes: N/A

Figure No	Part Number	Description	No. Reqd	Warranty Code
-----------	-------------	-------------	----------	---------------