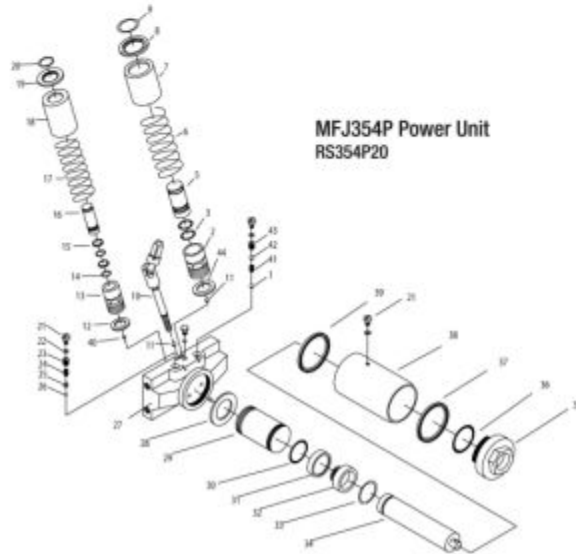
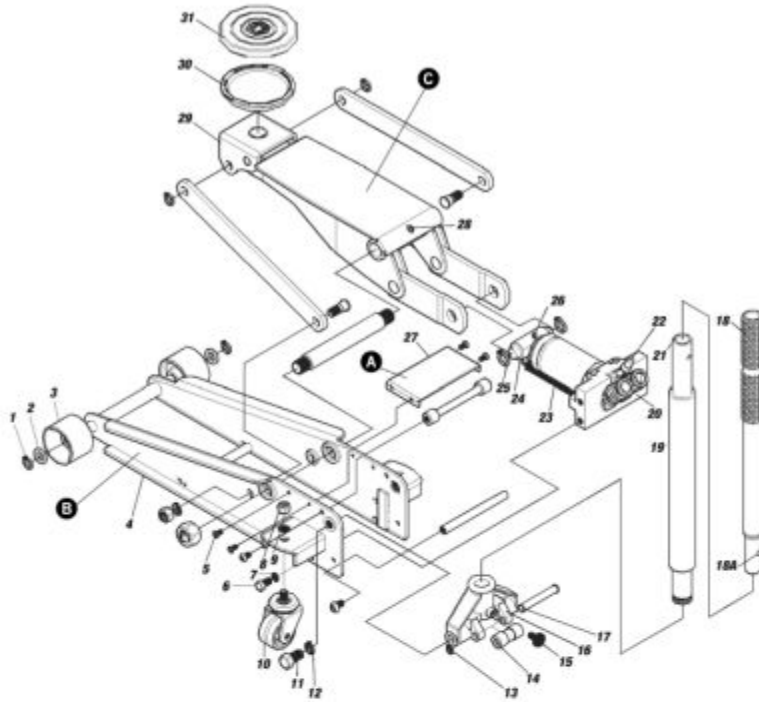


MFJ354P - 3.5 TON FLOOR JACK



Item: MFJ354P

Description: 3.5 TON FLOOR JACK

Notes: *K7* Included in Seal Kit - RS354PSK----- clip and washer for front wheel k7rs3505-1 AND RS35T02 (WASHER) CLIP FOR LIFT STRAP SUPPORTS UNDER SADDLE ARE A M16 e-clip k7rs3505-1 When ordering upper handle K7RS35T17 , the button (k7rs35thb) that locks handle to the lower is sold separate.

Figure No	Part Number	Description	No. Reqd	Warranty Code
1	K7RS35T01	RETAINING RING F/ MFJ35B	2	X
2	K7RS35T02	WASHER F/ MFJ35B	2	X
3	K7RS35B03	FRONT WHEEL F/ MFJ35B	2	X
4	*K7null	SIDE PLATE ASSEMBLY	1	
5	*K7null	BOLT M5 X 15	4	
6	*K7null	BOLT M12 X 22	4	
7	*K7null	WASHER	4	
8	K7RS35T08	NUT & WASHER F/CASTER F/MFJ35B	2	X
9	*K7null	WASHER	2	
10	K7RS35B10	CASTER ASSY F/ MFJ35B	2	X
11	K7RS35B11	YOKE RETAINING BOLT F/ MFJ35B	1	X
12	*K7null	SPRING WASHER	1	
13	*K7null	WASHER	1	
14	*K7null	ROLLER	1	
15	K7RS35T13	SCREW F/ HANDLE ON MFJ35B	1	X
16	K7RS35B16	HANDLE SOCKET F/ MFJ35B	1	X
17	*K7null	PULL ROD	1	
18	K7RS35THB	HNDL BUTTON F/TOP HDL MFJ354P	1	X
18	K7RS35T17	UPPER HANDLE F/ MFJ35B	1	X
19	K7RS35T20	BUMPER F/ MFJ35B	1	X
20	K7RS354P20	POWER UNIT F/ MFJ354P	1	D
21	K7RS35T15	LOWER HANDLE F/ MFJ35B	1	D
22	K7RS35T18	UNIVERSAL JOINT ASSY F/ MFJ35B	1	X
23	K7RS35T19	SPRING F/ MFJ35B	2	X
24	K7RS35B24	BLOCK LINKAGE	1	X
25	*K7null	RETAINING RING	2	
26	*K7null	PIN A4 X 55	1	
27	*K7null	COVER PLATE	1	
28	K7RS35T12	GREASE FITTING	1	X
29	*K7null	LIFT ARM ASSEMBLY	1	
30	K7RS35B30	SADDLE F/MFJ35B	1	X

31	K7RS35B31	SADDLE PAD F/ MFJ354P	1	X
32	K7RSMFJ354PL	COMPLETE SET OF LABELS-MFJ354P	1	X
101	*K7*	STEEL BALL	1	
102	*K7null	LARGE PUMP HOUSING	1	
103	*K7*	O-RING 20.4 X 2.65	2	
105	*K7null	LARGE PUMP PISTON	1	
106	*K7null	PUMP SPRING	1	
107	K7RSDC22	DUST COVER F/MFJ354P	1	X
108	*K7null	WASHER	1	
109	K7RSRR27	RETAINING RING 25	1	X
110	K7RS35T18	UNIVERSAL JOINT ASSY F/ MFJ35B	1	X
111	*K7*	STEEL BALL	2	
112	*K7*	BRASS WASHER	1	
113	*K7null	SMALL PUMP HOUSING	1	
114	*K7*	O-RING 10 X 2.65	2	
115	*K7*	BACK-UP RING 15 X 10.6 X 1.25	2	
115	*K7*	BACK-UP RING 15 X 10.6 X 1.25	2	
116	*K7null	SMALL PUMP PISTON	1	
117	*K7null	SPRING	1	
118	K7RSDC15	DUST COVER F/ MFJ354P	1	X
119	*K7null	SPRING CAP	1	
120	K7RSRR16	RETAINING RING F/MFJ354P PUMP	1	X
121	K7RSOFS37	OIL FILL SCREW F/ MFJ35B	3	X
122	*K7null	O-RING 7.1 X 1.8	3	
123	*K7null	RELIEF VALVE BOLT	1	
124	*K7*	RELIEF VALVE SPRING	1	
125	*K7*	PLUG	1	
126	*K7*	STEEL BALL	1	
127	*K7null	HYDRAULIC BLOCK	1	
128	*K7*	CYLINDER SEAL	1	
129	*K7null	CYLINDER	1	
130	*K7*	O-RING 31 X 4.6	1	
131	*K7*	GASKET	1	
132	*K7null	RAM BEARING	1	
133	*K7null	RETAINING RING 30	1	
134	*K7null	RAM	1	

135	*K7null	CYLINDER NUT	1
136	*K7*	O-RING 29.6 X 3.5	1
137	*K7*	GASKET	1
137	*K7*	GASKET	1
138	*K7null	RESERVOIR TUBE	1
139	*K7*	GASKET	1
140	*K7*	STEEL BALL	4
141	*K7*	RELIEF VALVE SPRING	1
142	*K7*	STEEL BALL	1
143	*K7null	RELIEF VALVE BOLT	1
144	*K7*	BRASS WASHER	1