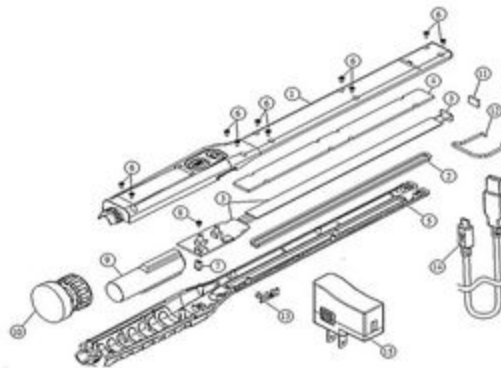


# MHHFL6000 - HANDHELD FLOOD LIGHT 600- ORG



## MHHFL600, MHHFL600G & MHHFL600G PARTS BREAKDOWN

Index No.	Part No.	Description
1	MHHFL600-BH	Base Housing
1	MHHFL600O-BH	Base Housing- Orange
1	MHHFL600G-BH	Base Housing- Green
2	MHHFL600-TL	Lens
3	MHHFL600-CCB	COB +Circuit Board
4	MHHFL600-HS	Heat Sink
5	MHHFL600-TH	Top Housing
6	MHHFL600-10S	Housing Screws (10pk)
7	MHHFL600-CLB	Charging LED Indicator- Included on Top Housing
8	MHHFL600-CBS	Screw on Circuit Board
9	MHHFL600-RB	Li-Ion Rechargeable Battery
10	MHHFL600-MB	Rotating Magnetic Base
11	MHHFL600-ML	Top Mini lens
12	MHHFL600-HK	Hook
13	MHHFL600-CS	USB Dust Cover- Included on Top Housing
14	MHHFL600-UC	USB Charging Cable
15	MHHFL600-CH	Charger



Item: MHHFL6000

Description: HANDHELD FLOOD LIGHT 600- ORG

**Notes:** he MHHFL6000 had a D warranty but is changed to an M warranty to encourage getting the repair /replacement parts in the below BOM. If the entire light is defective contact Matco Customer Service. When you contact Matco Customer Service and request an E-PostIt we written also, have a POP for the light and supply a description of what is wrong with the light. Matco Customer Service send the Epost it to Matco Engineering for resolution.

Figure No	Part Number	Description	No. Reqd	Warranty Code
-----------	-------------	-------------	----------	---------------