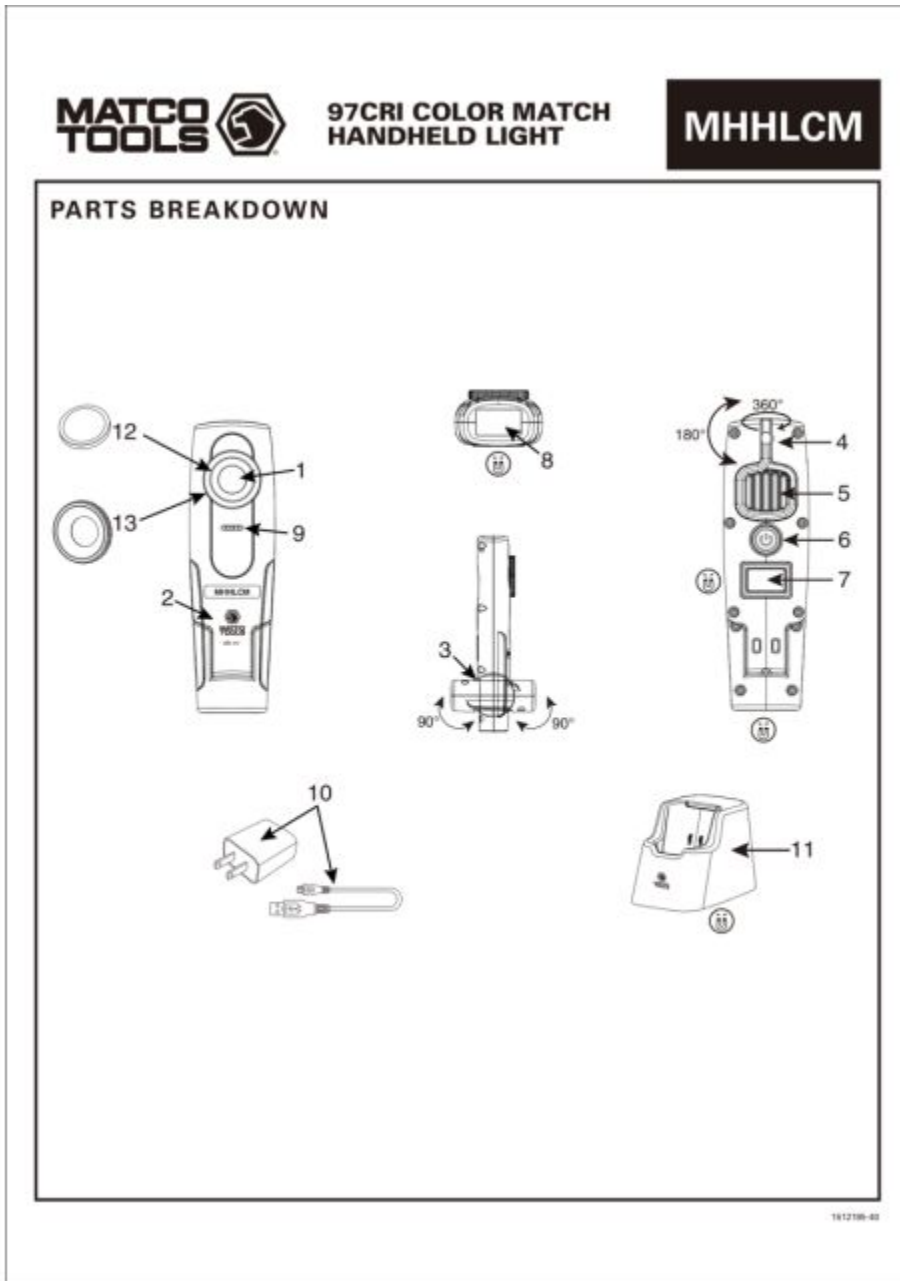


MHHLCM - 97CRI COLORMATCH HANDHELD LITE



Item: MHHLCM

Description: 97CRI COLORMATCH HANDHELD LITE

Notes: N/A

Figure No	Part Number	Description	No. Reqd	Warranty Code
1	*H150SL-01	5W HIGH CRI COB LED	1	
2	*H1MHHLCM-02	PLASTIC HOUSING	1	
3	*H1MHHLCM-03	180° ROTATABLE, LOCKABLE LAMP HANDLE FOR A FLEXIBLE LIGHT ALIGNMENT	1	
4	*H150SL04	360° ROTATABLE AND FOLDABLE HOOK	1	
5	*H150SL-05	METAL HEAT SINK	1	
6	*H150SL-06	ON AND OFF SWITCH	1	
7	*H150SL-07	MAGNET ON THE REAR OF THE HOUSING	1	
8	*H150SL-08	MAGNET ON BASE	1	
9	*H150SL-09	CHARGING / BATTERY INDICATOR	1	
10	H150SL-10	USB CABLE WITH AC / DC MAINS P	1	L
11	H1MHHLCM-11	CHARGING BASE F/MHHLCM	1	L
12	H150SL-12	LENS F/ MHHLCM	1	L
13	H150SL-13	METAL LAMP REFLECTOR	1	L