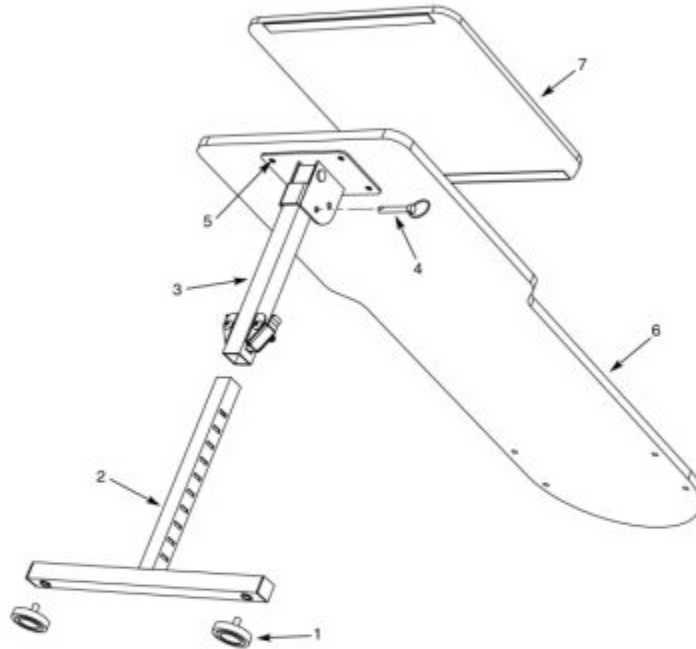


MICC - INTERIOR CAR CREEPER W. TRAY



OWNER'S MANUAL
Model No.
MICC



PARTS LIST

KEY NO.	DESCRIPTION	QTY	PART NO.
1	Leveler	1	10704.00
2	Height Adjustment Bracket	1	10705.00
3	Pivot Bracket Assembly	1	10706.00
4	Clevis Pin	1	10707.00
5	Phillips Pan Head Screw with Washer 1/4-20 x 7/8"	4	03282.01
6	Bed	1	10708.00
7	Removable Pad	1	10709.00

Item: MICC

Description: INTERIOR CAR CREEPER W. TRAY

Notes: N/A

Figure No	Part Number	Description	No. Reqd	Warranty Code
-----------	-------------	-------------	----------	---------------