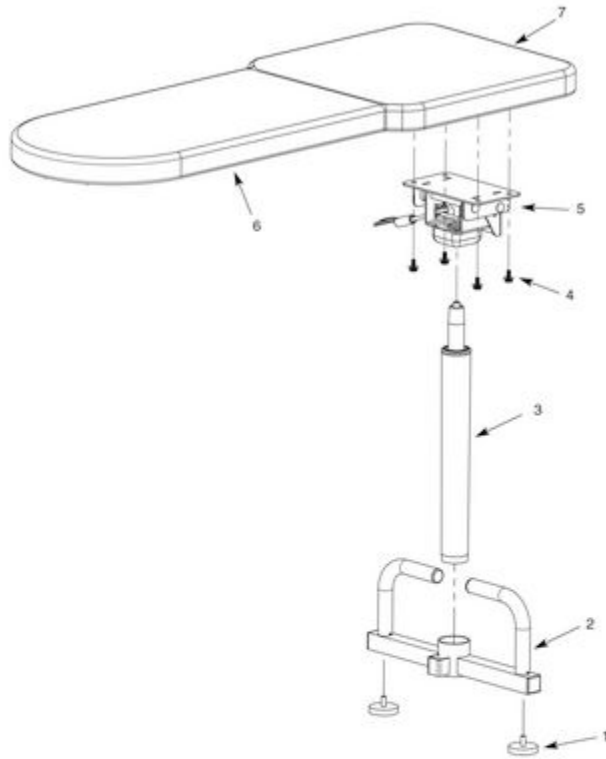


MITC - PNEUMAT TRUCK INTERIOR CREEPER



PARTS LIST

KEY NO.	DESCRIPTION	QTY.	PART NO.
1	Leveler	2	10704.00
2	Height Adjustment Bracket	1	10737.00
3	Lift Assembly	1	10738.00
4	Phillips Pan Head Screw 1/4"-20 x 7/8"	4	03282.01
5	Pivot Bracket Assembly	1	10739.00
6	Bed	1	10740.00
7	Removable Kneeling Pad	1	10708.00

Item: MITC

Description: PNEUMAT TRUCK INTERIOR CREEPER

Notes: N/A

Figure No	Part Number	Description	No. Reqd	Warranty Code
-----------	-------------	-------------	----------	---------------