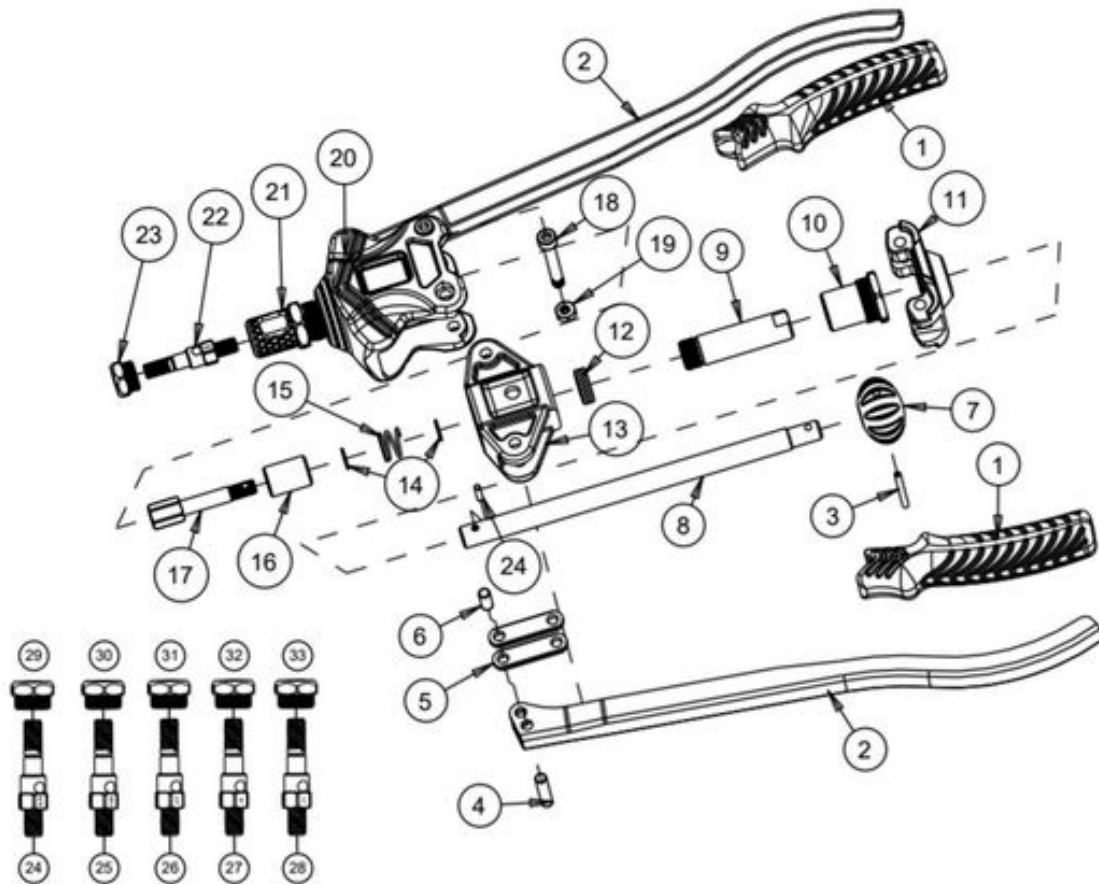


Thread Setting > MNTS15 > LARGE CAPACITY RIVET NUT KIT



Notes: OPTIONAL SIZES: 8-32: 1442-8/32A 10-32: 1442-10/32A 10-24: 1442-10-24A H11442-A32 1/4 MANDREL H11442-A33 1/4 NOSEPIECE M5: 1442-M5A M6: 1442-M6A Replacement Rivet Nuts: 5/16: RN516 3/8: RN38 M8: RN8M

Figure No	Part Number	Description	No. Reqd	Warranty Code
1	*H1MNTS15-01	HANDLE SLEEVE	2	
2	*H1MNTS15-02	HANDLE	2	
3	*H1MNTS15-03	3*32 OPEN SPRING PIN	1	

4	*H1MNTS15-04	6*25 Pin Rod	2	
5	*H1MNTS15-05	Connecting Rod	4	
6	*H1MNTS15-06	6*13 Pin Rod	2	
7	*H1MNTS15-07	REVERSING KNOB	1	
8	*H1MNTS15-08	KNOB ARM	1	
9	*H1MNTS15-09	SHORT SLEEVE	1	
10	*H1MNTS15-10	SLEEVE ROD SCREW	1	
11	*H1MNTS15-11	BODY COVER	1	
12	*H1MNTS15-12	PRESSURE BEARING	1	
13	*H1MNTS15-13	PULL ROD BASE	1	
14	*H1MNTS15-14	SPACER	2	
15	*H1MNTS15-15	SPRING	1	
16	*H1MNTS15-16	STATIONARY SLEEVE	1	
17	*H1MNTS15-17	PULL ROD	1	
18	*H1MNTS15-18	6*42 SCREW ARBOR	2	
19	*H1MNTS15-19	M6 LOOSEN NUT	2	
20	*H1MNTS15-20	Aluminum Body	1	
21	*H1MNTS15-21	Sleeve	1	
22	H11442-A02	M8 MANDREL 8MMX1.25 F/MNTS13	1	L
23	H11442-A01	M8 NOSEPIECE F/MNTS13	1	L
24	H11452-26	M10 MANDREL F/1452	1	L
24	H11452-19	PIN F/MNTS15	1	L
25	H11452-24	M12 MANDREL F/1452	1	L
26	H11442-A26	5/16-18 MANDREL F/ MNTS13	1	L
27	H11452-30	3/8-16 MANDREL F/1452	1	L
28	H11452-28	1/2-13 MANDREL F/1452	1	L
29	H11452-27	M10 NOSEPIECE F/1452	1	L
30	H11452-25	M12 NOSE PIECE F/1452	1	K
31	H11442-A27	5/16 NOSEPIECE F/MNTS15	1	D
32	H11452-31	3/8-16 NOSEPIECE F/1452	1	L
33	H11452-29	1/2-13 NOSEPIECE F/1452	1	L
