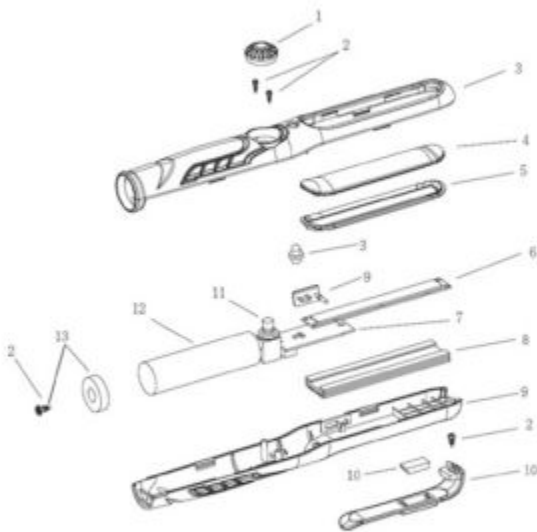


## MPLFL - POCKET DIAL FLOOD LAMP

### MPLFL- POCKET LIGHT FLOOD LAMP, 400 LUMEN



Index No.	P/N	Description	Matco's Cost
1	MPLFL-SK	Switch Knob	\$ 0.70
2	MPLFL-S	4pk. Screw	\$ 0.55
3	MPLFL-TH	Top Housing w/ Charging LED Indicator Bulb	\$ 3.25
4	MPLFL-TL	Lens	\$ 0.70
5	MPLFL-RL	Reflective Lens	\$ 1.25
6	MPLFL-CL	COB LED	\$ 11.00
7	MPLFL-CB	Circuit Board	\$ 11.75
8	MPLFL-HS	Heat Sink	\$ 1.75
9	MPLFL-BH	Base Housing w/ USB Cover	\$ 2.95
10	MPLFL-PC	Pocket Clip w/ Magnet	\$ 2.75
11	MPLFL-DC	Dimmer Controller	\$ 5.00
12	MPLFL-RB	Li-ion Rechargeable Battery	\$ 10.85
13	MPLFL-MB	Magnetic Base with Screw	\$ 3.35

Item: MPLFL

Description: POCKET DIAL FLOOD LAMP

Notes: N/A

Figure No	Part Number	Description	No. Reqd	Warranty Code
1	*AGMPLFL-SK	SWITCH KNOB	1	
2	AGMPLFL-4S	SCREWS F/MPLFL 4PK	1	X
3	AGMPLFL-TH	TOP HOUSING W/ CHARGING LED IN	1	T
4	AGMPLFL-TL	LENS FOR THE MPLFL	1	T
5	AQMPLFL-RL	REFLECTIVE LENS F/ MPLFL	1	T
6	*AGMPLFL-CL	COB LED	1	
7	AGMPLFL-CB	CIRCUIT BOARD	1	D
8	*AGMPLFL-HS	HEAT SINK	1	
9	*AGMPLFL-BS	BASE HOUSING W/ USB COVER	1	
10	AGMPLFL-PC	POCKET CLIP MAG SCREW F/ MPLFL	1	L
11	AGMPLFL-DC	DIMMER CONTROL F/ MPLFL	1	X
12	AGMPLFL-RB	BATTERY F/MPLFL	1	T
13	AQMPLFL-MB	MAGNETIC BASE WITH SCREW F/MPL	1	X