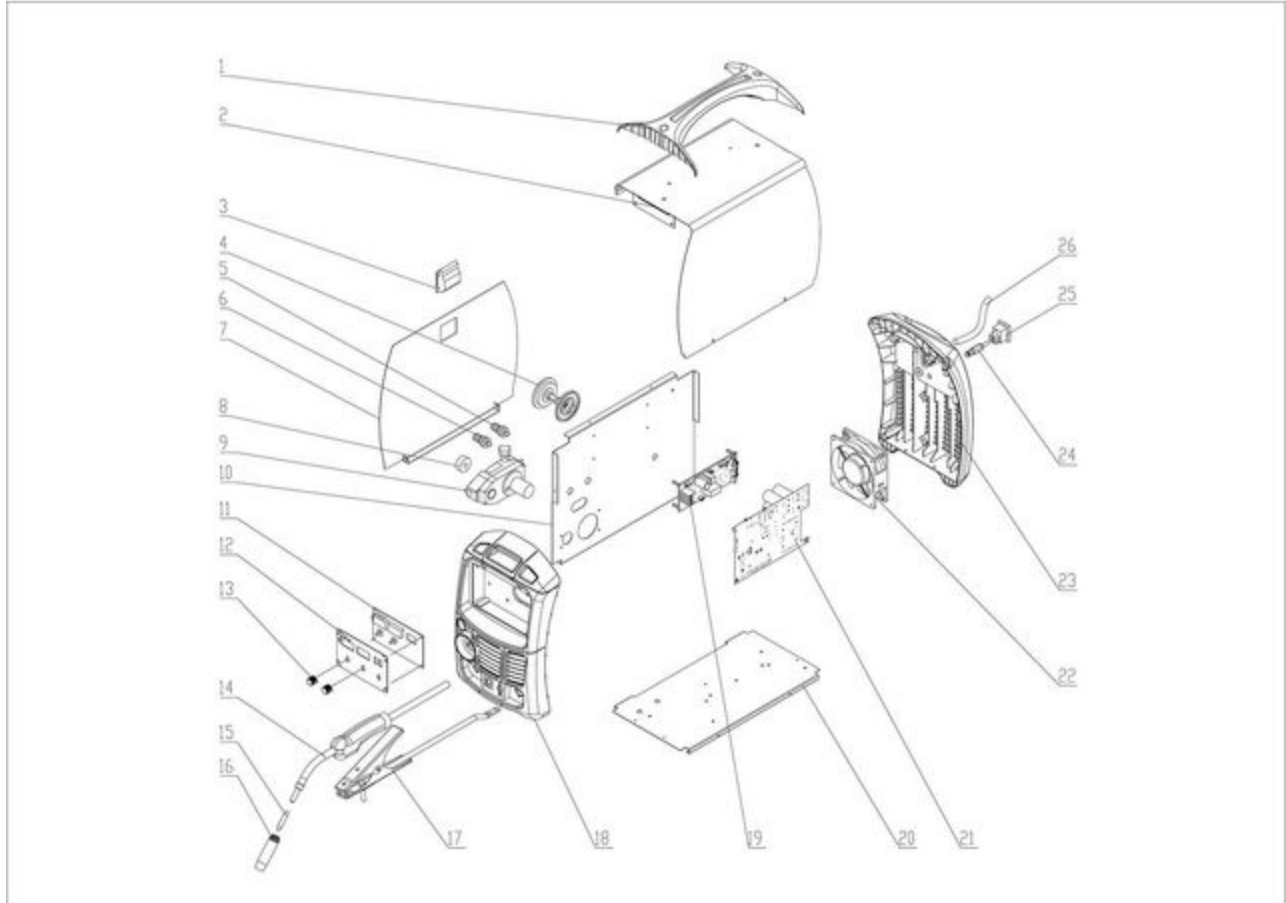


MPM175DVI - INVERTER VOLTAGE DUAL WELDER



Item: MPM175DVI

Description: INVERTER VOLTAGE DUAL WELDER

Notes: MPM175DVI - Power Unit has a 2 year Warranty* Before attempting to send for repair call Customer Service at Direct Line-920-364-0285 Office Toll Free: 888-762-4045 Ext 1003

| Figure No | Part Number | Description | No. Reqd | Warranty Code |
|-----------|--------------|----------------------------------|----------|---------------|
| 0 | MPM175DVI | INVERTER VOLTAGE DUAL WELDER | 1 | M |
| 1 | *JY105200255 | HANDLE | 1 | |
| 2 | *JY165200026 | ENCLOSURE | 1 | |
| 2 | *JY165200026 | ENCLOSURE | 1 | |
| 2 | *JY165200028 | MATCO HELP LABEL | 1 | |
| 2 | *JY105200041 | WARNING LABEL MIG | 1 | |
| 3 | *JY105200080 | DOOR LATCH | 1 | |
| 4 | JY105200009 | SPOOL HOLDER | 1 | |
| 5 | *JY105200242 | WELD OUTPUT CONNECTOR - POSITIVE | 1 | |
| 6 | *JY105200241 | WELD OUTPUT CONNECTOR - NEGATIVE | 1 | |
| 7 | *JY165200027 | DOOR | 1 | |
| 8 | *JY165200033 | WELD SET-UP CHART MMPM175DVI | 1 | |
| 9 | *JY105200198 | WIRE DRIVE ASSEMBLY | 1 | |
| 10 | *JY105200263 | CENTER PANEL | 1 | |
| 11 | *JY105800042 | FRONT PANEL PC BOARD | 1 | |
| 12 | *JY105200066 | FRONT PANEL SUPPORTS | 1 | |
| 12 | *JY106200034 | FRONT NAMEPLATE MPM175DVI | 1 | |
| 13 | *JY105200188 | POTENTIOMETER KNOB | 1 | |
| 14 | *JY105200434 | MIG TORCH | 1 | |
| 15 | JYMAT1123 | .023 CONTACT TIP F/MP140/MP240 | 1 | X |
| 15 | JYMAT1135 | .035 CONTACT TIP F/MP140/242 | 1 | X |
| 15 | JYMAT1130 | .030 CONTACT TIP F/ MP140/241 | 1 | X |
| 16 | JY105200238 | MIG CONTACT TIP ADAPTER F/ MPM | 1 | X |
| 16 | JYMATMN | MIG NOZZLE F/MP140/MP240 | 1 | X |
| 17 | *JY105200199 | GROUND CABLE AND CLAMP | 1 | |
| 17 | *JY105200042 | GROUND CLAMP ONLY | 1 | |
| 18 | *JY105500253 | FRONT PLASTIC BEZEL | 1 | |
| 19 | *JY105200436 | CONTROL PC BOARD | 1 | |
| 20 | *JY105200054 | BOTTOM | 1 | |
| 21 | *JY105200438 | MAIN PC BOARD | 1 | |
| 22 | *JY105200439 | FAN | 1 | |
| 23 | *JY105200260 | BACK PLASTIC BEZEL | 1 | |

| | | | | |
|----|--------------|-----------------------------|---|---|
| 24 | JY105200266 | GAS FITTING F/ MPM140I | 1 | X |
| 25 | JY105200046 | POWER SWITCH | 1 | L |
| 26 | *JY105200212 | 120V POWER CORD ADAPTER | 1 | |
| 26 | *JY105200442 | INPUT POWER CORD | 1 | |
| 26 | *JY165200035 | OPERATOR'S MANUAL MPM175DVI | 1 | |