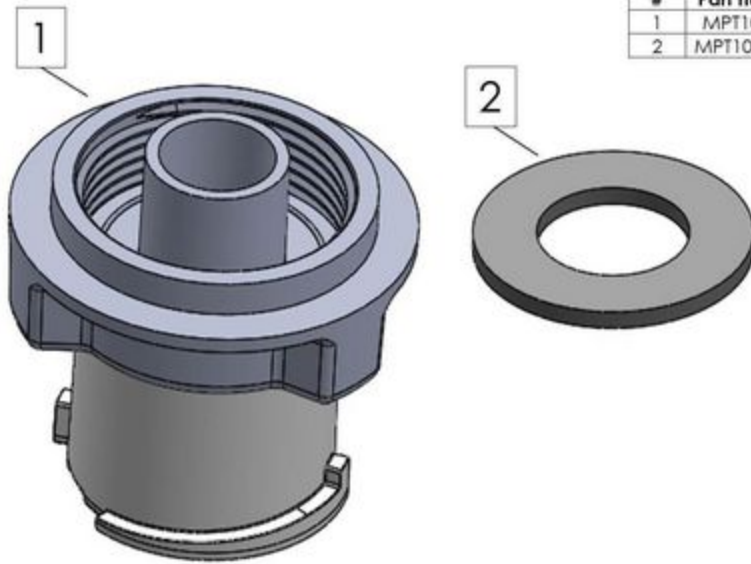


MPT10032P - COOLING SYSTEM ADAPTER

**MPT10032P**



#	Part number	Description
1	MPT10032P	Adapter
2	MPT10032PG	1-7/8" OD x 1-1/16" ID x 1/8" thick gasket

Item: MPT10032P

Description: COOLING SYSTEM ADAPTER

Notes: N/A

Figure No	Part Number	Description	No. Reqd	Warranty Code
-----------	-------------	-------------	----------	---------------