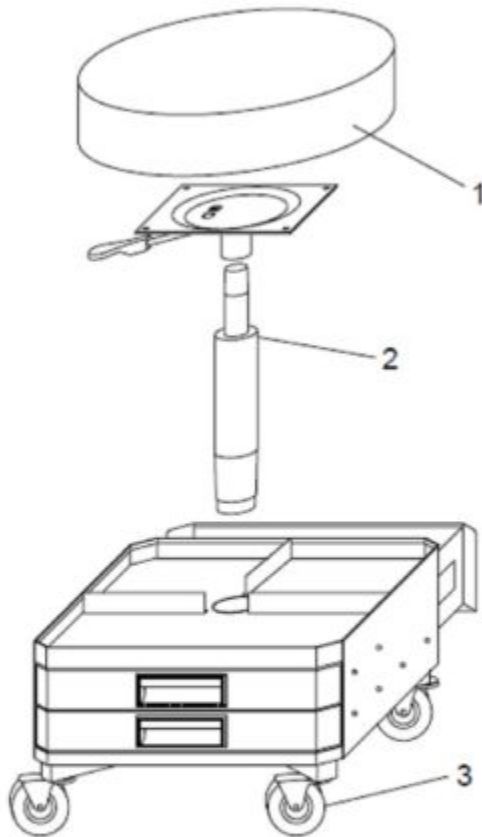


MS15 - MECHANICS SEAT WITH DRAWERS



Item: MS15

Description: MECHNICS SEAT WITH DRAWERS

Notes: MS15 warranty has been changed to M warranty to prevent the whole set from being warrantied rather than individual parts that could be replaced. See the Parts Manual for available replacement parts prior to contacting the supplier or attempting to warranty the entire set. Have Proof of Purchase and any pictures showing the issue with the tool available when contacting the Supplier. Should the entire tool need to be sent for warranty contact the Supplier at Off: 816-891-6390 ext 155.

Figure No	Part Number	Description	No. Reqd	Warranty Code
1	Q3MS15-A	SEAT F/MS15	1	B
2	Q3MS15-B	CYLINDER F/MS15	1	B
3	Q3C3100-1	CASTER F/MS15-C	4	B
4	Q3MS15-D	CYLINDER PLATE F/ MS15	1	B