

# OWNER'S MANUAL

Model No.  
**MS396**

Save This Manual For Future Reference

## MULTI-PURPOSE STOOL

### DESCRIPTION

Multi-Purpose Stool is ideal for work surfaces from 29-37". Seat is 14" diameter x 3½" thick, upholstered vinyl fabric over foam. Seat provides comfort, strength and easy maintenance. Seat control with pneumatic lift will adjust the seat height from 20½ - 28" and has a 360° rotation. Base is a 24" diameter molded nylon piece with 2" non-marking casters.

### ASSEMBLY INSTRUCTIONS

Read these instructions before starting; follow assembly procedures carefully.

1. Install casters (Key No. 1) into each of the legs of the base (Key No. 2). Be sure each caster is completely inserted into leg for proper stability.
2. Insert the lift assembly (Key No. 3) into base with tapered-end down. Secure lift assembly by applying a little downward pressure. Remove yellow plastic cap from top of lift assembly. **DO NOT PUSH ON BUTTON AT THE TOP!**
3. Install seat with control assembly (Key Nos. 6 and 7) by aligning hole on the underside with the shaft of lift assembly. Push down firmly on seat.
4. When sitting on seat, pull up on seat handle to lower seat. To raise seat, remove weight from seat and pull up on seat handle.

### GENERAL SAFETY INSTRUCTIONS

1. Do not stand on seat.
2. Stool must be on level surface to ensure proper stability.
3. Only use stool when fully assembled.
4. Periodically check fasteners and tighten securely if needed.
5. Never use stool if it does not perform according to this manual.

### MAINTENANCE

Pneumatic lift in lift assembly is permanently lubricated at factory and needs no further lubrication. **Never lubricate pneumatic lift.** Do not remove clip from bottom of lift assembly. Contact Matco Tools immediately if clip is missing or damaged.

### INDUSTRIAL SEATING LIMITED WARRANTY

Product is warranted against mechanical or structural failure due to defective material or workmanship for 1 year. Provided however, this warranty lasts only so long as you own your product. If you sell or otherwise transfer the product this warranty terminates automatically. Products that are damaged or made unserviceable by accidents, abuse, misuse or are altered in anyway are not covered by this warranty.

Matco Tools reserves the right to replace or recondition at its option, any units covered by this warranty. All return shipments require Material Return Authorization and must be freight prepaid unless otherwise approved in writing.

If any product covered under this warranty fails to meet the terms of this warranty or it is in any respect broken, defective or missing parts, please call us immediately at toll free 1-866-289-8665. Any attempts to make unauthorized repairs will void this warranty in every respect.

This warranty gives you specific legal rights. You may have other rights which vary from state to state, however such implied rights are limited to a period of one year from the date of your initial purchase. Some states do not allow limitations on how long an implied warranty lasts, so the above limitation may not apply to you.

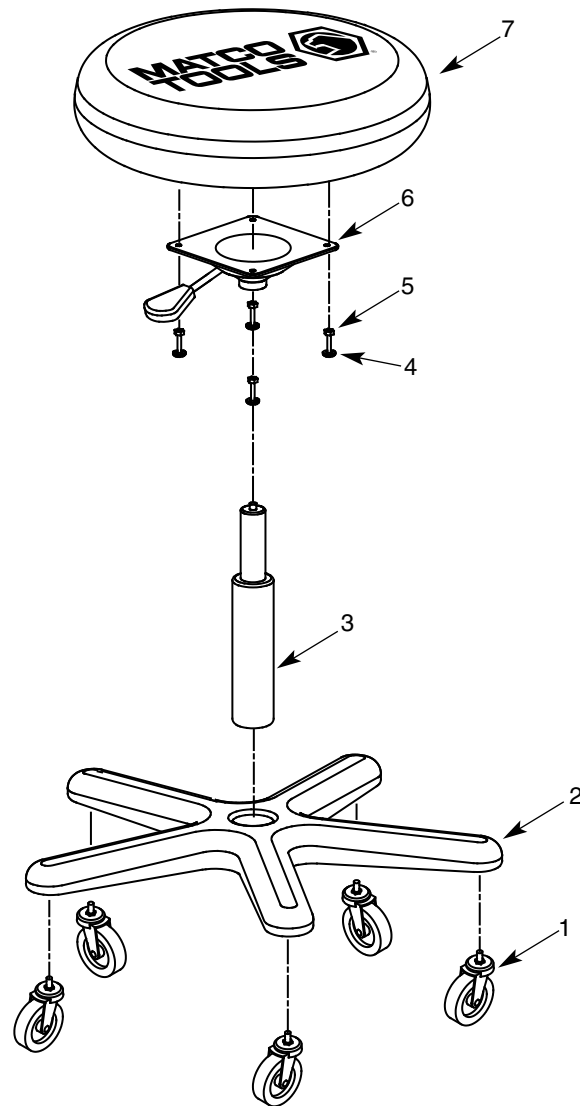
Matco Tools will in no event be liable for incidental or consequential damages for any amount in excess of the original purchase price. Some states do not allow exclusion or limitation of such damages, so the above limitation or exclusion may not apply to you.

#### HOW TO ORDER REPAIR PARTS

When ordering repair parts or reporting problems, always give the following information:

NAME OF ITEM	MODEL NUMBER
Multi-Purpose Stool	MS396
PART DESCRIPTION	PART NUMBER

All parts listed may be ordered from Matco Tools® Customer Service at 1-866-289-8665.



## PARTS LIST

KEY NO.	DESCRIPTION	QTY	PART NO.
1	Caster	5	10344.00
2	Base	1	10047.00
3	Lift Assembly	1	01549.00
4	1/4"-20 x 1" Phillips Pan Head Screw	4	10295.00
5	1/4" Flat Washer	4	06629.00
6	Control Assembly	1	10296.00
7	Seat	1	10297.40
	<b>Optional Accessory</b> Glide ( <i>five glides required</i> )	1	01545.00