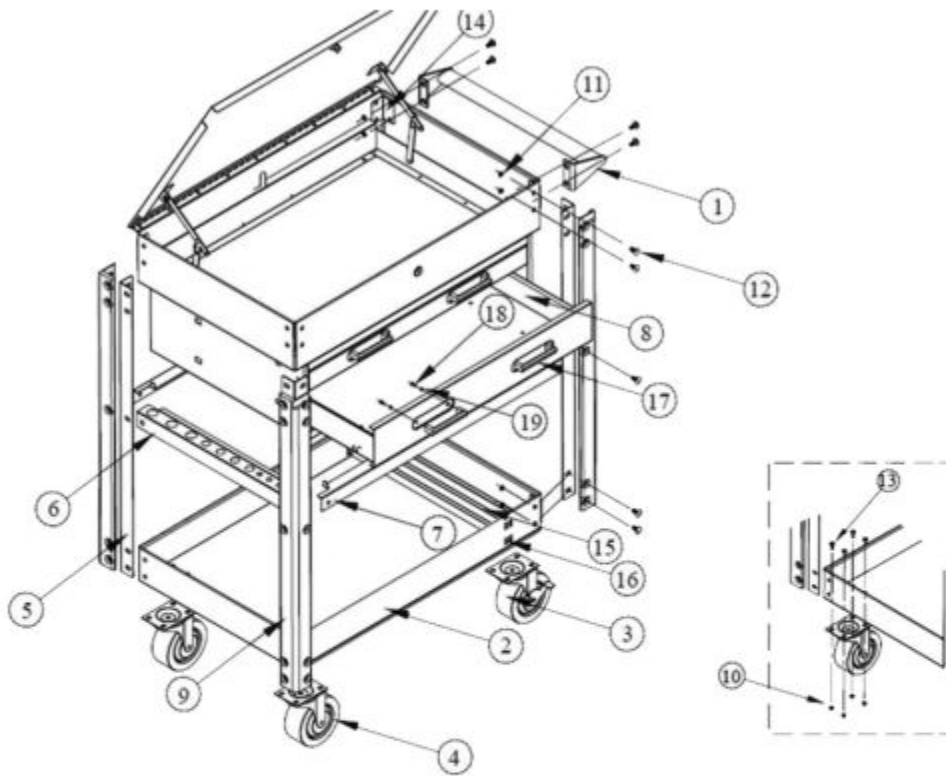


MSC2-BK - TWO DRAWER SERVICE CART BLACK



No.	Part #	Description	Qty.	No.	Part #	Description	Qty.
①	EX1201	Handle	1	⑩	EX1211	Nut M8	40
②	EX1202	Bottom Tray	1	⑪	EX1212	Stove Bolt M8x16	40
③	EX1203	Swivel Caster (with Brake)	2	⑫	EX1213	Bolt M8x16	16
④	EX1204	Swivel Caster (without Brake)	2	⑬	EX1214	Bracket	8
⑤	EX1205	Column	4	⑭	EX1215	Divider	1
⑥	EX1206	Pry Bar Holder	2	⑮	EX1216	Divider Holder	2
⑦	EX1207	Beam	2	⑯	EX1217	Drawer Handle	4
⑧	EX1208	Drawer Set	1	⑰	EX1218	Screw M4x8	8
⑨	EX1209	Bumper	4	⑱	EX1219	Washer M4	8
⑩	EX1210	Nut M8	16				

Item: MSC2-BK

Description: TWO DRAWER SERVICE CART BLACK

Notes: EX1216-BK is built into the bottom tray (EX1202-BK). EX1220-BK - Black MSC2 Top Lid Plus Rivets

Figure No	Part Number	Description	No. Reqd	Warranty Code
0	EXMSC2MAT	DRAWER LINER KIT	1	X
0	EXLH-LEFT	LEFT LID HINGE	1	X
0	EXLH-RIGHT	RIGHT LID HINGE	1	X
0	EX1220-BK	BLACK MSC2 TOP LID PLUS RIVETS	1	X
0	EX1221	LATCH FOR MSC2LOCK	1	X
0	EXRBS	ROLLER BEARING SLIDE KIT	2	X
0	EXLOCK	LOCK W/ 2 KEYS	1	X
1	EX1201-BK	BLACK SIDE HANDLE F/MSC2-BK	1	X
3	EXSWCSL	LOCKING SWIVEL CASTER	2	X
3	EXSWCSL	LOCKING SWIVEL CASTER	2	X
3	EXSWCSL	LOCKING SWIVEL CASTER	2	X
4	EXSWCS	SWIVEL CASTER	2	X
5	EX1205-BK	BLACK COLUMN F/MSC2	4	X
6	EX1206-BK	BLACK PRY BAR HOLDER F/MSC2	2	X
7	EX1207-BK	BLACK BEAM F/MSC2	2	X
8	EX1208-BBK	BLACK BOTTOM DRAWER F/MSC2	1	X
8	EX1208-ABK	BLACK TOP DRAWER FOR MSC2	1	X
9	EX1209-B	FRT RIGHT (B) BUMPER FOR MSC2	1	X
9	EX1209-D	REAR RIGHT (D) BUMPER FOR MSC2	1	X
9	EX1209-C	FRT LEFT (C) BUMPER FOR MSC2	1	X
9	EX1209-A	REAR LEFT (A) BUMPER FOR MSC2	1	X
10	EX1210	NUT 1 M8	16	X
11	EX1211	NUT 2 M8	40	X
12	EX1212	STOVE BOLT M8 X 16	40	X
13	EX1213	BOLT M8 X 16	16	X
14	EX1214-BK	BLACK BRACKET	8	X
15	EX1215-BK	BLACK DIVIDER F/MSC2	1	X
17	EX1217	DRAWER HANDLE	4	X
18	EX1218	SCREW M4 X 8	8	X
19	EX1219	WASHER M4	8	X