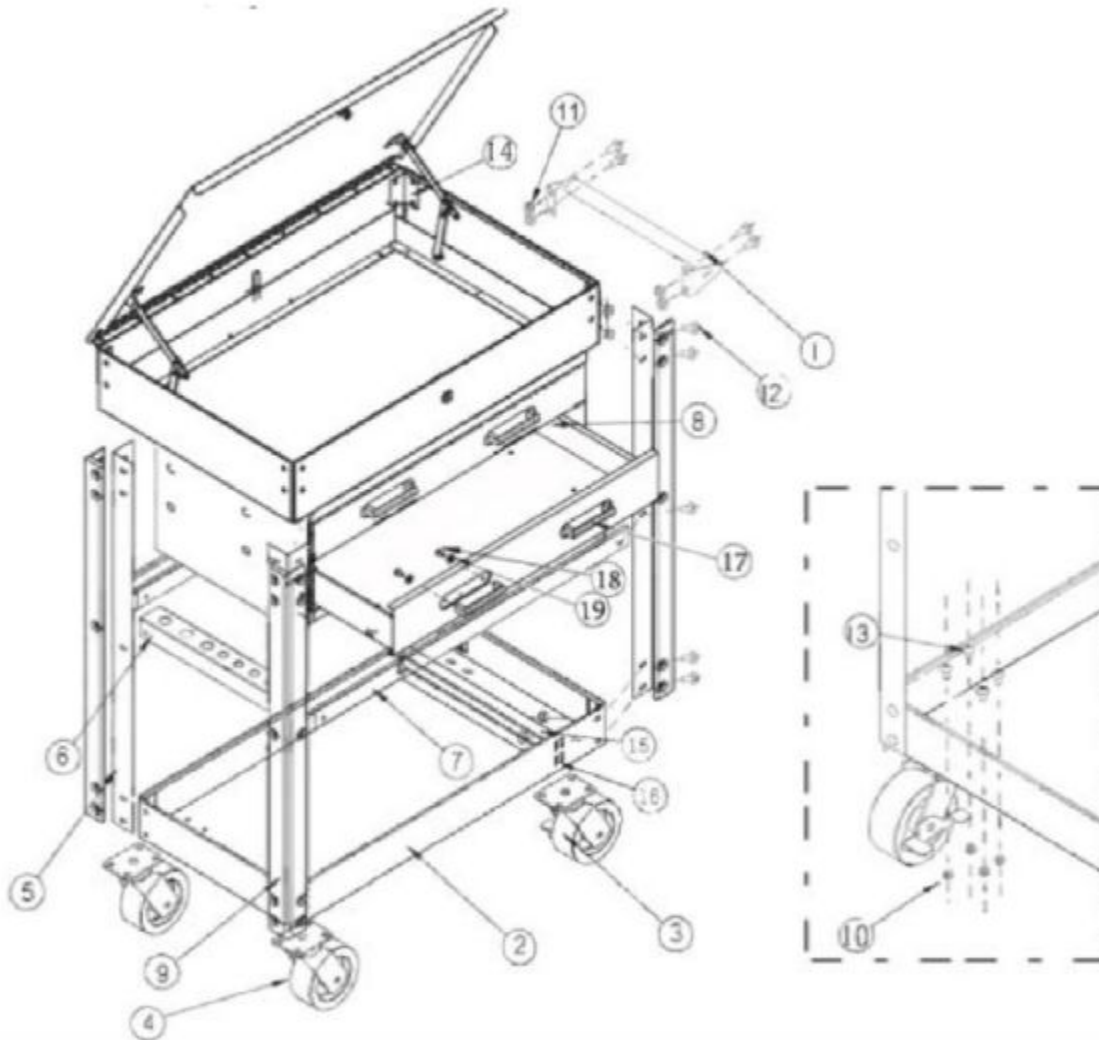


MSC2-R - TWO DRAWER SERVICE CART RED



Item: MSC2-R

Description: TWO DRAWER SERVICE CART RED

Notes: EX1216 is built into the bottom tray (EX1202).

Figure No	Part Number	Description	No. Reqd	Warranty Code
0	EX1220	RED MSC2 TOP LID PLUS RIVETS	1	X
0	EXRBS	ROLLER BEARING SLIDE KIT	2	X
0	EXLH-RIGHT	RIGHT LID HINGE	2	X
0	EXLOCK	LOCK W/ 2 KEYS	1	X
0	EXLH-LEFT	LEFT LID HINGE	1	X
0	EX1221	LATCH FOR MSC2LOCK	1	X
0	EXMSC2MAT	DRAWER LINER KIT	1	X
1	EX1201	RED SIDE HANDLE	1	X
2	EX1202	RED BOTTOM SHELF F/MSC2	1	X
3	EXSWCSL	LOCKING SWIVEL CASTER	2	X
4	EXSWCS	SWIVEL CASTER	2	X
5	EX1205	RED COLUMN	4	X
6	EX1206	RED PRY BAR HOLDER	2	X
7	EX1207	RED BEAM	2	X
8	EX1208-A	RED TOP DRAWER FOR MSC2	1	X
8	EX1208-B	RED BOTTOM DRAWER FOR MSC2	1	X
9	EX1209-A	REAR LEFT (A) BUMPER FOR MSC2	1	X
9	EX1209-C	FRT LEFT (C) BUMPER FOR MSC2	1	X
9	EX1209-D	REAR RIGHT (D) BUMPER FOR MSC2	1	X
9	EX1209-B	FRT RIGHT (B) BUMPER FOR MSC2	1	X
10	EX1210	NUT 1 M8	16	X
11	EX1211	NUT 2 M8	40	X
12	EX1212	STOVE BOLT M8 X 16	40	X
13	EX1213	BOLT M8 X 16	16	X
14	EX1214	RED BRACKET	8	X
15	EX1215	RED DIVIDER	1	X
17	EX1217	DRAWER HANDLE	4	X
17	EX1217	DRAWER HANDLE	4	X
18	EX1218	SCREW M4 X 8	8	X
19	EX1219	WASHER M4	8	X