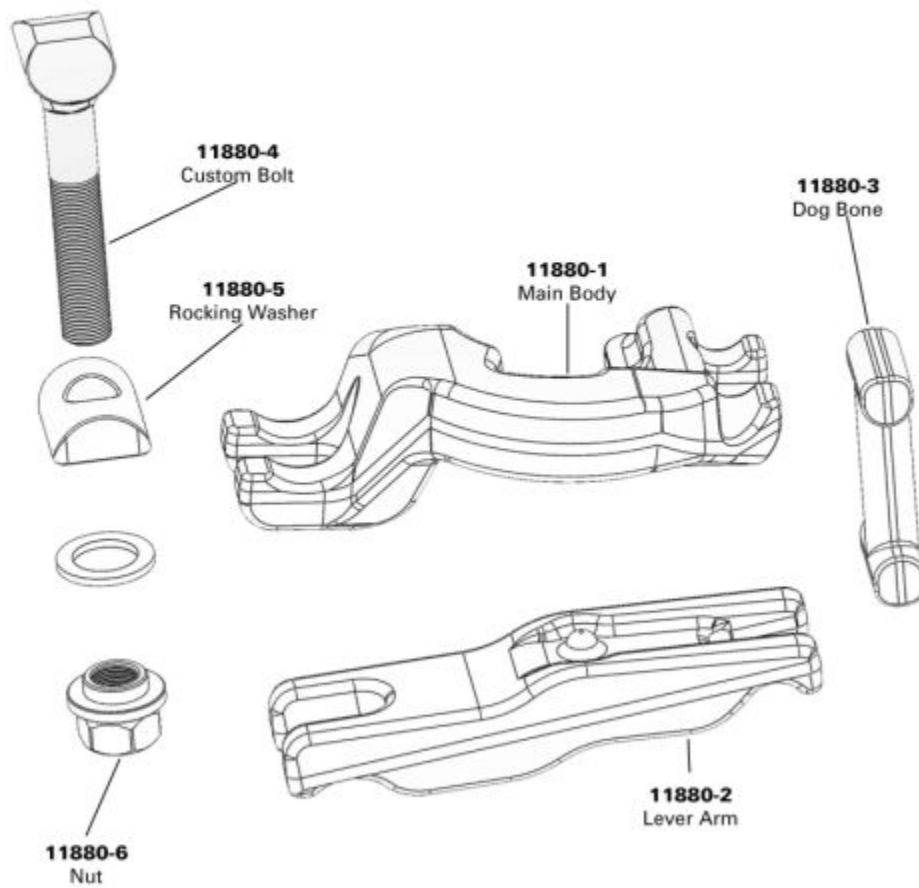


MST11880 - PITMAN ARM REMOVER



MST11880



Item: MST11880

Description: PITMAN ARM REMOVER

Notes: The washer shown in this diagram for the 11880 is a Bronze Thrust Washer (1" ID x 1.5" OD). The reason it is not identified with a part number is because it's a standard off-the-shelf hardware item available from most hardware suppliers.

Figure No	Part Number	Description	No. Reqd	Warranty Code
1	*TG11880-1	MAIN BODY	1	
2	*TG11880-2	LEVER ARM	1	
3	*TG11880-3	DOG BONE	1	
4	*TG11880-4	CUSTOM BOLT	1	
5	*TG11880-5	ROCKING WASHER	1	
6	*TG11880-6	NUT	1	