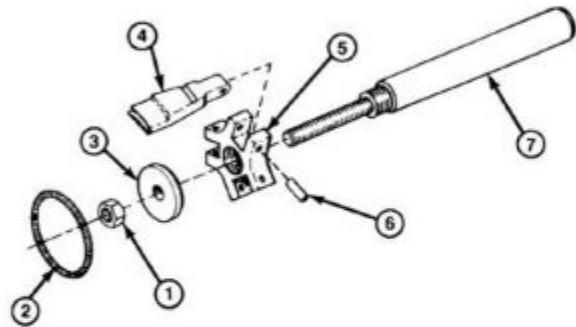


MST7180 - UNIV. BEARING CUP INSTALLER

Universal Bearing Cup Installer

Capacity: 3-5/8" O.D. – 6-1/2" O.D.

Item No.	Part No.	No. Req'd	Description
1	10213	1	Hex Nut (5/8-18)
2	207561	1	Extension Spring
3	210583	1	Expander
4	52038	3	Jaw
5	305130	1	3 Way Head
6	209624	3	Pin
7	305129	1	Handle
8	209963	1	Decal (not shown)



WARNING: Wear eye protection that meets the requirements of ANSI Z87.1 and OSHA.

Item: MST7180

Description: UNIV. BEARING CUP INSTALLER

Notes: 209963 Not shown in diagram

Figure No	Part Number	Description	No. Reqd	Warranty Code
1	FU10213	HEX NUT	1	F
2	FU207561	SPRING	1	B
3	FU210583	EXPANDER	1	B
4	FU52038	JAW	3	B
5	*FU305130	3 WAY HEAD	1	
6	FU209624	PIN, COILED TYPE	3	F
7	FU305129	HANDLE	1	B