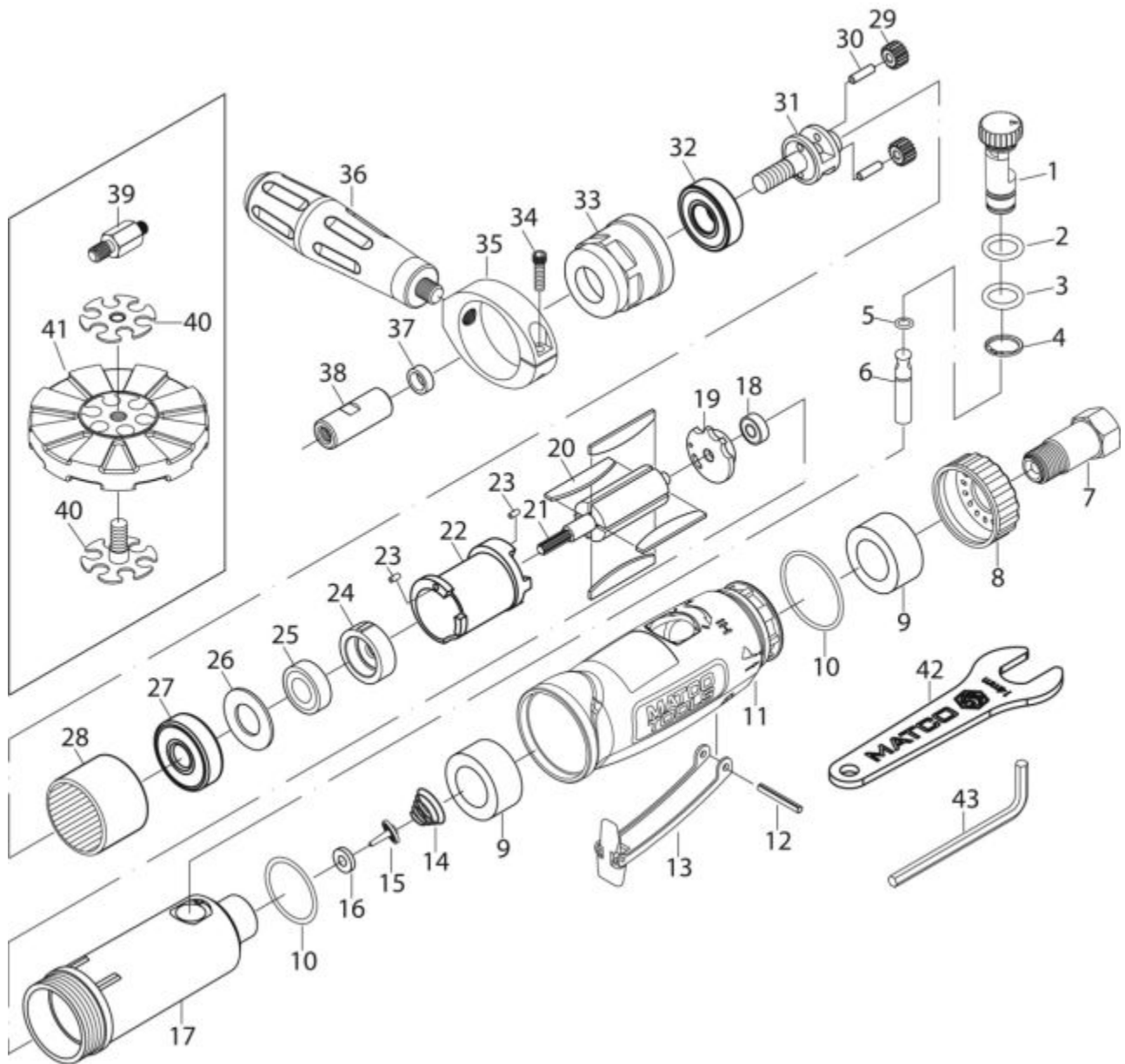


MT1415 - PIN STRIPE REMOVAL TOOL



Item: MT1415

Description: PIN STRIPE REMOVAL TOOL

Notes: *3M is a registered trademark.

Figure No	Part Number	Description	No. Reqd	Warranty Code
1	*K7RS288701	REGULATOR	1	
2	K7RS288302	O RING F/MT2880L,MT2885	1	X
3	K7RS315B03	O RING F/SE305B	1	X
4	K7RS288304	SNAP RING F/MT2880L,MT2885	1	X
5	K7RS246002	O RING F/VALVE STEM F/MT2460	1	X
6	K7RS315B06	VALVE STEM F/ SE315	1	X
7	K7RS315B07	INLET BUSHING F/ SE315B	1	X
8	K7RS315B08	EXHAUST DEFLECTOR F/SE315B	1	X
9	*K7RS315B09	SILENCER	2	
10	*K7RS315B10	O-RING (S34)	2	
11	K7RS288711A	PROTECTING RUBBER F/ MT2887A	1	X
12	*K7RS820R16	PIN (3X25L)	1	
13	K7RS315B13	LEVER FOR SE315	1	X
14	*K7RS820R13	SPRING	1	
15	K7RS315B15	VALVE	1	X
16	*K7RS820R15	WASHER	1	
17	K7RS315B17	HOUSING F/SE315B	1	X
18	K7RS30516	BALL BEARING 1884,1884R,RL305A	1	X
19	K7RS31517	REAR PLATE FOR SE315K	1	X
20	K7RS31519	ROTOR BLADES F/SE315	4	X
21	*K7315B21	ROTOR	1	
22	*K7RS315B22	CYLINDER	1	
23	*K7RS31518	PIN (2.5X6L)	2	
24	K7RS31523	FRONT PLATE FOR SE315K	1	X
25	K796129	BALL BEARING	1	X
26	K7RS31525	WASHER F/ SE315	1	X
27	K7RS227B25	BALL BEARING MT1430,MT1450,60	1	X
28	K7RS31526	GEAR LINK	1	X
29	K7RS31527	GEAR	2	X
30	K7RS31528	IDLER GEAR PIN	2	X
31	K7RS31530	GEAR PLATE F/ SE315	1	X
32	K7RS29120	BEARING F/MT1810	1	X
33	*K7RS315B33	CLAMP NUT	1	

34	K7RS31540	SCREW F/SE315K	1	X
35	K7RS31536	RETAINER F/SE315A	1	X
36	K7RS31538	HANDLE F/SE315KA	1	X
37	K7RS31533	WASHER F/ SE315EP	1	X
38	K7RS31534	SHAFT F/SE315K	1	X
39	K7RS31537	MALE END ADAPTER FOR 3M PAD	1	X
40	K7RS31543	ERASER PAD HOLDER F/SE315K	2	X
41	SE315EP	(2)ERASER PAD FOR SE315	2	T
42	K7RS315B42	STOP SPANNER/HEX WR F/SE315	1	X
43	*K7RS31539	HEX WRENCH (4MM)	1	
44	*K7RSMT1415WL	NOT SHOWN - PRODUCT WARNING LABEL	1	