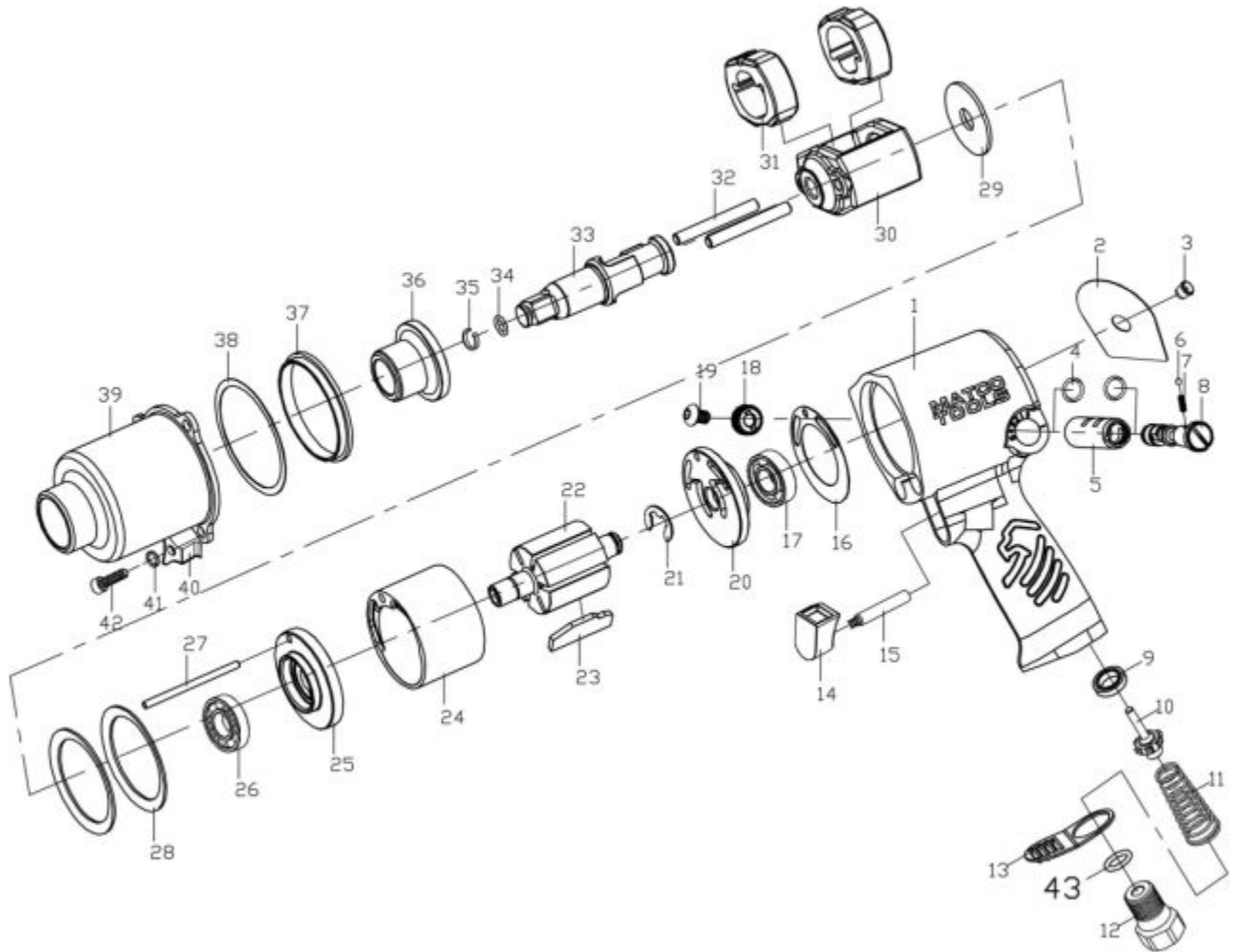


MT1712 - 1/2" IMPACT WRENCH



Item: MT1712

Description: 1/2" IMPACT WRENCH

Notes: N/A

Figure No	Part Number	Description	No. Reqd	Warranty Code
1	K7RS708A01M	HOUSING ASSEMBLY F/MT1712	1	X
2	K7RS708A02M	NAME PLATE F/MT1712	1	X
3	K7RS708A03	GREASE FITTING F/MT1712	1	X
4	K7RS708A04	O RING F/MT1712	2	X
5	K7RS708A05	REV VALVE SLEEVE F/MT1712	1	X
6	K7RS708A06	DETENT BALL F/MT1712	1	X
7	K7RS708A07	DETENT SPRING F/MT1712	1	X
8	K7RS708A08	REV VALVE F/MT1712	1	X
9	K7RS708A46	VALVE SEAT F/MT1712	1	X
10	K7RS708A47	THROTTLE VALVE F/MT1712	1	X
11	K7RS708A48	SPRING VALVE F/MT1712	1	X
12	K7RS708A49	INLET BUSHING F/MT1712	1	X
13	K7RS708A50	EXHAUST DEFLECTOR F/MT1712	1	X
14	K7RS708A51	TRIGGER F/MT1712	1	X
15	K7RS708A52	TRIGGER SHAFT F/MT1712	1	X
16	K7RS708A18	REAR GASKET F/MT1712	1	X
17	K7RS708A19	REAR BEARING F/MT1712	1	X
18	K7RS708A20	KNOB REV VALVE F/MT1712	1	X
19	K7RS708A21	SCREW F/MT1712	1	X
20	K7RS708A22	REAR END PLATE F/MT1712	1	X
21	K7RS708A23	E RING F/MT1712	1	X
22	K7RS708A24	ROTOR F/MT1712	1	X
23	K7RS708A25	ROTOR BLADE 6PK F/MT1712	1	X
24	K7RS708A26	CYLINDER F/MT1712	1	X
25	K7RS708A27	FRONT END PLATE F/MT1712	1	X
26	K7RS708A28	FRONT BEARING F/MT1712	1	X
27	K7RS708A29	CYLINDER DOWEL PIN F/MT1712	1	X
28	K7RS708A30	MOTOR CLAMP WASHER F/MT1712	2	X
29	K7RS708A31	WASHER F/MT1712	1	X
30	K7RS708A32	HAMMER FRAME F/MT1712	1	X
31	K7RS708A33	HAMMER F/MT1712	2	X
32	K7RS708A34	HAMMER PIN F/MT1712	2	X
33	K7RS708A35	STANDARD ANVIL ASMBLY F/MT1712	1	X

34	K7RS708A12	O RING F/MT1712	1	X
35	K7RS708A36	SOCKET RETAINER RING F/MT1712	1	X
36	K7RS708A37	ANVIL BUSHING F/MT1712	1	X
37	K7RS708A38	PROTECTION RING F/MT1712	1	X
38	K7RS708A39	FRONT GASKET F/MT1712	1	X
39	K7RS708A40	HAMMER CASE ASSEMBLY F/MT1712	1	X
40	K7RS708A53	TRIGGER RETAINER F/MT1712	1	X
41	K7RS708A41	SPRING WASHER F/MT1712	3	X
42	K7RS708A42	CAP SCREW F/MT1712	3	X
43	K7RS708A54	O RING F/MT1712	1	X
44	K7RS708A55	WARNING LABEL F/MT1712	1	X