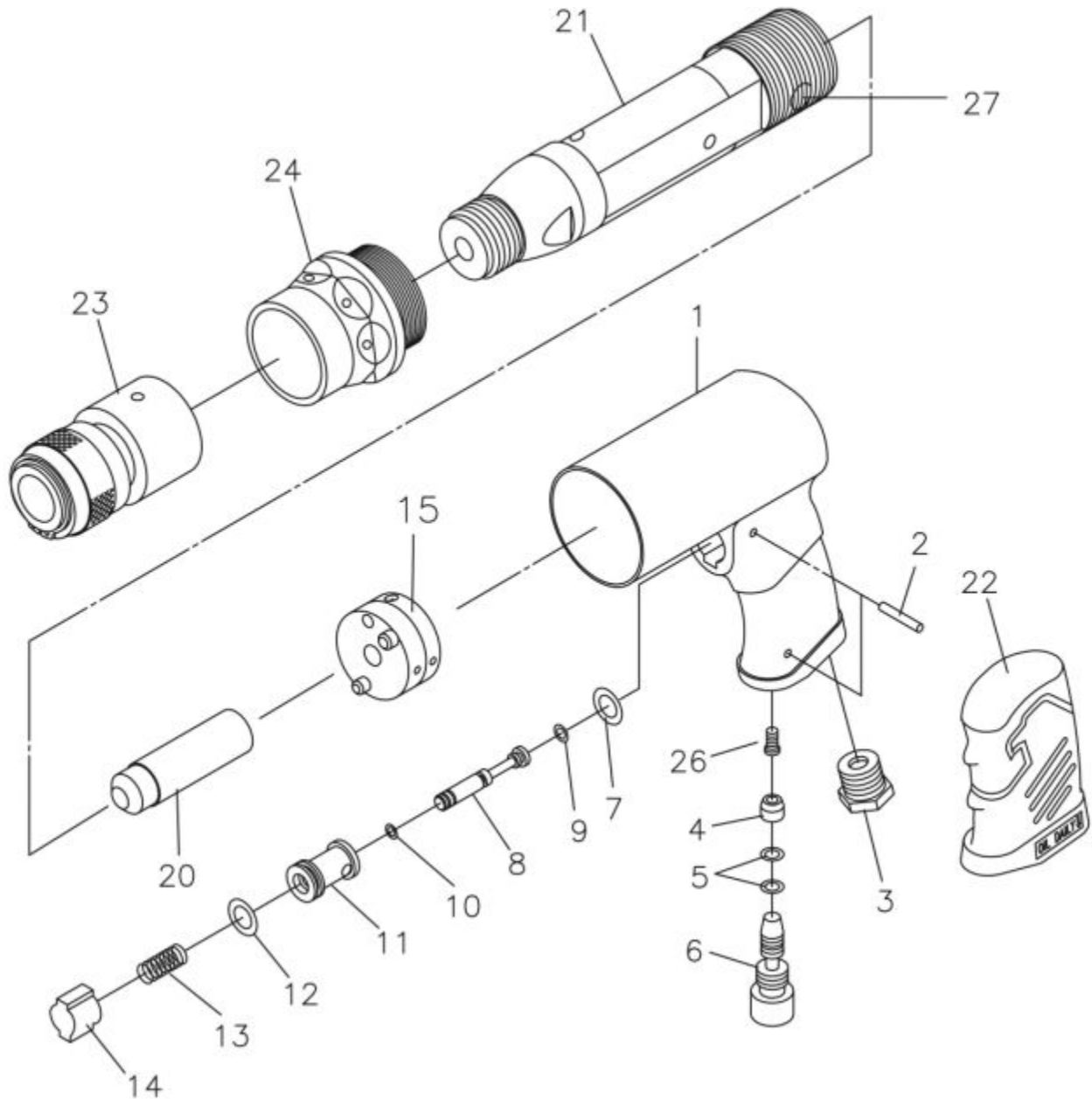


MT1724 - AIR HAMMER



Item: MT1724

Description: AIR HAMMER

Notes: MT1724K Includes (Not shown): MT1724 - 250mm Air Hammer MC390B - 4" Length Hammer MC302B - 6" Cold Chisel with a 5/8" Tip MC306A - 6" Slotted Panel Cutter MC384A - 6" Taper Point with a 3/8" Point MC401A - 6" Multi Purpose Scraper with a 1-1/8" Tip Molded Case

Figure No	Part Number	Description	No. Reqd	Warranty Code
1	K7RS171801	HOUSING F/MT1718	1	X
2	K7RS848002	ROLL PIN F/MT1718	2	X
3	K7RS848003	INLET BUSHING F/RL900,MT1718	1	X
4	K7RS848004	CAP F/RL900,RL910,MT1718	1	X
5	K7RS848005	O-RING F/RL900,MT1718	2	X
6	K7RS848006	REGULATOR F/RL900,MT1718	1	X
7	K7RS848007	O-RING F/RL910,MT1718	1	X
8	K7RS848008V	VALVE STEM F/RL910,MT1718	1	X
9	K7RS848009	O-RING F/RL900,MT1718	1	X
10	K7RS848010	O-RING F/RL910,MT1718	1	X
11	K7RS848011	VALVE BUSHING F/RL910,MT1718	1	X
12	K7RS848012	O-RING F/RL900,MT1718	1	X
13	K7RS848013	SPRING F/RL900,RL910,MT1718	1	X
14	K7RS171814	TRIGGER BUTTON F/MT1718	1	X
15	K7RS181112	VALVE BLOCK F/SE906/SE916	1	X
20	K7RS848019	PISTON F/RL910,MT1718	1	X
21	K7RS172421	CYLINDER F/ MT1724 AIR HAMMER	1	X
22	K7RS171822	COMFORT GRIP F/MT1718	1	X
23	MTCR2	UNIVERSAL CHISEL RETAINER	1	D
24	K7RS171824	EXHAUST DEFLECTOR F/MT1718	1	X
26	K7RS171826	SCREW	1	X
27	K7RS171827	NYLOC PLUG F/MT1718	1	X