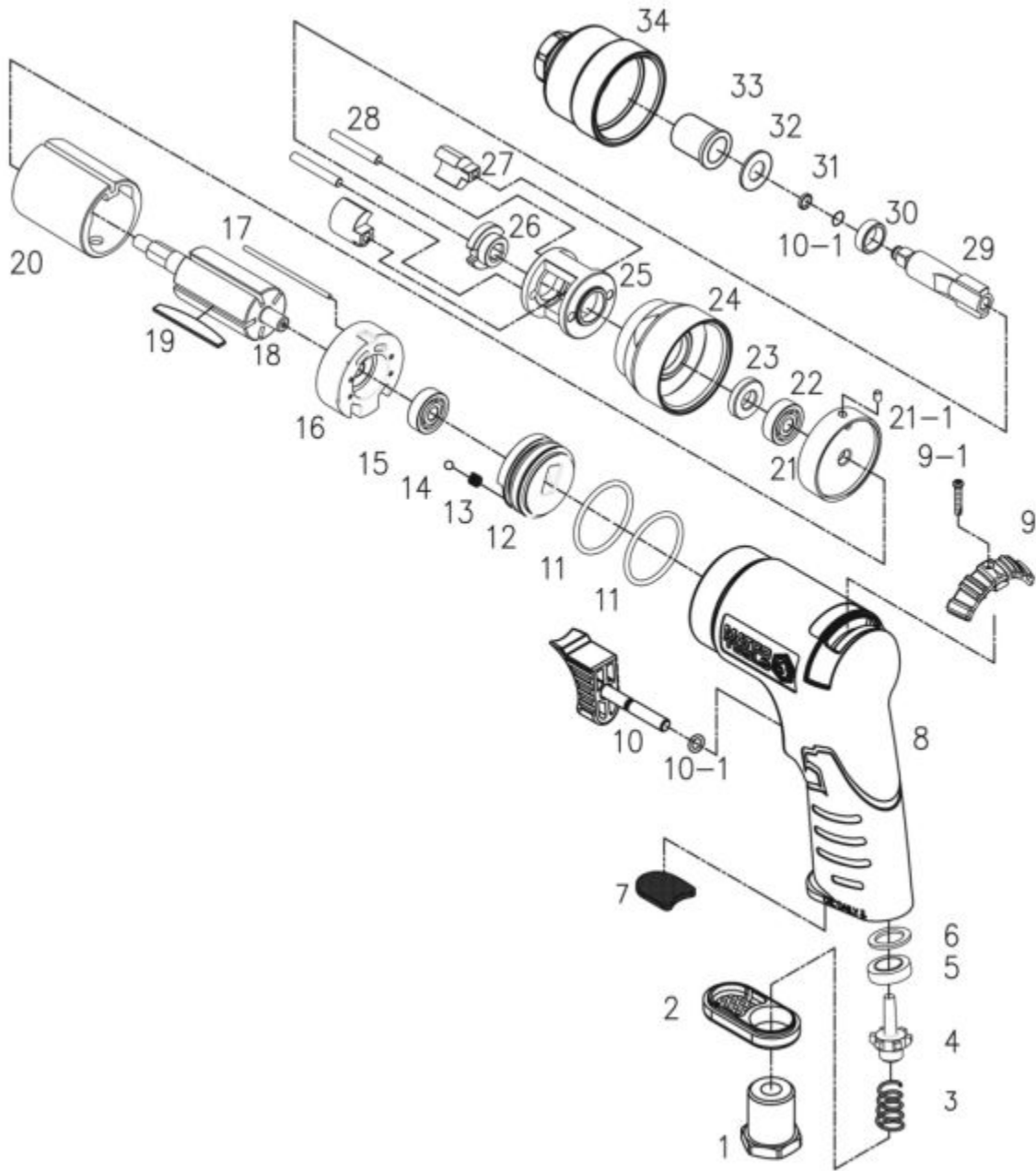


MT1745 - 1/4" MINI COMPOSITE IMPACT WR



Item: MT1745

Description: 1/4" MINI COMPOSITE IMPACT WR

**Notes:** Tune-Up Kit RSMT1745TK includes Ref. Nos. 5, 7, 10-1, 11(2), 13, 14, 19, 31, 35 Order RS174514 as RS211517 As of 040208, the no. for the o-ring for the anvil is RS174535. Also order RS174531 socket retainer ring when replacing anvil o-ring.

Figure No	Part Number	Description	No. Reqd	Warranty Code
1	K7RS174501	INLET BUSHING F/MT1745	1	X
2	K7RS174502	DEFLECTOR F/MT1745	1	X
3	K7RS174503	VALVE SPRING F/MT1745	1	X
4	K7RS351HD04	VALVE STEM F/MT1745	1	X
5	K7RS351HD05	THROTTLE VALVE SEAT F/MT1745	1	X
6	K7RS351HD06	SPACER F/MT1745	1	X
7	K7RS174507	SILENCER F/MT1745	1	X
8	K7RS174508	COMPOSITE HSG F/MT1745	1	X
9	K7RS174509	REVERSE VALVE LEVER F/MT1745	1	X
9	RS1745091	SCREW	1	X
10	K7RS174510	TRIGGER F/MT1745	1	X
11	K7RS174511	O RING F/MT1745	2	X
12	K7RS174512	VALVE BODY F/MT1745	1	X
13	K7RS174513	SPRING F/MT1745	1	X
14	K7RS211517	STEEL BALL F/MT1745	1	X
15	K7RS21114	BEARING SX233A AND MT1884	1	X
16	K7RS174516	REAR PLATE F/MT1745	1	X
17	K7RS174517	GUIDE PIN F/MT1745	1	X
18	K7RS174518	ROTOR F/MT1745	1	X
19	K7RS174519	ROTOR BLADE PK (6) F/MT1745	1	X
20	K7RS174520	CYLINDER F/MT1745	1	X
21	K7RS174521	FRONT PLATE F/MT1745	1	X
21	K7RS1745211	SPRING PIN/IMP WR F/MT1745	1	X
22	K7RS30524	BALL BEARING F/MT1883,MT1834	1	X
23	K7RS174523	MOTOR SPACER F/MT1745	1	X
24	K7RS174524	IMP ADAPTOR RING F/MT1745	1	X
25	K7RS174525	HAMMER CAGE F/MT1745	1	X
26	K7RS174526	CAM F/MT1745	1	X
27	K7RS174527	HAMMER F/MT1745	2	X
28	K7RS174528	HAMMER PIN F/MT1745	2	X
29	K7RS174529	1/4 ANVIL F/MT1745	1	X
30	K7RS174530	ANVIL BUSHING F/MT1745	1	X

31	K7RS174531	SOCKET RETAINER F/MT1745	1	X
32	K7RS174532	SPACER F/MT1745	1	X
33	K7RS174533	HAMMER CASE BUSHING F/MT1745	1	X
34	K7RS174534	HAMMER CASE F/MT1745	1	X
35	K7RS174535	ANVIL O-RING FOR MT1745	1	X
101	K7RS211513	O RING F/MT1745	1	X