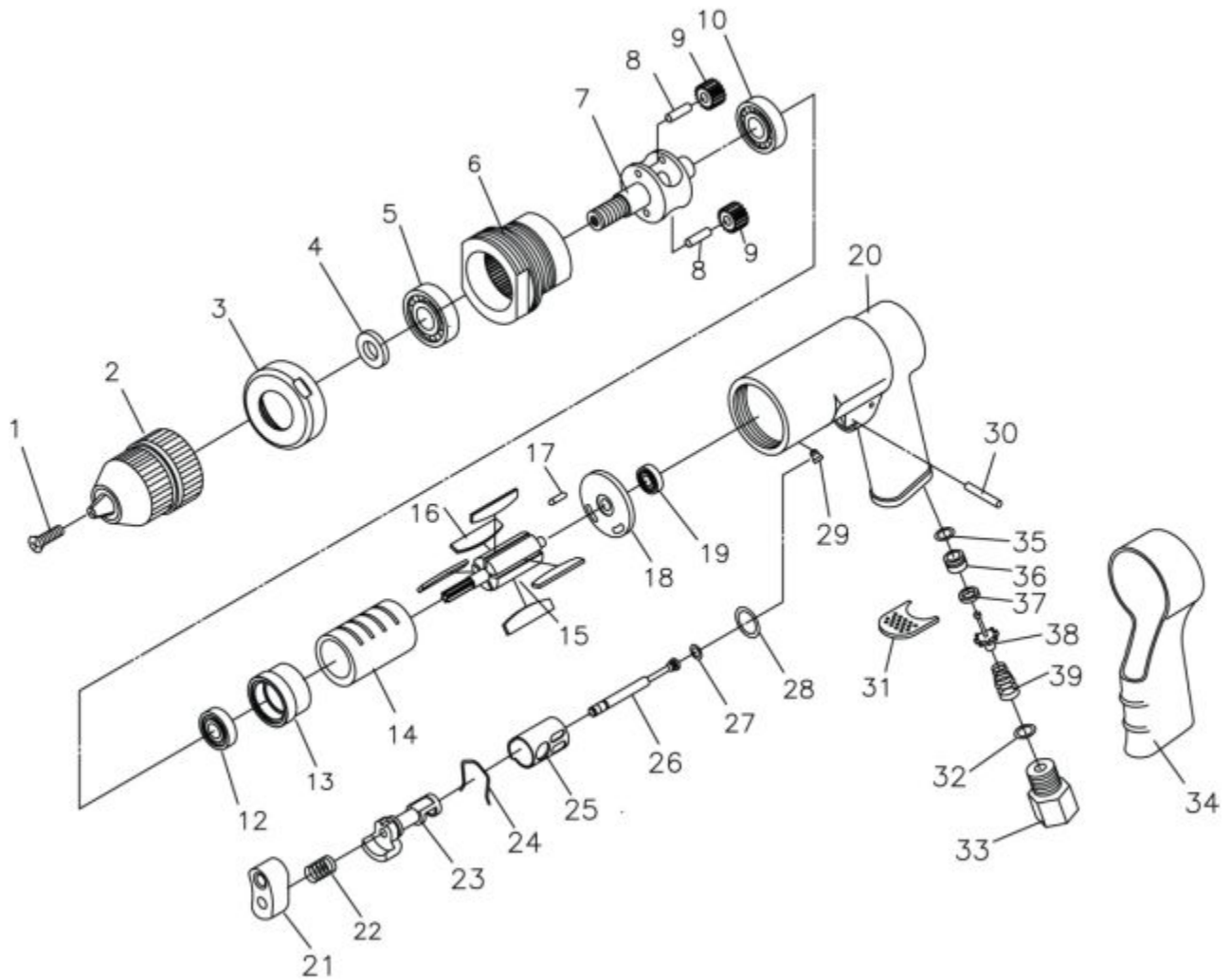


MT1885 - REVERSIBLE MINI AIR DRILL



Item: MT1885

Description: REVERSIBLE MINI AIR DRILL

Notes: N/A

Figure No	Part Number	Description	No. Reqd	Warranty Code
1	K7RS1884R01	SCREW F/DRILL MT1884R	1	X
2	K7RS101702	CHUCK F/MT1883 MINI DRILL	1	X
3	*K7RS884R03	HOUSING CAP	1	
4	K7RS260AD05	WASHER F/MT1884R	1	X
5	K710920	BEARING FOR RL500	1	X
6	K7RS1884R06	CLAMP NUT F/DRILL MT1884R	1	X
7	K7RS260AD07	GEAR CARRIER F/MT1884R	1	X
8	K7RS260AD08	PIN F/MT1884R	2	X
9	K7RS260AD09	GEAR F/MT1884R	2	X
10	K7RS388435	BALL BEARING F/MT3884,MT1884R	1	X
12	K796122	BALL BEARING	1	X
13	K7RS1884R13	FRONT END PLATE F/MT1884R	1	X
14	K7RS1884R14	CYLINDER F/MT1884R	1	X
15	*K7RS26AD14	ROTOR	1	
16	*K7RS26AD15	ROTOR BLADES	5	
17	K7RS1884R17	PIN F/MT1884R	1	X
18	K7RS1884R18	REAR END PLATE F/MT1884R	1	X
19	K7RS260AD18	BALL BEARING F/MT1884R	1	X
20	RS188520	HOUSING	1	X
21	K7RS1884R21	TRIGGER BUTTON F/MT1884R	1	X
22	K7RS1844R22	SPRING F/MT1884R	1	K
23	K7RS1884R23	REVERSE VALVE F/MT1884R	1	X
24	K7RS1884R24	RETAINER F/MT1884R	1	X
25	K7RS1884R25	REV VALVE BUSHING F/MT1884R	1	X
26	K7RS1884R26	VALVE STEM F/MT1884R	1	X
27	K7RS1884R27	O RING F/MT1884R	1	X
28	K7RS1884R28	O RING F/MT1884R	1	K
29	K7RS1884R29	GREASE FITTING F/MT1884R	1	X
30	K7RS1884R30	PIN F/MT1884R	1	X
31	K7RS1884R31	MUFFLER F/MT1884R	1	X
32	K7RS1884R32	O RING F/MT1884R	1	X
33	RS188533	AIR INLET	1	X
34	K7RS1884R34	COMFORT GRIP F/MT1884R	1	X

35	K7RS26212	O-RING F/ MT1811,MT1815	1	X
36	K7RS93126	BUSHING F/ MT1811,MT1815	1	X
37	K7RS93127	THROTTLE SEAT F/MT2814	1	X
38	K7RS93128	THROTTLE VALVE F/MT2814	1	X
39	K7RS93129	THROTTLE SPRING F/MT2836RHK	1	X