



MT2220

- Operating Instructions
- Warning Information
- Parts Breakdown

**LLAVE NEUMATICA DE IMPACTO DE 3/8"
CLÉ À PERCUSSION DE 3/8 PO**

3" IMPACT 8 WRENCH



SPECIFICATIONS

MT2220

Free Speed:	11,500 RPM
Sound Level:	99 dBA
Vibration Level:	6.6m/s ²
Breakaway Torque.....	625 ft. lbs.
Working Torque Range	25-425 ft. lbs.
Overall Length:	6-3/8 "
Weight:	2.8 lbs.
Average Air Consumption:.....	3.5 cfm
Air Inlet (NPT):	1/4"
Recommended Hose Size:	3/8" I.D.

! WARNING



ALWAYS READ INSTRUCTIONS BEFORE USING POWER TOOLS



ALWAYS WEAR SAFETY GOGGLES



ALWAYS WEAR HEARING PROTECTION



AVOID PROLONGED EXPOSURE TO VIBRATION

! WARNING

Some dust created by power sanding, sawing, grinding, drilling, and other construction activities contains chemicals known to cause cancer, birth defects or other reproductive harm. Some examples of these chemicals are:

- lead from lead-based paints,
- crystalline silica from bricks and cement and other masonry products, and
- arsenic and chromium from chemically-treated lumber.

Your risk from these exposures varies, depending on how often you do this type of work. To reduce your exposure to these chemicals: work in a well ventilated area, and work with approved safety equipment, such as those dust masks that are specially designed to filter out microscopic particles.

! WARNING

FAILURE TO OBSERVE THESE WARNINGS COULD RESULT IN INJURY

THIS INSTRUCTION MANUAL CONTAINS IMPORTANT SAFETY INFORMATION.

READ THIS INSTRUCTION MANUAL CAREFULLY AND UNDERSTAND ALL INFORMATION BEFORE OPERATING THIS TOOL.



- Read and understand all instructions. Failure to follow all instructions listed below, may result in electric shock, fire, explosion and/or serious personal injury. It is the responsibility of the owner to make sure all personnel read this manual prior to using the tool. It is also the responsibility of the tool owner to keep this manual intact and in a convenient location for all to see and read. If the manual or product labels are lost or not legible, contact Matco Tools for replacements. If the operator is not fluent in English, the product and safety instructions shall be read and discussed with the operator in the operator's native language by the purchaser/owner or his designee, making sure that the operator comprehends its contents.

- Always operate, inspect and maintain this tool in accordance with American National Standards Institute Safety Code of Portable Air Tools (ANSI B186.1) and any other applicable safety codes and regulations.

- For safety, top performance and maximum durability of parts, operate this tool at 90 psig; 6.2 bar max air pressure with 3/8" diameter air supply hose.

- Always wear impact-resistant eye protection when operating or performing maintenance on this tool (users and bystanders).

- High sound levels can cause permanent hearing loss. Always use hearing protection as recommended by your employer an OSHA regulations while using this tool (users and bystanders).

- Keep the tool in efficient operating condition.

- Operators and maintenance personnel must be physically able to handle the bulk, weight and power of this tool.

- Air under pressure can cause severe injury. Never direct air at yourself or others. Always turn off the air supply, drain hose of air pressure and detach tool from air supply before installing, removing or adjusting any accessory on this tool, or before performing any maintenance on this tool. Failure to do so could result in injury. Whip hoses can cause serious injury. Always check for damaged, frayed or loose hoses and fittings, and replace immediately. Do not use quick detach couplings at tool. See instructions for correct set-up.

- Keep tool out of reach of children.

- Air powered tools can vibrate in use. Vibration, repetitive motions or uncomfortable positions over extended periods of time may be harmful to your hands and arms. Discontinue use of tool if discomfort, tingling feeling or pain occurs. Seek medical advice before resuming use.

- Slipping, tripping and/or falling while operating air tools can be a major cause of serious injury or death. Be aware of excess hose left on the walking or work surface.

- Keep body working stance balanced and firm. Do not overreach when operating the tool.

- Place the tool on the work before starting the tool. Do not point or indulge in any horseplay with this tool.

- Note direction of rotation BEFORE operating this tool.

- Anticipate and be alert for sudden changes in motion during start up and operation of any power tool.

- Do not carry tool by the hose. Protect the hose from sharp objects and heat.

- Tool shaft may continue to rotate briefly after throttle is released. Avoid direct contact with accessories during and after use. Gloves will reduce the risk of cuts or burns.

- Keep away from rotating end of tool. Do not wear jewelry or loose clothing. Secure long hair. Scalping can occur if hair is not kept away from tool and accessories. Choking can occur if neckwear is not kept away from tool and accessories.

- Do not use (or modify) the tool for any other purpose than that for which it was designed without consulting the manufacturer's authorized representative.

- Impact wrenches are not torque control devices. Fasteners with specific torque requirements must be checked with suitable torque measuring devices after installation with an impact wrench.

- **Use only impact sockets or accessories. Do not use hand sockets or accessories.**

- **Use only impact sockets and accessories that are recommended by the manufacturer for your model. Accessories that may be suitable for one tool may create a risk of injury when used on another tool.**

- Use accessories recommended by Matco Tools.

- Do not lubricate tools with flammable or volatile liquids such as kerosene, diesel or jet fuel.

- This tool is not insulated against electric shock.

- This tool must not be used in explosive atmospheres.

- Servicing and repairs should only be made by an authorized service center.

- Do not force tool beyond its rated capacity.

- Do not remove any labels. Replace damaged labels.

- Failure to heed these warnings may result in personal injury and/or property damage.

WARNING: This product can expose you to chemicals including nickel which is known to the State of California to cause cancer and birth defects or other reproductive harm. For more information go to www.P65Warnings.ca.gov.



MT2220 3/8" Impact Wrench

FEATURES

- Customize dBA with exclusive removable muffler plate.
- Work easily with one-hand push button design and an overall weight of just 2.8 lbs
- Power through your day with rear housing power adjustment
- Take full control with variable speed trigger
- Get a grip with textured housing and durable ergonomic design

POWER MANAGEMENT SYSTEM AND TOOL OPERATION

This tool includes a power management system that allows the operator to adjust the amount of output power in the clockwise direction (forward). There is no power management system present in the counter-clockwise direction (reverse). To adjust the power output in the forward direction, turn the dial shown below left or right in the desired power direction. Power output is indicated by enlarging black swoosh on back housing. Lowest power setting indicated by thin swoosh area with highest power setting being thickest swoosh area.

The Power management system is only for reference and do not act as specific power settings. This tool includes a tip valve variable speed trigger design that further allows the operator to reduce the power output.

This tool is an impacting tool and not a torque meter. When specific torque is required, it must be checked with a torque meter after fitting the fastener with the Impact.

AIR SUPPLY

Tools operate on a wide range of air pressures. It is recommended that air pressure measures 90 psig at the tool with the trigger fully depressed and no load applied to the tool. Higher pressure (over 90 psig; 6.2 bar) raises performance beyond the rated capacity of the tool, which will shorten tool life and could cause injury.

Always use clean, dry air. Dust, corrosive fumes and/or water in the air line will cause damage to the tool. Drain the water from air lines and compressor prior to running tool. Clean the air inlet filter screen weekly. The recommended hookup procedure can be viewed in FIG. 1.

The air inlet used for connecting air supply has standard 1/4" NPT. Line pressure should be increased to compensate for unusually long air hoses (over 25 feet). Minimum hose diameter should be 3/8" I.D. and fittings should have the same inside dimensions and be tightly secured.

Ensure an accessible emergency shut off valve has been installed in the air supply line and make others aware of its location.

TROUBLESHOOTING

Other factors outside the tool may cause loss of power or erratic action. Reduced compressor output, excessive drain on the air line,

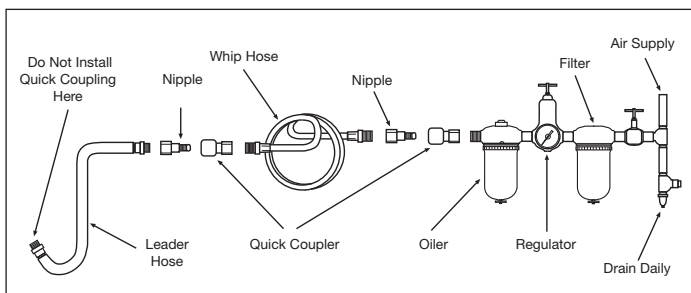


FIG. 1

If a fastener does not move within five seconds, use a larger size Impact. Do not use Impact Wrench beyond rated capacity, as this can drastically reduce the tool life.

Always turn off the air supply, drain hose of air pressure and detach tool from air supply before installing, removing or adjusting any part or accessory on this tool, or before performing any maintenance on this tool.

NOTE: Actual torque on a fastener is directly related to joint hardness, tool speed, condition of socket and the time the tool is allowed to impact.

Use the simplest possible tool-to-socket hook up. Every connection absorbs energy and reduces power.

NOTE: During operation, safety goggles must always be worn to guard against flying debris (users and bystanders).

moisture or restrictions in air pipes or the use of hose connections of improper size or poor conditions may reduce air supply. Grit or gum deposits in the tool may cut power and may be corrected by cleaning the air strainer and flushing out the tool with gum solvent oil or an equal mixture of SAE #10 and kerosene. If outside conditions are in order, disconnect tool from hose and take tool to your nearest authorized service center.

LUBRICATION AND MAINTENANCE

Lubricate the air motor daily with high quality air tool oil. If no air line oiler is used, run 1/2 oz. of oil through the tool. The oil can be squirted into the tool air inlet or into the hose at the nearest connection to the air supply, then run the tool. A rust inhibitive oil is acceptable for air tools.

WARNING: After an air tool has been lubricated, oil will discharge through the exhaust port during the first few seconds of operation. The exhaust port must be covered with a towel before applying air pressure to prevent serious injury.



FIG. 2

MT2220 3/8" Impact Wrench

WARRANTY

Matco warrants this air tool for a period of 2 years to the consumer. We will repair any MT Series air tool covered under this warranty which proves to be defective in material or workmanship during the warranty period. In order to have your tool repaired, return the tool to any of the Matco Authorized Warranty Centers listed, freight prepaid. Please include a copy of your proof of purchase and a brief description of the problem. The tool will be inspected and if any part or parts are found to be defective in material or workmanship, the tool will be repaired free of charge and returned to you freight prepaid.

This warranty gives you specific rights. You may also have other rights which vary from state to state.

The foregoing obligation is Matco's sole liability under this or any implied warranty and under no circumstances shall Matco be liable for any incidental or consequential damages.

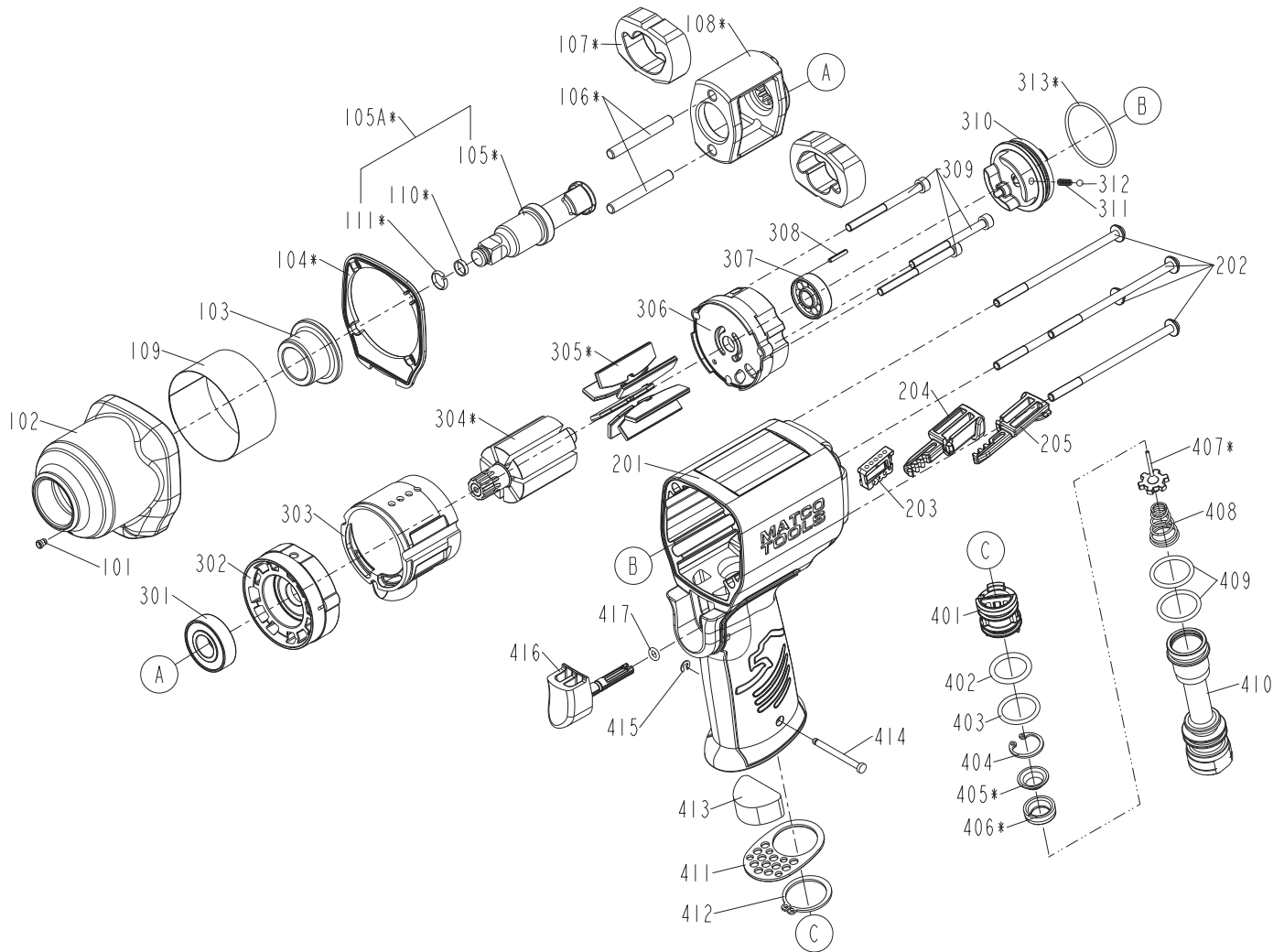
Note: Some states do not allow the exclusion or limitation of incidental or consequential damages so the above limitation or exclusion may not apply to you.

**NATIONAL MACHINE GROUP
AIR TOOL REPAIR CENTER**
1330 Commerce Dr.
Stow, OH 44224
(330) 688-6494

**NATIONAL MACHINE GROUP
AIR TOOL REPAIR CENTER**
2223 S. Wilson Street
Tempe, AZ 85282
(480) 966-1097

HT PNEUMATIC REBUILDERS
22 Goodmark Place Unit #8
Toronto, ON M9w 6R2
(416) 213-0172

MT2220 3/8" Impact Wrench



Item	Parts No	Parts Name	Qty
101	RS1837220	Hammer Case Grease Fitting	1
102	RS222102	Hammer Case	1
103	RS1081103	Hammer Case Bushing	1
104	RS222104	Packing - Hammer Case	1
105A	RS222105	Anvil Assembly	1
106	RS1081107	Hammer Frame Pin	2
107	RS2135107	Hammer	2
108	RS1081109	Hammer Frame	1
109	RS222109	Steel Ring	1
110	RS2150104	O-Ring (5x1.5)	1
111	RS1734201	Socket Retainer Ring	1
201	RS222201	Housing Assembly (includes #203)	1
202	RS222202	Half Round HD HEX Bolt	4
203	RS0260203	Stopper (included w/#201)	1
204	RS0260204	Right/Forward Button	1
205	RS0260205	Left/Reverse Button	1
301	RS222301	Bearing	1
302	RS222302	Front Bearing Plate	1
303	RS222303	Cylinder	1
304	RS222304	Rotor	1
305	RS222305	Rotor Blades	7
306	RS222306	Rear End Plate	1
307	RS222307	Bearing	1
308	RS222308	Spring Pin	1

Item	Parts No	Parts Name	Qty
309	RS222309	Hex. Socket Head Bolt	3
310	RS222310	Regulator	1
311	RS0260313	Positioning Spring	1
312	RS1734416	Steel Ball (3mm)	1
313	RS222313	O-Ring	1
401	RS222401	Reverse Valve	1
402	RS1074410	O-Ring	1
403	RS222403	O-Ring	1
404	RS0260404	C-Ring	1
405	RS0260405	Seal Bushing	1
406	RS0260406	Seal	1
407	RS0260407	Tip Valve	1
408	RS1735406	Spring	1
409	RS222409	O-Ring	2
410	RS0260409	Air Inlet	1
411	RS222411	Exhaust Deflector	1
412	RS0260412	Snap Ring	1
413	RS0260410	Muffler	1
414	RS0260415	Latch Pin	1
415	RS4150424	E-Ring	1
416	RS0260413	Trigger	1
417	RS0260414	O-Ring	1
	RSMT2220LK	Product Label Kit (not shown)	1



LLAVE NEUMÁTICA DE IMPACTO DE 3/8"

3" IMPACT 8 WRENCH

MT2220

- Instrucciones de Operación
- Información de Advertencia
- Revisión de Refacciones



ESPECIFICACIONES

MT2220

Velocidad libre	11,500 RPM
Torsión de separación.....	625 Ft/Lbs.
Capacidad de torsión	25-425 Ft/Lbs.
Nivel de vibración.....	6.6m / s ^ 2
Nivel sonoro	99 dBA
Longitud	6-3/8"
Consumo prom. de aire	3.5 cfm
Peso	2.8 lbs.
Entrada de aire	1/4"
Tamaño mín. de manguera.....	3/8" I.D.

⚠ ADVERTENCIA



LEER SIEMPRE LAS INSTRUCCIONES ANTES DE USAR LAS HERRAMIENTAS NEUMÁTICAS



USAR SIEMPRE ANTEOJOS PROTECTORES



USAR SIEMPRE PROTECCIÓN PARA LOS OÍDOS



EVITAR EXPOSICIÓN PROLONGADA A LAS VIBRACIONES

⚠ ADVERTENCIA

El polvo creado por la lijación eléctrica, la aserradura, la trituración, la perforación y otras actividades de construcción contiene químicos conocidos como causantes de cáncer, defectos de nacimiento u otros daños a reproducción. Algunos ejemplos de dichos químicos son:

- El plomo proveniente de pintura con base de plomo,
- La sílica cristalina de ladrillo y cemento y otros productos de mampostería, y
- El arsénico y el cromo de maderos químicamente tratados.

El riesgo de dichas exposiciones varía, dependiendo de la frecuencia con la cual usted realice este tipo de trabajo. Para reducir su exposición a dichos químicos: trabaje en una área bien ventilada y con equipo de seguridad aprobado, tales como las máscaras anti-polvo, los que son específicamente diseñados para filtrar las partículas microscópicas.

Copyright © Professional Tool Products, 2018
Todos los derechos reservados

! ADVERTENCIA

EL INCUMPLIMIENTO DE OBSERVAR ESTAS ADVERTENCIAS PUEDEN RESULTAR EN ALGUNA LESIÓN



ESTE MANUAL DE INSTRUCCIONES CONTIENE INFORMACIÓN IMPORTANTE DE SEGURIDAD.

LEA CUIDADOSAMENTE ESTE MANUAL INSTRUCTIVO Y COMPRENDA TODA INFORMACIÓN ANTES DE OPERAR ESTA HERRAMIENTA.

- Lea y comprenda todas las instrucciones. Hacer caso omiso al seguir todas las instrucciones alistadas a continuación podría ocasionar el choque eléctrico, incendio, explosiones y/o lesiones personales serias. Es la responsabilidad del propietario asegurarse que todo el personal lea este manual previo al uso de esta herramienta. También es la responsabilidad del propietario de herramienta mantener intacto este manual y en un lugar conveniente para que todos lo lean y vean. Si el manual o las etiquetas se hayan perdido o no sean legibles, comuníquese con Matco Tools por algunos repuestos. Si el operador no domina el idioma inglés, las instrucciones del producto y de seguridad le serán leídas y discutidas con el operador en el idioma materno del operador por parte del comprador/propietario o su designado, asegurándose que el operador comprenda el contenido.
- Opere, inspeccione y mantenga siempre esta herramienta de acuerdo con el Código de Seguridad del Instituto Americano de Estándares Nacionales para las Herramientas Portátiles Neumáticas (ANSI B186.1) y cualquier otro código o regulación aplicables.
- Por seguridad, desempeño superior y durabilidad máxima de las refacciones, opere esta herramienta a la máxima presión de aire al 90 psig; 6.2 barg. con una manguera de alimentación de aire de 3/8" en diámetro.
- Al operar o al realizar el mantenimiento de esta herramienta, lleve siempre la protección de ojos resistentes al impacto (usuarios y espectadores).
- Niveles de sonidos altos pueden provocar una pérdida permanente del oído. Utilice una protección para las orejas según las recomendaciones de su patrón las regulaciones OSHA (usuarios y espectadores).
- Mantenga esta herramienta en condición eficiente de operación.
- Los operadores y personal de mantenimiento deben poder físicamente manejar el volumen, peso y potencia de esta herramienta.
- El aire bajo presión puede ocasionar alguna herida severa. Nunca dirija el aire hacia usted ni a otros. Apague siempre la alimentación de aire, vacíe la manguera de toda presión de aire y separe la herramienta de la alimentación de aire antes de instalar, quitar o ajustar cualquier accesorio de esta herramienta, o antes de realizar cualquier mantenimiento de esta herramienta. La falla en hacerlo podría resultar en alguna lesión. Las mangueras de látigo pueden ocasionar alguna herida seria. Revise siempre las mangueras y herrajes por daños, deshilachas o solturas, y repóngalos inmediatamente. No use en la herramienta los acoplamientos de rápida separación. Vea las instrucciones por la instalación correcta.
- Mantenga lejos del alcance de los niños.
- Las herramientas neumáticas pueden vibrar con su uso. Las vibraciones, movimientos repetitivos o posiciones incómodas durante períodos extendidos de tiempo pueden ser dañinos para sus manos y brazos. Suspnda el uso de la herramienta si experimente molestias, estremecimiento o dolor. Antes de continuar usándola, solicite el consejo médico.
- Resbalarse, tropezarse y/o caerse durante la operación de herramientas neumáticas puede ser una causa mayor de



lesión seria o la muerte. Sea consciente de la manguera excedente, dejada por la superficie para caminar o trabajar.

- Mantenga balanceada y firme la postura corporal de trabajo. No se extra limite al operar esta herramienta.
- Coloque la herramienta sobre la superficie de trabajo antes de hacerla funcionar. No apunte con ni se enrede en juegos bruscos con esta herramienta.
- Note el sentido de la rotación ANTES de operar esta herramienta.
- Anticipe y sea alerta por cambios repentinos de movimiento durante el arranque inicial y operación de cualquier herramienta neumática.
- No lleve la herramienta por la manguera. Proteja la manguera de objetos afilados y del calor.
- El eje de la herramienta puede seguir rotando brevemente después de que se libere la válvula reguladora. Evite el contacto directo con los accesorios durante y después del uso. Los guantes reducirán el riesgo de alguna cortada o quemadura.
- Manténgase lejos del extremo rotador de la herramienta. No lleve puesto ni joyería ni ropa suelta. Fije el pelo largo. Se puede arrancar el cabello si no se lo mantenga a distancia de la herramienta y accesorios. Mantenga a distancia de la herramienta y de los accesorios los accesorios del cuello para evitar el ahogamiento.
- NO use (ni altere) la herramienta para ningún otro uso excepto el para el cual fue diseñado, sin consultar primero a algún representante autorizado del fabricante.
- Llaves de impacto no son dispositivos de control dinamo métrico. Las abrazaderas que tengan requisitos específicos de torsión deben estar verificadas con los dispositivos apropiados de control dinamo métrico, después de la instalación con una llave de impacto.
- **Use sólo con los casquillos de impacto y accesorios designados para dicha herramienta. No use los casquillos de mano ni accesorios, ya que estos pueden ser dañados u ocasionar daño al equipo o al operador.**
- **Solo use accesorios recomendados para su modelo por el fabricante. Los accesorios que pueden ser adecuados para una herramienta pueden crear el riesgo de lesiones al momento de usarlos con otra herramienta.**
- Use los accesorios recomendados por Matco Tools.
- No lubrique las herramientas con soluciones inflamables ni volátiles, tales como el queroseno, el gasóleo ni el combustible para aviones.
- Esta herramienta no está aislada contra el choque eléctrico.
- Esta herramienta no debe emplearse en ambientes explosivos.
- Las reparaciones y mantenimiento deben realizarse sólo por parte de un centro de servicio autorizado.
- No fuerce las herramientas más allá de su capacidad nominal.
- No quite ninguna etiqueta. Reponga las etiquetas dañadas.
- No cumplir con estas indicaciones puede provocar lesiones graves o peligro de muerte, así como daños materiales.

ADVERTENCIA: Este producto le podrá exponer a ciertos químicos, para incluir el níquel, conocidos en el Estado de California por ocasionar cáncer y defectos congénitos u otros daños a la reproducción. Para mayores informes, visite: www.P65Warnings.ca.gov.

MT2220 llave neumática de impacto de 3/8"

CARACTERÍSTICAS

- Personalizado dBA con plato exclusivo silenciador removible
- Trabaja fácilmente con una sola mano con diseño pulsador y un peso total de sólo 2.8 lbs.
- Apodérate durante su día con la llave de impacto y su poderoso ajuste trasero
- Toma control con la válvula de punta de velocidad variable en aplicaciones de regulación
- Obtén un control con la textura y el diseño ergonómico duradero

SISTEMA DE ADMINISTRACIÓN DE POTENCIA Y OPERACIÓN DE LA HERRAMIENTA

Esta herramienta incluye un sistema de administración de potencia que le permite al operador ajustar la cantidad de potencia de salida en el sentido de las agujas del reloj (hacia adelante). No hay ningún sistema de administración de potencia presente en el contrasentido de las agujas del reloj (reversa). Para ajustar la potencia de salida en el sentido hacia adelante, gire el dial mostrado a continuación hacia la izquierda o la derecha en el sentido deseado de potencia. Se indica la salida de potencia al magnificar el signo de palomita negra en la carcasa posterior. El ajuste más bajo de potencia indicado por el área de palomita delgada con el ajuste más alto de potencia siendo el área de palomita ancha.

El sistema de administración de potencia es sólo para consulta y no funge como ajustes específicos de potencia. Esta herramienta incluye un diseño de disparador de velocidad libre de válvula de punta que le permite al operador además reducir la salida de potencia.

Esta herramienta es una herramienta de impacto y no un torquímetro. La sujeción que requiere de una torsión en específico

debe revisarse con un torquímetro después de ajustar el sujetador con la herramienta de impacto.

Si el sujetador no se mueve dentro de cinco segundos, use un casquillo de impacto más grande. No use su llave de impacto más allá de capacidad nominal, ya que se puede disminuir de forma significativa la vida útil del producto.

Apague siempre el suministro de aire, vacíe la manguera de su presión de aire y desconecte la herramienta del suministro de aire antes de instalar, extraer o ajustar cualquier accesorio complementario en esta herramienta o antes de realizar cualquier servicio a la herramienta.

NOTA: La torsión real sobre una abrazadera está directamente relacionada conjuntamente con la dureza, la velocidad de la herramienta, la condición del casquillo y el tiempo que se deda a la herramienta para el impacto.

Utilice el acoplamiento más simple que sea posible. Cada una de las conexiones absorbe energía y reduce la potencia.

NOTA: Durante la operación, se deben llevar goggles de seguridad contra partículas y escombros volantes (usuarios y espectadores).

ALIMENTACIÓN DE AIRE

Las herramientas operan en un rango amplio de presiones de aire. Las herramientas de esta categoría operan dentro de un rango amplio de presión de aire. Al trabajar libremente, se recomienda que la presión de aire de estas herramientas mida a un 90 psig en la herramienta. La presión alta y el aire sucio disminuirán la vida de la herramienta debido al desgaste más rápido, y pueden crear condiciones peligrosas.

Siempre use aire limpio y seco El polvo, los vapores corrosivos y/o el agua en la tubería de aire dañarán la herramienta. Vacíe el agua de las líneas de aire y del compresor antes de dejar funcionar la herramienta. Limpie el filtro de la entrada de aire semanalmente. El procedimiento de conexión recomendado se puede consultar en la FIG. 1.

La admisión de aire que se ocupa para la conexión del suministro de aire cuenta con una estándar de 1/4" NPT. Se debe aumentar la presión en la línea para compensar por las mangueras de aire incommonmente largas (mayores de 25 pies). El diámetro mínimo de la manguera debe de ser de 3/8" de diámetro interior y los herrajes deben contar con las mismas dimensiones y deben estar fijamente sujetos.

Asegúrese que se haya instalado una válvula accesible de apagado por emergencia en la línea de suministro de aire e informe a otros de su ubicación.

DIAGNÓSTICO DE AVERÍAS

Puede haber otros factores ajenos a la herramienta que sean causa de pérdida de corriente o acción errática. La potencia reducida de salida del compresor, el drenaje excesivo en la tubería de aire, humedad o restricciones en las cañerías de aire o el uso de conexiones de manguera de tamaño inadecuado o en malas condiciones puede reducir el suministro de aire. Depósitos de arenilla o goma en la herramienta pueden cortar la potencia y pueden corregirse limpiando el aspirador de aire y limpiando a chorro la herramienta con aceite que disuelva la goma o una mezcla de partes iguales de SAE #10 y querosén. Si no hay ningún problema con las condiciones externas, desconecte la herramienta de la manguera y llévela al centro autorizado de servicio más próximo.

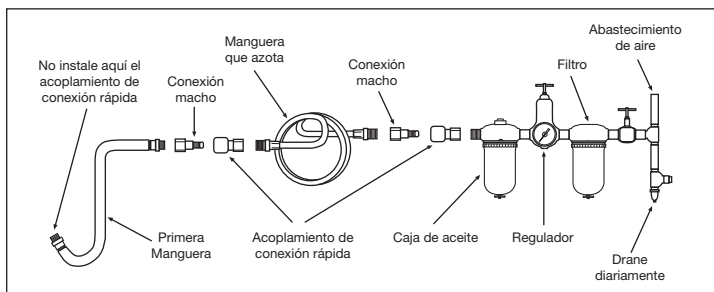


FIG. 1



FIG. 2

MT2220 llave neumática de impacto de 3/8"

LUBRICACIÓN Y MANTENIMIENTO

Lubrique el motor neumático diariamente con un aceite para herramientas neumáticas de alta calidad. Si no se usa ningún lubricador de línea de aire, deje correr una 1/2 oz. de aceite por la herramienta. El aceite puede echarse por chorrillo en la entrada de aire de la herramienta o en la manguera en la conexión más cercana al suministro de aire, luego opere la herramienta. Un aceite anti-corrosión es aceptable para las herramientas neumáticas. El sobre rellenado ocasionará una reducción en la potencia de la herramienta.

ADVERTENCIA: Después de que se haya lubricado una herramienta neumática, el aceite se descargará por el puerto de escape durante los primeros segundos de la operación. El puerto de escape deberá cubrirse con una toalla antes de aplicar una presión de aire con el fin de prevenir lesiones serias.

GARANTÍA

Matco garantiza esta herramienta neumática por un periodo de 2 años para el consumidor. Reparemos cualquier herramienta neumática de la Serie MT, cubierta bajo esta garantía, la cual demuestra ser defectuosa en cuestión material o mano de obra durante el período de dicha garantía. Para que se repare su herramienta, devuelva la herramienta a cualquiera de los Centros de Garantía Autorizados de Matco alistados a continuación, con el flete prepagado. Incluye por favor una copia de su comprobación de compra y una breve descripción del problema. Se inspeccionará la herramienta y si cualquier pieza o piezas se encuentre(n) con algún defecto material o de mano de obra, se reparará la herramienta, libre de cargos, y ésta será devuelta a usted con flete prepagado.

Esta garantía le proporciona ciertos derechos. Usted puede tener también otros derechos los cuales varían de estado a estado.

La obligación anterior es la única responsabilidad de Matco bajo esta o cualquier garantía implicada y Matco no será, bajo ninguna circunstancia, responsable por los daños incidentales ni consecuenciales.

NOTA: Esta garantía le brinda derechos legales específicos y usted también podría contar con otros derechos los cuales varían de estado a estado.

**NATIONAL MACHINE GROUP
AIR TOOL REPAIR CENTER**
1330 Commerce Dr.
Stow, OH 44224
(330) 688-6494

**NATIONAL MACHINE GROUP
AIR TOOL REPAIR CENTER**
2223 S. Wilson Street
Tempe, AZ 85282
(480) 966-1097

HT PNEUMATIC REBUILDERS
22 Goodmark Place Unit #8
Toronto, ON M9w 6R2
(416) 213-0172

CLÉ À PERCUSSION DE 3/8 PO

3" IMPACT 8 WRENCH

MT2220

- Instructions de fonctionnement
- Avertissement
- Pièces



SPÉCIFICATIONS

MT2220

Vitesse en régime libre.....	11 500 tr/min
Niveau sonore.....	99 dBA
Niveau de vibration.....	6.6 m/sec ²
Carré d'entraînement.....	625 pi./lbs.
Portée de travail du couple.....	25-425 pi./lbs.
Longueur totale.....	6-3/8 PO
Poids net.....	2,8 Livres
Consommation 3 moyenne d'air.....	3,5 cfm
Entrée d'air.....	NPT 1/4 PO
Dimension du tuyau d'air.....	3/8 po diam. int.

⚠ AVERTISSEMENT



LISEZ TOUJOURS LES INSTRUCTIONS AVANT D'UTILISER LES OUTILS MOTORISÉS.



PORTEZ TOUJOURS DES LUNETTES DE SÉCURITÉ.



PORTEZ TOUJOURS UNE PROTECTION POUR LES OREILLES.



ÉVITEZ L'EXPOSITION PROLONGÉE AUX VIBRATIONS.

⚠ AVERTISSEMENT

Certaines poussières produites par le sablage, le sciage, le meulage, le perçage et autres activités de construction contiennent des produits chimiques qui peuvent causer le cancer, des anomalies congénitales ou autres problèmes de reproduction. Voici quelques exemples de produits chimiques :

- Plomb provenant des peintures,
- Silicium cristallin provenant des briques, du ciment et d'autres produits de maçonnerie et
- Arsenic et chrome provenant du bois traité chimiquement. Le risque que présentent ces expositions varient selon le nombre de fois que vous faites ce type de travail. Pour réduire l'exposition à ces expositions : travaillez dans un endroit bien ventilé et travaillez avec l'équipement de sécurité approuvé comme les masques à poussière qui sont conçus pour filtrer les particules microscopiques.

⚠ AVERTISSEMENT

LE MANQUE D'OBSERVER CES AVERTISSEMENTS PEUT CAUSER DES BLESSURES



CE GUIDE D'UTILISATION RENFERME D'IMPORTANTES CONSIGNES DE SÉCURITÉ.

LISEZ CE GUIDE D'UTILISATION ATTENTIVEMENT ET ASSUREZ-VOUS D'AVOIR BIEN COMPRIS TOUTES LES DIRECTIVES AVANT D'UTILISER CET OUTIL.

- Veuillez lire et bien comprendre toutes les instructions. Tout manquement aux instructions indiquées ci-après pourrait entraîner un choc électrique, un incendie, une explosion et/ou des blessures personnelles graves. Il est de la responsabilité du propriétaire de s'assurer que tout le personnel lise ce manuel avant d'utiliser l'outil. Il revient aussi au propriétaire de l'outil de conserver ce manuel en bon état et dans un endroit accessible permettant au manuel d'être vu et lu par tous. Si le manuel ou les étiquettes du produit sont perdus ou illisibles, contactez Matco Tools pour les faire remplacer. Si l'utilisateur-opérateur de l'outil ne maîtrise pas bien l'anglais, les instructions relatives au produit et aux mesures de sécurité devront être lues et discutées avec l'opérateur dans sa langue maternelle par l'acheteur-propriétaire ou toute personne habilitée par lui à le faire, en s'assurant que l'opérateur en comprend bien le contenu.
- Veuillez toujours utiliser, inspecter et entretenir cet outil conformément au code de sécurité ANSI sur les outils pneumatiques portatifs (ANSI B186.1) et à tout autre loi ou règlement relatif à la sécurité.
- Pour assurer un fonctionnement sécuritaire, un rendement optimal et la durabilité des pièces, utilisez une pression d'air maximale de 90 lb/po², 6,2 bar et un boyau d'un diamètre de 3/8 po.
- Portez toujours de l'équipement de protection des yeux résistant aux chocs quand vous utilisez cet outil ou en faites l'entretien (utilisateurs et spectateurs).
- Les niveaux sonores élevés peuvent provoquer une perte auditive permanente. Portez toujours l'équipement de protection auditive recommandé par votre employeur et les règlements de l'OSHA quand vous utilisez cet outil (utilisateur et personnes à proximité).
- Conservez cet outil en bon état de marche.
- Les personnes qui utilisent ou entretiennent cet outil être capables de le manipuler compte tenu de sa grosseur, de son poids et de sa puissance.
- El aire bajo presión puede ocasionar alguna herida severa. Nunca dirija el aire hacia usted ni a otros. Apague siempre la alimentación de aire, vacíe la manguera de toda presión de aire y separe la herramienta de la alimentación de aire antes de instalar, quitar o ajustar cualquier accesorio de esta herramienta, o antes de realizar cualquier mantenimiento de esta herramienta. La falla en hacerlo podría resultar en alguna lesión. Las mangueras de látigo pueden ocasionar alguna herida seria. Revise siempre las mangueras y herrajes por daños, deshilachas o solturas, y repóngalos inmediatamente. No use en la herramienta los acoplamientos de rápida separación. Vea las instrucciones por la instalación correcta.
- Garder l'outil hors de la portée des enfants.
- Les outils pneumatiques peuvent vibrer pendant l'utilisation. Las vibraciones, movimientos repetitivos o posiciones incómodas durante períodos extendidos de tiempo pueden ser dañinos para sus manos y brazos. Suspenda el uso de la herramienta si experimente molestias, estremecimiento o dolor. Antes de continuar usándola, solicite el consejo médico.



- Une glissade, un trébuchage et/ou une chute lors de l'utilisation d'outils pneumatiques peut causer de sérieuses blessures ou la mort. Prenez garde aux boyaux qui traînent par terre dans l'aire de travail.
- Votre posture doit être stable. Évitez de travailler à bout de bras.
- Placer l'outil sur la pièce à travailler avant de le mettre en marche. Ne pas pointer l'outil vers une personne ni l'utiliser à mauvais escient.
- Vérifier le sens de rotation AVANT d'utiliser cet outil.
- Calculez vos mouvements et prenez garde aux changements brusques de position quand vous utilisez un outil électrique.
- Ne tenez pas l'outil par le boyau d'alimentation. Protégez le boyau des objets tranchants et de la chaleur.
- L'arbre de l'outil peut continuer de tourner brièvement une fois la gâchette relâchée. Évitez tout contact direct avec les accessoires pendant ou après l'utilisation. Le port de gants réduit les risques de coupures ou de brûlures.
- Rester à l'écart de l'extrémité de l'outil. Ne portez pas de bijoux ni de vêtements amples. Les cheveux longs doivent demeurer hors de portée de l'outil et de ses accessoires pour éviter tout scalp accidentel. Tenez les cravates et les colliers hors de portée de l'outil, car ils présentent un risque de suffocation.
- Ne pas utiliser (ou modifier) l'outil à d'autres fins que celles pour lesquelles elle a été conçue sans consulter le représentant autorisé du fabricant.
- Les clés à chocs ne sont pas des régulateurs de couple de serrage. Lorsque vous utilisez une clé à chocs pour boulonner un élément requérant un couple précis, vérifiez ce dernier à l'aide d'un dispositif de mesure de couple.
- **N'utiliser que des douilles et accessoires à frappe. Ne pas utiliser de douilles ou accessoires manuels.**
- **N'utilisez que les accessoires recommandés par le fabricant pour votre modèle. Lorsque utilisés sur un autre modèle, les accessoires recommandés pour un modèle de l'outil pourraient risquer de causer des blessures.**
- Utilisez les accessoires recommandés par Matco Tools.
- Ne pas lubrifier les outils avec des liquides inflammables ou volatils comme le kérosène, le diesel ou le carburant d'avion.
- Cet outil n'est pas isolé du point de vue des chocs électriques.
- Ne pas utiliser cet outil dans une atmosphère explosive.
- L'entretien et les réparations ne devraient être effectués que dans un centre de service autorisé.
- Évitez de forcer l'outil en l'utilisant au-delà de sa puissance nominale.
- N'enlevez aucune étiquette. Remplacez toute étiquette abîmée.
- Le manque d'observer ces avertissements peut avoir comme conséquence des blessures corporelles et/ou des dégâts matériels.

MISE EN GARDE: Ce produit peut vous exposer à des produits chimiques y compris le nickel, reconnu par l'État de la Californie comme causant le cancer et des anomalies congénitales ou d'autres effets nuisibles sur la reproduction. Pour de plus amples informations, aller à www.P65Warnings.ca.gov.

CARACTÉRISTIQUES

- Personnalisez les dBA avec une plaque à atténuateur acoustique amovible exclusive
- Travaillez plus commodément avec le bouton poussoir manœuvrable à une seule main et un poids total de seulement 2,8 lb
- Maximisez votre utilisation de puissance quotidienne avec les réglages de puissance dans le boîtier arrière
- Prenez le plein contrôle avec la détente à vitesse variable
- Ayez une bonne prise grâce au boîtier texturé et le design ergonomique

GESTION DE LA PUISSANCE ET FONCTIONNEMENT DE L'OUTIL

Cet outil comprend un système de gestion permettant à l'opérateur de régler, dans le sens des aiguilles d'une montre (vers l'avant), le volume de la force de sortie. Il n'y a pas de système de gestion de puissance dans le sens contraire des aiguilles d'une montre (en sens inverse). Pour régler la puissance de sortie vers l'avant, tournez le cadran indiqué ci-dessous vers la droite ou vers la gauche selon la direction de puissance souhaitée. La puissance de sortie est indiquée par la ligne grossissante sur le boîtier arrière. Une moindre puissance de sortie est indiquée là où la ligne est plus mince, alors que la puissance de sortie la plus élevée se trouve là où la ligne est la plus épaisse.

Le système de gestion de la puissance n'existe qu'à titre de référence et ne sert pas à établir de paramètres de puissance spécifique. Cet outil inclut un design de valve à embout et vitesse variable par détente qui permet en plus à l'opérateur de réduire la puissance de sortie.

Cet outil est un outil de choc et non un torsiomètre. La fixation exigeant un couple spécifique doit être vérifiée à l'aide d'un

torsiomètre après le placement de la fixation sur le Choc.

Si une fixation ne bouge pas après 5 secondes, utiliser un couple de taille plus grande. Ne pas utiliser une Clé à chocs en dehors du débit nominal supérieur, parce que ceci peut réduire considérablement la durée de vie de l'outil.

Toujours couper l'arrivée d'air comprimé et débrancher l'outil avant d'enlever ou de mettre en place une pièce ou un accessoire quelconque, ou avant d'effectuer une tâche d'entretien quelconque.

REMARQUE : Le couple requis pour une pièce de fixation est directement lié à la rigidité du joint, à la vitesse de rotation de l'outil, à l'état de la douille et à la cadence d'impact de l'outil.

Entre l'outil et la douille, utilisez l'adaptateur le plus simple possible. En effet, chaque raccordement absorbe sa part d'énergie et réduit la puissance de l'outil.

REMARQUE : Lors de l'utilisation, toujours porter des lunettes de sécurité pour protéger les yeux contre les des débris (utilisateur et personnes à proximité).

ALIMENTATION EN AIR

Cet outil peut fonctionner à l'intérieur d'une large plage de pression d'air. Il est recommandé que la pression soit de 90 psi lorsque la détente est totalement enfoncée et qu'aucune charge n'est imposée à l'outil. Une pression supérieure (plus de 90 psi; 6,2 bar) augmente la performance au-delà de la capacité nominale de l'outil, raccourcissant cependant ainsi la durée de vie de l'outil et pouvant donner lieu à des blessures.

Utilisez toujours de l'air comprimé propre et sec. La présence de poussière, de vapeurs corrosives et/ou d'eau dans la conduite d'air peut endommager l'outil. Vidanger l'eau des conduites d'air et du compresseur avant d'utiliser l'outil. Nettoyer le filtre de l'entrée d'air chaque semaine. La procédure de branchement recommandée peut être vue dans la FIG. 1.

La source d'alimentation en air est raccordée à une entrée d'air ayant un normalisé NPT de 1/4 po. Il faut augmenter la pression dans la conduite d'air dans le cas de boyaux à air exceptionnellement longs (plus de 25 pieds). Le diamètre intérieur minimal du boyau doit être de 3/8 po. Les raccords doivent avoir le même diamètre intérieur et être serrés solidement.

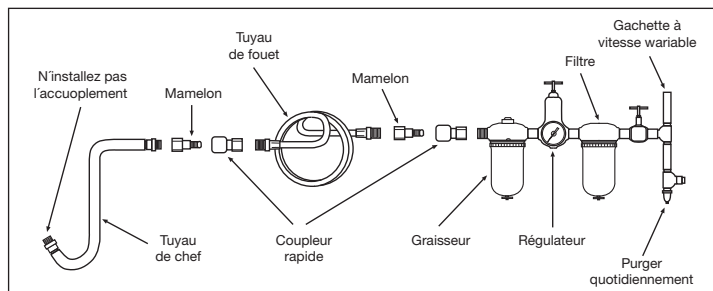


FIG. 1

Asegúrese que se haya instalado una válvula accesible de apagado por emergencia en la línea de suministro de aire e informe a otros de su ubicación.

DÉPANNAGE

Des facteurs extérieurs à l'outil peuvent causer des baisses de puissance ou d'autres problèmes. Un débit réduit du compresseur, un drainage excessif du conduit d'air de l'humidité ou des limitations dans le boyau d'air ou l'utilisation de raccords de dimensions inadéquates ou en mauvaise condition peuvent réduire l'alimentation d'air. Des résidus d'abrasif ou des dépôts accumulés dans l'outil peuvent diminuer la puissance, ceci peut être corrigé en nettoyant le filtre à air et en nettoyant l'outil avec du solvant à l'huile pour dépôts, ou avec un mélange en parts égales d'huile SAE #10 et du kérosène. Si toutes les conditions extérieures sont excellentes, débrancher l'outil du boyau et apportez-le à l'atelier de service agréé le plus près.



FIG. 2

MT2220 CLÉ À PERCUSSION DE 3/8 PO

LUBRIFICATION ET D'ENTRETIEN

Lubrifier le moteur pneumatique chaque jour avec de l'huile à outil pneumatique de qualité. Si aucun huileur pour conduite d'air n'est utilisé, injecter 1/2 oz d'huile dans l'outil. L'huile peut être injectée dans l'entrée d'air de l'outil ou dans le boyau par l'entremise du raccord le plus près de la source d'alimentation en air. Faire ensuite fonctionner l'outil. L'huile antirouille convient aux outils pneumatiques. Un trop-plein réduit la puissance de l'outil.

AVERTISSEMENT : Une fois l'outil pneumatique lubrifié, de l'huile s'écoulera de l'orifice d'échappement pendant les premières secondes de fonctionnement. L'orifice d'échappement doit être recouvert d'un chiffon avant de mettre en marche l'outil pour prévenir les blessures graves.

GARANTIE

Matco garantit ses outils pneumatiques au consommateur pendant une période de deux années. Nous réparerons tout outil pneumatique de la série MT couvert par cette garantie qui présente un défaut de matériau ou de main-d'œuvre durant la période de garantie. Pour faire réparer l'outil, retournez-le à l'un des centres de garantie autorisés de Matco indiqués ci-dessous, port payé. Joignez une copie de votre preuve d'achat et une brève description du problème. L'outil sera inspecté et si une ou plusieurs pièces présentent un défaut de matériel ou de main-d'œuvre, l'outil sera réparé gratuitement et retourné port payé.

Cette garantie vous donne des droits particuliers. Vous pouvez aussi avoir d'autres droits qui varient d'un état à l'autre.

Cette obligation est la seule responsabilité de Matco dans le cadre de cette garantie et Matco ne sera en aucun cas responsable de dommages connexes ou corrélatifs.

Remarque : Certains états ne permettent pas d'exclusion ou de limites pour les dommages connexes ou corrélatifs les limites ou exclusions indiquées ci-dessus ne s'appliquent peut-être pas dans votre cas.

**NATIONAL MACHINE GROUP
AIR TOOL REPAIR CENTER**
1330 Commerce Dr.
Stow, OH 44224
(330) 688-6494

**NATIONAL MACHINE GROUP
AIR TOOL REPAIR CENTER**
2223 S. Wilson Street
Tempe, AZ 85282
(480) 966-1097

HT PNEUMATIC REBUILDERS
22 Goodmark Place Unit #8
Toronto, ON M9w 6R2
(416) 213-0172