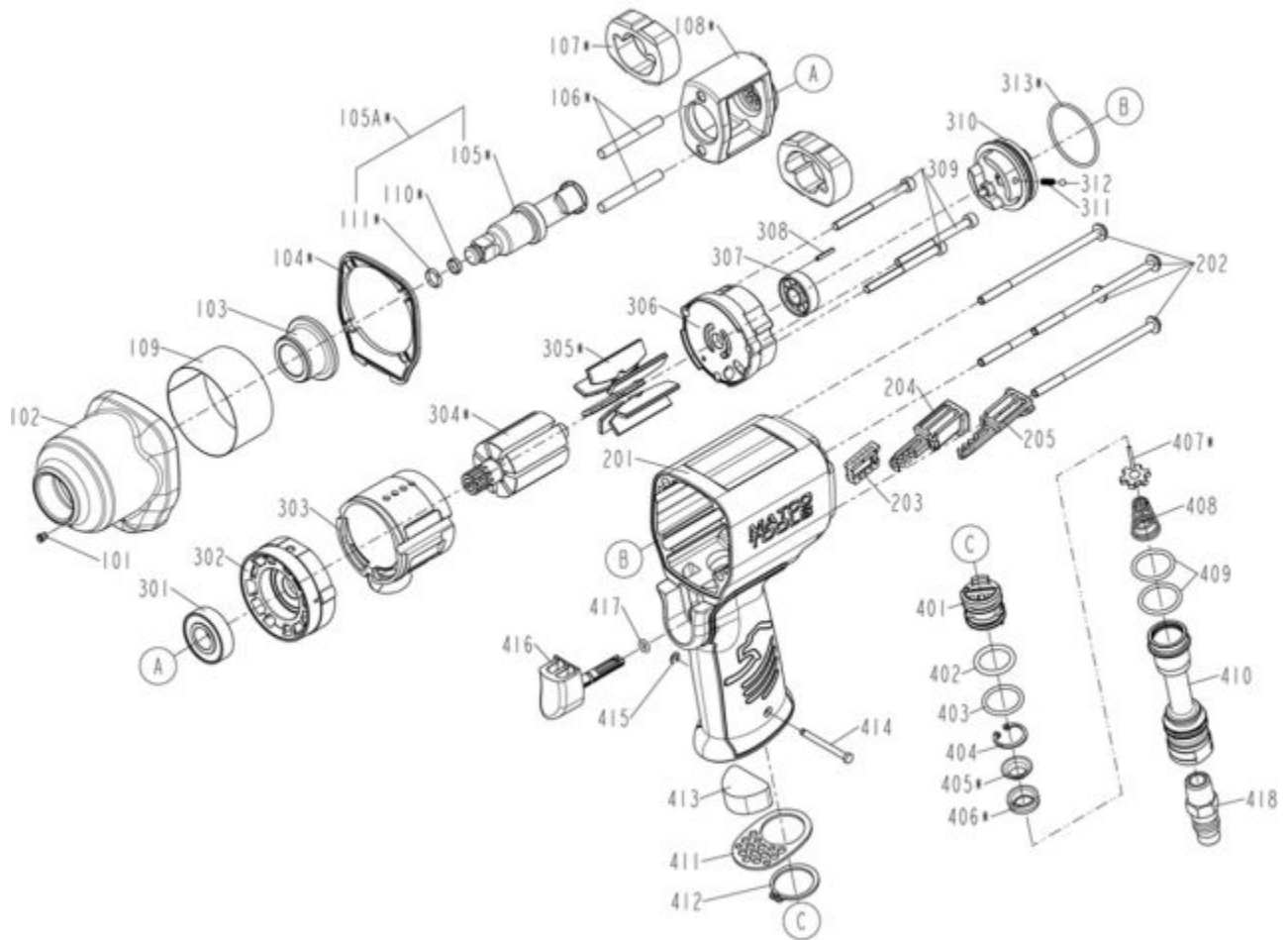


## MT2220 - 3/8" IMPACT WRENCH



Item: MT2220

Description: 3/8" IMPACT WRENCH

Notes: (not shown) RSMT2220LK - Warning Label

Figure No	Part Number	Description	No. Reqd	Warranty Code
101	K7RS1837220	HAMMER CASE GR FITTING MT2138	1	X
102	K7RS222102	HAMMER CASE F/MT2220	1	X
103	K7RS1081103	HAMMER CASE BUSHING F/MT2138	1	X
104	K7RS222104	HAMMER CASE PACKING F/ MT2760	1	X
105	K7RS222105	ANVIL F/MT2220	1	X
106	K7RS1081107	HAMMER FRAME PIN F/MT2138	1	X
107	RS2135107	HAMMER	1	X
108	K7RS1081109	HAMMER FRAME F/MT2138	1	X
109	K7RS222109	STEEL RING F/MT2220	1	X
110	K7RS2150104	O RING F/MT2138	1	X
111	K7RS1734201	SOCKET RETAINER F/MT2138	1	X
201	K7RS222201	HOUSING F/ MT2220	1	X
202	K7RS222202	HOUSING BOLT F/ MT2220	1	X
203	K7RS0260203	STOPPER F/MT2769	1	X
204	K7RS0260204	FORWARD BUTTON F/MT2769	1	X
205	K7RS0260205	REVERSE BUTTON F/MT2769	1	X
301	K7RS222301	BEARING FOR THE MT2220	1	X
302	*K7RS222302	FRONT BEARING PLATE	1	
303	K7RS222303	CYLINDER FOR MT2220	1	X
304	K7RS222304	ROTOR FOR MT2260	1	X
305	K7RS222305	ROTOR BLADE	1	X
306	*K7RS222306	REAR END PLATE	1	
307	K7RS222307	BEARING FOR MT2220	1	X
308	*K7RS222308	SPRING PIN	1	
309	*K7RS222309	HEX. SOCKET HEAD BOLT (PACK OF 3)	1	
310	K7RS222310	REGULATOR F/ MT2220	1	X
311	K7RS0260313	DETENT SPRING F/MT2769	1	X
312	K7RS1734416	BALL F/MT1734	1	X
313	K7RS222313	O RING FOR MT2220	1	X
401	K7RS222401	REVERSE VALVE FOR MT2220	1	X
402	K7RS1074410	ORING MT2234	1	X
403	K7RS222403	O RING	1	X
404	K7RS0260404	SNAP RING F/MT2769	1	X

405	K7RS0260405	SEAL BUSHING F/MT2769	4	X
406	K7RS0260406	SEAL F/MT2769	1	X
407	K7RS0260407	TIP VALVE F/MT2769	1	X
408	K7RS1735406	SPRING	1	X
409	K7RS222409	O RING	1	X
410	K7RS0260409	AIR INLET F/MT2769	1	X
411	K7RS222411	EXHAUST DEFLECTOR F/MT2738	1	X
412	K7RS0260412	SNAP RING F/MT2769	1	X
413	K7RS0260410	MUFFLER F/MT2769	1	X
414	K7RS0260415	RETAINING PIN F/MT2769	1	X
415	K7RS4150424	E-RING F/MT2138	1	X
416	K7RS0260413	TRIGGER F/MT2769	1	X
417	K7RS0260414	O-RING F/MT2769	1	X