



**MT2533, MT2532, MT2516**

**LIJADORA MANUAL DE  
ÓRBITA ALEATORIA  
PONCEUSE À MAIN ORBITALE  
À MOUVEMENT ALÉATOIRE**

**Operating Instructions  
Warning Information  
Parts Breakdown**

# RANDOM ORBIT PALM SANDERS



## SPECIFICATIONS

|                             | <b>MT2533</b>         | <b>MT2532</b>         | <b>MT2516</b>         |
|-----------------------------|-----------------------|-----------------------|-----------------------|
| Pad Size .....              | 3"                    | 6"                    | 6"                    |
| Random Orbit Size .....     | 3/32"                 | 3/32"                 | 3/16"                 |
| Free Speed .....            | 12,000 RPM            | 12,000 RPM            | 12,000 RPM            |
| Horse Power .....           | 0.3 HP                | 0.3 HP                | 0.3 HP                |
| Spindle Threads .....       | 3/8"-24               | 3/8"-24               | 3/8"-24               |
| Air Consumption .....       | 2.4 CFM               | 2.4 CFM               | 2.4 CFM               |
| Inlet Size .....            | 1/4" NPT              | 1/4" NPT              | 1/4" NPT              |
| Recommended Hose Size ..... | 3/8" I.D.             | 3/8" I.D.             | 3/8" I.D.             |
| Height w/ pad .....         | 3-1/2"                | 3-5/8"                | 3-5/8"                |
| Weight w/ pad .....         | 1.3 lbs.              | 1.9 lbs.              | 1.9 lbs.              |
| Sound Pressure Level .....  | 81.2                  | 81.2                  | 81.2                  |
| Vibration Level .....       | 4.14 m/s <sup>2</sup> | 4.14 m/s <sup>2</sup> | 4.14 m/s <sup>2</sup> |

### ! WARNING



**ALWAYS READ  
INSTRUCTIONS  
BEFORE USING  
POWER TOOLS**



**ALWAYS WEAR  
SAFETY GOGGLES**



**ALWAYS WEAR  
HEARING  
PROTECTION**



**AVOID PROLONGED  
EXPOSURE TO  
VIBRATION**

### ! WARNING

**Some dust created by power sanding, sawing, grinding, drilling, and other construction activities contains chemicals known to cause cancer, birth defects or other reproductive harm. Some examples of these chemicals are:**

- lead from lead-based paints,
- crystalline silica from bricks and cement and other masonry products, and
- arsenic and chromium from chemically-treated lumber.

**Your risk from these exposures varies, depending on how often you do this type of work. To reduce your exposure to these chemicals: work in a well ventilated area, and work with approved safety equipment, such as those dust masks that are specially designed to filter out microscopic particles.**

# ! WARNING

## FAILURE TO OBSERVE THESE WARNINGS COULD RESULT IN INJURY

**THIS INSTRUCTION MANUAL CONTAINS IMPORTANT SAFETY INFORMATION.**

**READ THIS INSTRUCTION MANUAL CAREFULLY AND UNDERSTAND ALL INFORMATION BEFORE OPERATING THIS TOOL.**



- Read and understand all instructions. Failure to follow all instructions listed below, may result in electric shock, fire, explosion and/or serious personal injury. It is the responsibility of the owner to make sure all personnel read this manual prior to using the tool. It is also the responsibility of the tool owner to keep this manual intact and in a convenient location for all to see and read. If the manual or product labels are lost or not legible, contact Matco Tools for replacements. If the operator is not fluent in English, the product and safety instructions shall be read and discussed with the operator in the operator's native language by the purchaser/owner or his designee, making sure that the operator comprehends its contents.



- Always operate, inspect and maintain this tool in accordance with American National Standards Institute Safety Code of Portable Air Tools (ANSI B186.1) and any other applicable safety codes and regulations.



- For safety, top performance and maximum durability of parts, operate this tool at 90 psig; 6.2 bar max air pressure with 3/8" diameter air supply hose.



- Always wear safety goggles and breathing apparatus (users & bystanders).



- To reduce exposure to sanding debris, work in a well ventilated area with proper personal protection equipment.

- High sound levels can cause permanent hearing loss. Always use hearing protection as recommended by your employer an OSHA regulations while using this tool (users and bystanders).



- Keep the tool in efficient operating condition.

- Operators and maintenance personnel must be physically able to handle the bulk, weight and power of this tool.



- Air under pressure can cause severe injury. Never direct air at yourself or others. Always turn off the air supply, drain hose of air pressure and detach tool from air supply before installing, removing or adjusting any accessory on this tool, or before performing any maintenance on this tool. Failure to do so could result in injury. Whip hoses can cause serious injury. Always check for damaged, frayed or loose hoses and fittings, and replace immediately. Do not use quick detach couplings at tool. See instructions for correct set-up.



- Keep tool out of reach of children.



- Air powered tools can vibrate in use. Vibration, repetitive motions or uncomfortable positions over extended periods of time may be harmful to your hands and arms. Discontinue use of tool if discomfort, tingling feeling or pain occurs. Seek medical advice before resuming use.



- Slipping, tripping and/or falling while operating air tools can be a major cause of serious injury or death. Be aware of excess hose left on the walking or work surface.

- Keep body working stance balanced and firm. Do not overreach when operating the tool.
- Do not point or indulge in any horseplay with this tool.
- Note direction of rotation BEFORE operating this tool.
- Anticipate and be alert for sudden changes in motion during start up and operation of any power tool.
- Do not carry tool by the hose. Protect the hose from sharp objects and heat.



- Tool shaft may continue to rotate briefly after throttle is released. Avoid direct contact with accessories during and after use. Gloves will reduce the risk of cuts or burns.



- Keep away from rotating end of tool. Do not wear jewelry or loose clothing. Secure long hair. Scalping can occur if hair is not kept away from tool and accessories. Choking can occur if neckwear is not kept away from tool and accessories.



- **Do not lock, tape or wire the "on/off" lever in the "on" position, as the lever must be free to return to the "off" position when released.**

- Do not use (or modify) the tool for any other purpose than that for which it was designed without consulting the manufacturer's authorized representative.

- Use only a sanding pad & sandpaper with this tool.

- Do not use any grinding wheel, burr or metal removing accessory with this tool.

- **Ensure the MAX rating (RPM) of the sanding accessories is higher than the tools rated RPM.**



- Use accessories recommended by Matco Tools.

- Do not lubricate tools with flammable or volatile liquids such as kerosene, diesel or jet fuel.



- This tool is not insulated against electric shock.



- This tool must not be used in explosive atmospheres.

- Servicing and repairs should only be made by an authorized service center.



- Do not force tool beyond its rated capacity.

- Do not remove any labels. Replace damaged labels.

- Failure to heed these warnings may result in personal injury and/or property damage.



**WARNING:** This product can expose you to chemicals including nickel which is known to the State of California to cause cancer and birth defects or other reproductive harm. For more information go to [www.P65Warnings.ca.gov](http://www.P65Warnings.ca.gov).

# MT2532, MT2516, MT2533 RANDOM ORBITAL PALM SANDERS

## OPERATION

Select a suitable abrasive disc and make sure that it is fixed securely to the pad. Connect a suitable air supply as recommended in Figure 1. The air inlet on this tool has a standard 1/4" NPT thread. After mounting sandpaper, start this Sander under a bench in order to make sure sandpaper is firmly attached. Set the sander down on the work evenly and move it slowly back & forth in wide, overlapping areas. Additional pressure may be used to make more efficient use of the tool when material to be sanded is thick. Lighter pressure may be used in delicate sanding or when using edges of sanding pad. When finished sanding, lift it off the work before stopping the motor.

Take great care when sanding around sharp edges and surfaces to avoid disc snagging, i.e. the disc may be brought to an abrupt stop or considerably slowed which will cause the tool to kick in the operator's hands. It is always recommended to use safety gloves and safety glasses. The sanding of certain materials may create a hazardous dust which may require special breathing equipment. Check before using the tool. It is recommended to use proper breathing equipment while sanding. Even if the tool has a low noise level, the actual sanding process may cause a noise level such that ear protection should be used. It is recommended that ear protection be used while sanding.

Do not continue to use abrasive discs that are worn or clogged. This will make the sanding process inefficient and increases the need to apply unnecessarily high forces to the tool. Do not use oversized or undersized sanding discs. The disc should be no more than 1/4" larger in diameter than the pad and never be smaller than the pad size.

An air regulator is located on the side of the tool housing. It can be used to vary the volume of compressed air fed to the motor which will vary the speed of the sander.

**Always turn off the air supply, drain hose of air pressure and detach tool from air supply before installing, removing or adjusting any part or accessory on this tool, or before performing any maintenance on this tool.**

**NOTE: During operation, safety goggles must always be worn to guard against flying debris (users and bystanders).**

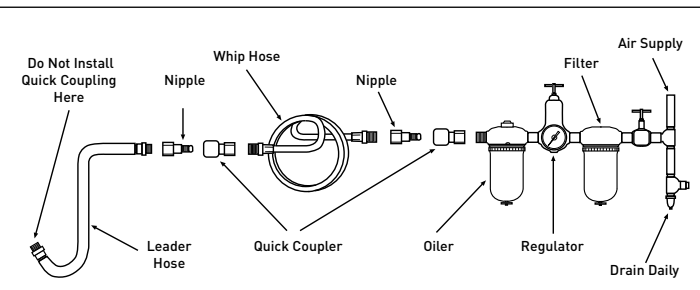


FIG. 1

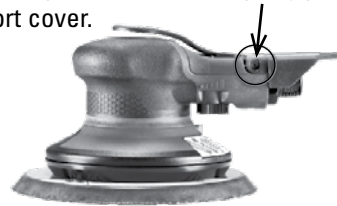
## VACUUM KIT

To install **MT25VCK (Vacuum Kit)**

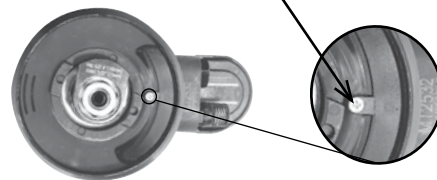
1. Disconnect air supply.
2. Remove air muffler.



3. Use 3mm punch to remove spring pin from wrist support cover.



4. Remove and set aside pin and wrist support cover temporarily.
5. Remove 6" backing pad with spanner.
6. Remove Philips® head screw to remove cover.



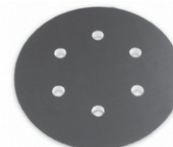
7. Remove muffler using 19mm wrench or socket.
8. Slide into position vacuum housing cover.



9. Re-install Philips® head screw to secure vacuum housing cover.
10. Slide into position the vacuum adapter over the air muffler.



11. Reinstall air muffler to compress and hold vacuum adapter in place.
12. Reinstall spring pin and wrist support cover.
13. Install new 6" backing pad with suction holes.



# MT2532, MT2516, MT2533 RANDOM ORBITAL PALM SANDERS

## AIR SUPPLY

Tools operate on a wide range of air pressures. It is recommended that air pressure measures 90 psig at the tool with the trigger fully depressed and no load applied to the tool. Higher pressure (over 90 psig; 6.2 bar) raises performance beyond the rated capacity of the tool, which will shorten tool life and could cause injury.

Always use clean, dry air. Dust, corrosive fumes and/or water in the air line will cause damage to the tool. Drain the water from air lines and compressor prior to running tool. Clean the air inlet filter screen weekly. The recommended hookup procedure can be viewed in the Fig. 1.

The air inlet used for connecting air supply (FIG. 2) has standard 1/4" NPT. Line pressure should be increased to compensate for unusually long air hoses (over 25 feet). Minimum hose diameter should be 3/8" I.D. and fittings should have the same inside dimensions and be tightly secured.

Always turn off the air supply, drain hose of air pressure and detach tool from air supply before installing, removing or adjusting any part or accessory on this tool, or before performing any maintenance on this tool.

### ⚠WARNING

Ensure an accessible emergency shut off valve has been installed in the air supply line and make others aware of its location.

## TROUBLESHOOTING

Other factors outside the tool may cause loss of power or erratic action. Reduced compressor output, excessive drain on the air line, moisture or restrictions in air pipes or the use of hose connections of improper size or poor conditions may reduce air supply. Grit or gum deposits in the tool may cut power and may be corrected by cleaning the air strainer and flushing out the tool with gum solvent oil or an equal mixture of SAE #10 and kerosene. If outside conditions are in order, disconnect tool from hose and take tool to your nearest authorized service center.

## LUBRICATION & MAINTENANCE

Lubricate the air motor daily with high quality air tool oil. If no air line oiler is used, run 1/2 oz. of oil through the tool. The oil can be squirted into the tool air inlet or into the hose at the nearest connection to the air supply, then run the tool. A rust inhibitive oil is acceptable for air tools.

### ⚠WARNING

After an air tool has been lubricated, oil will discharge through the exhaust port during the first few seconds of operation. The exhaust port must be covered with a towel before applying air pressure to prevent serious injury.

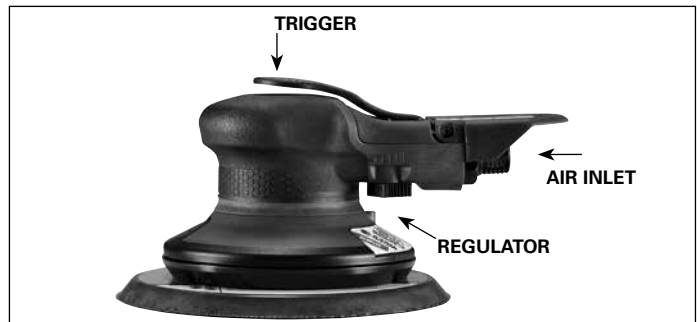


FIG. 2

## WARRANTY

Matco warrants this air tool for a period of 2 years to the consumer. We will repair any MT Series air tool covered under this warranty which proves to be defective in material or workmanship during the warranty period. In order to have your tool repaired, return the tool to any of the Matco Authorized Warranty Centers listed, freight prepaid. Please include a copy of your proof of purchase and a brief description of the problem. The tool will be inspected and if any part or parts are found to be defective in material or workmanship, the tool will be repaired free of charge and returned to you freight prepaid.

This warranty gives you specific rights. You may also have other rights which vary from state to state.

The foregoing obligation is Matco's sole liability under this or any implied warranty and under no circumstances shall Matco be liable for any incidental or consequential damages.

**Note:** Some states do not allow the exclusion or limitation of incidental or consequential damages so the above limitation or exclusion may not apply to you.

### NATIONAL MACHINE GROUP EAST AIR TOOL REPAIR CENTER

1330 Commerce Dr.  
Stow, OH 44224  
(330) 688-6494

### NATIONAL MACHINE GROUP WEST AIR TOOL REPAIR CENTER

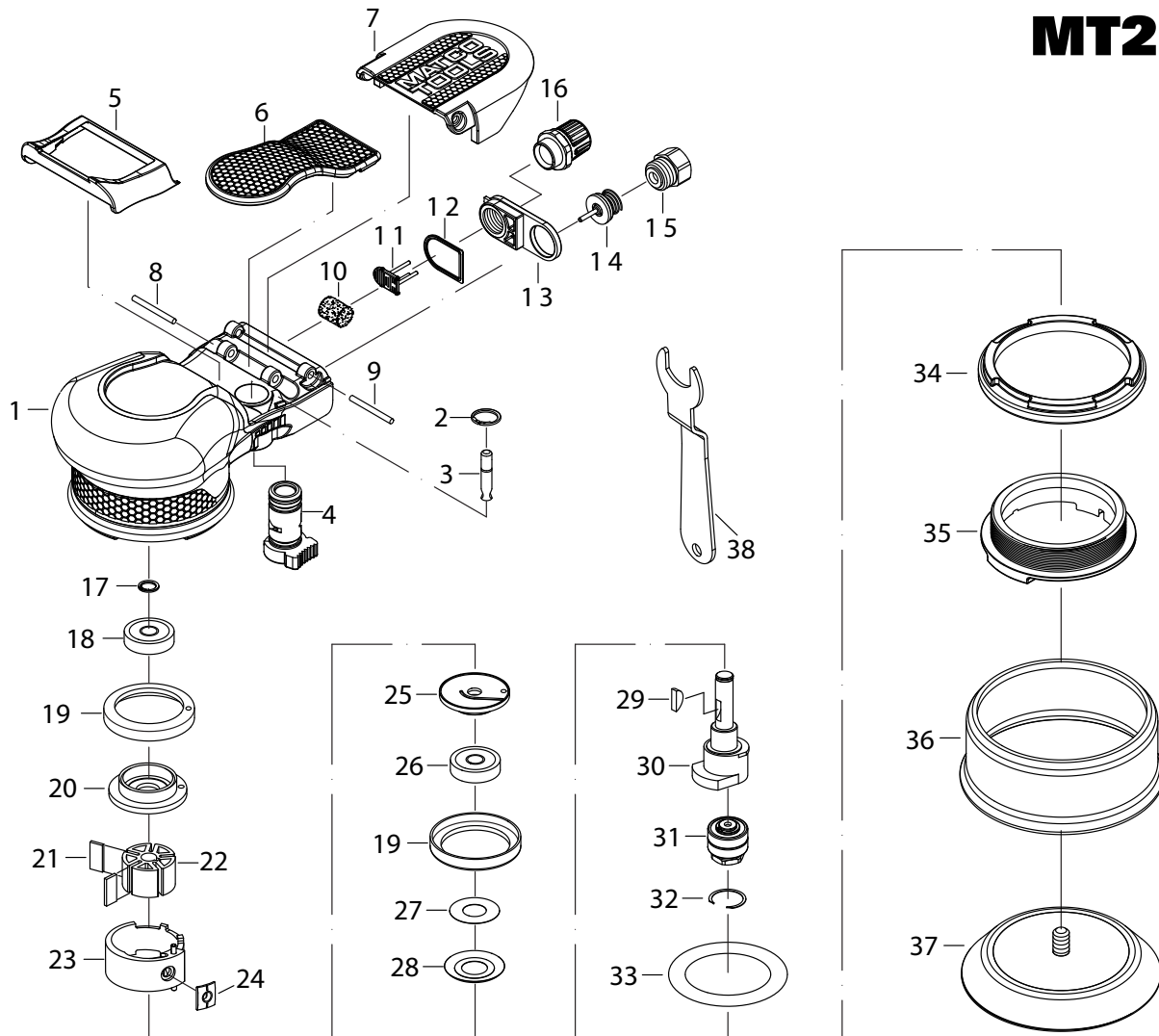
2223 S. Wilson Street  
Tempe, AZ 85282  
(480) 966-1097

### HT PNEUMATIC REBUILDERS

22 Goodmark Place Unit #8  
Toronto, ON M9w 6R2  
(416) 213-0172

# MT2532, MT2516, MT2533 RANDOM ORBITAL PALM SANDERS

## MT2533



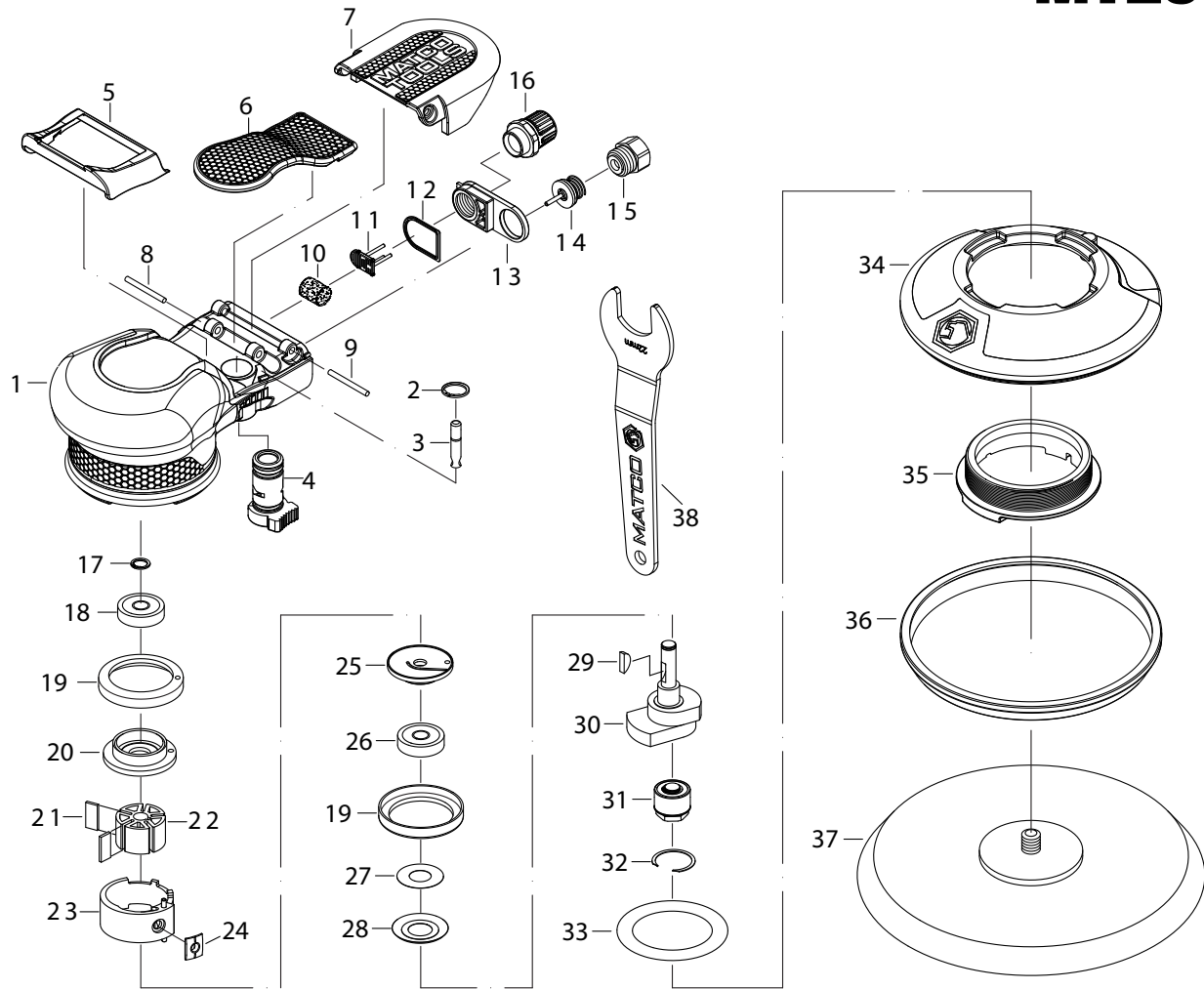
| REF. NO. | PART NO.  | DESCRIPTION         | QTY. |
|----------|-----------|---------------------|------|
| 01       | RS251601B | HOUSING             | 1    |
| 02       | RS246001  | SNAP RING (ISTW-13) | 1    |
| 03       | RS251602  | VALVE STEM SET      | 1    |
| 04       | RS251603  | REGULATOR SET       | 1    |
| 05       | RS251602B | HOUSING FRONT COVER | 1    |
| 06       | RS251605  | LEVER               | 1    |
| 07       | RS251606  | HOUSING REAR COVER  | 1    |
| 08       | RS251607  | PIN (3*32L)         | 1    |
| 09       | RS251608  | PIN (3*50L)         | 1    |
| 10       | RS246503  | SILENCER            | 1    |
| 11       | RS251609  | MUFFLER             | 1    |
| 12       | RS251610  | PACKING             | 1    |
| 13       | RS251611  | EXHAUST SLEEVE      | 1    |
| 14       | RS251612  | VALVE SET           | 1    |
| 15       | RS251613  | AIR INLET           | 1    |
| 16       | RS251614  | MUFFLER BODY SET    | 1    |
| 17       | RS246520  | SNAP RING           | 1    |
| 18       | RS10920   | BEARING (6000ZZ)    | 1    |
| 19       | RS233216  | RUBBER BUSHING      | 2    |
| 20       | RS246522  | REAR PLATE          | 1    |
| 21       | RS246019A | ROTOR BLADE         | 5    |

| REF. NO. | PART NO.   | DESCRIPTION                         | QTY. |
|----------|------------|-------------------------------------|------|
| 22       | RS316018   | ROTOR                               | 1    |
| 23       | RS246021   | CYLINDER SET                        | 1    |
| 24       | RS233224   | BUSHING                             | 1    |
| 25       | RS246529   | FRONT PLATE                         | 1    |
| 26       | RS221RA32  | BEARING (6002ZZ)                    | 1    |
| 27       | RS316024A  | WASHER                              | 1    |
| 28       | RS233229   | WASHER                              | 1    |
| 29       | RS246533   | ROTOR KEY                           | 1    |
| 30       | RS325029   | MOTOR SHAFT<br>BALANCER (3", 3/32") | 1    |
| 31       | RS253304   | SHAFT SET                           | 1    |
| 32       | RS233235   | SNAP RING                           | 1    |
| 33       | RS233238   | WASHER                              | 1    |
| 34       | RS253301B  | HOUSING COVER                       | 1    |
| 35       | RS251616   | LOCK NUT                            | 1    |
| 36       | RS253302   | SHROUD                              | 1    |
| 37       | RS253303   | 3" HOOK & LOOP PAD                  | 1    |
| 38       | RS233242   | STOP SPANNER (17MM)                 | 1    |
| N/S      | RSMT2533WL | WARNING LABEL                       | 1    |

Also Available: MT2332VP – 3" Vinyl Backing Pad  
 MT2332MP – 3" Hook and Loop Backing Pad

# MT2532, MT2516, MT2533 RANDOM ORBITAL PALM SANDERS

## MT2532



| REF. NO. | PART NO.  | DESCRIPTION         | QTY. |
|----------|-----------|---------------------|------|
| 01       | RS251601B | HOUSING             | 1    |
| 02       | RS246001  | SNAP RING (ISTW-13) | 1    |
| 03       | RS251602  | VALVE STEM SET      | 1    |
| 04       | RS251603  | REGULATOR SET       | 1    |
| 05       | RS251602B | HOUSING FRONT COVER | 1    |
| 06       | RS251605  | LEVER               | 1    |
| 07       | RS251606  | HOUSING REAR COVER  | 1    |
| 08       | RS251607  | PIN (3*32L)         | 1    |
| 09       | RS251608  | PIN (3*50L)         | 1    |
| 10       | RS246503  | SILENCER            | 1    |
| 11       | RS251609  | MUFFLER             | 1    |
| 12       | RS251610  | PACKING             | 1    |
| 13       | RS251611  | EXHAUST SLEEVE      | 1    |
| 14       | RS251612  | VALVE SET           | 1    |
| 15       | RS251613  | AIR INLET           | 1    |
| 16       | RS251614  | MUFFLER BODY SET    | 1    |
| 17       | RS246520  | SNAP RING           | 1    |
| 18       | RS10920   | BEARING (6000ZZ)    | 1    |
| 19       | RS233216  | RUBBER BUSHING      | 2    |
| 20       | RS246522  | REAR PLATE          | 1    |
| 21       | RS246019A | ROTOR BLADE         | 5    |

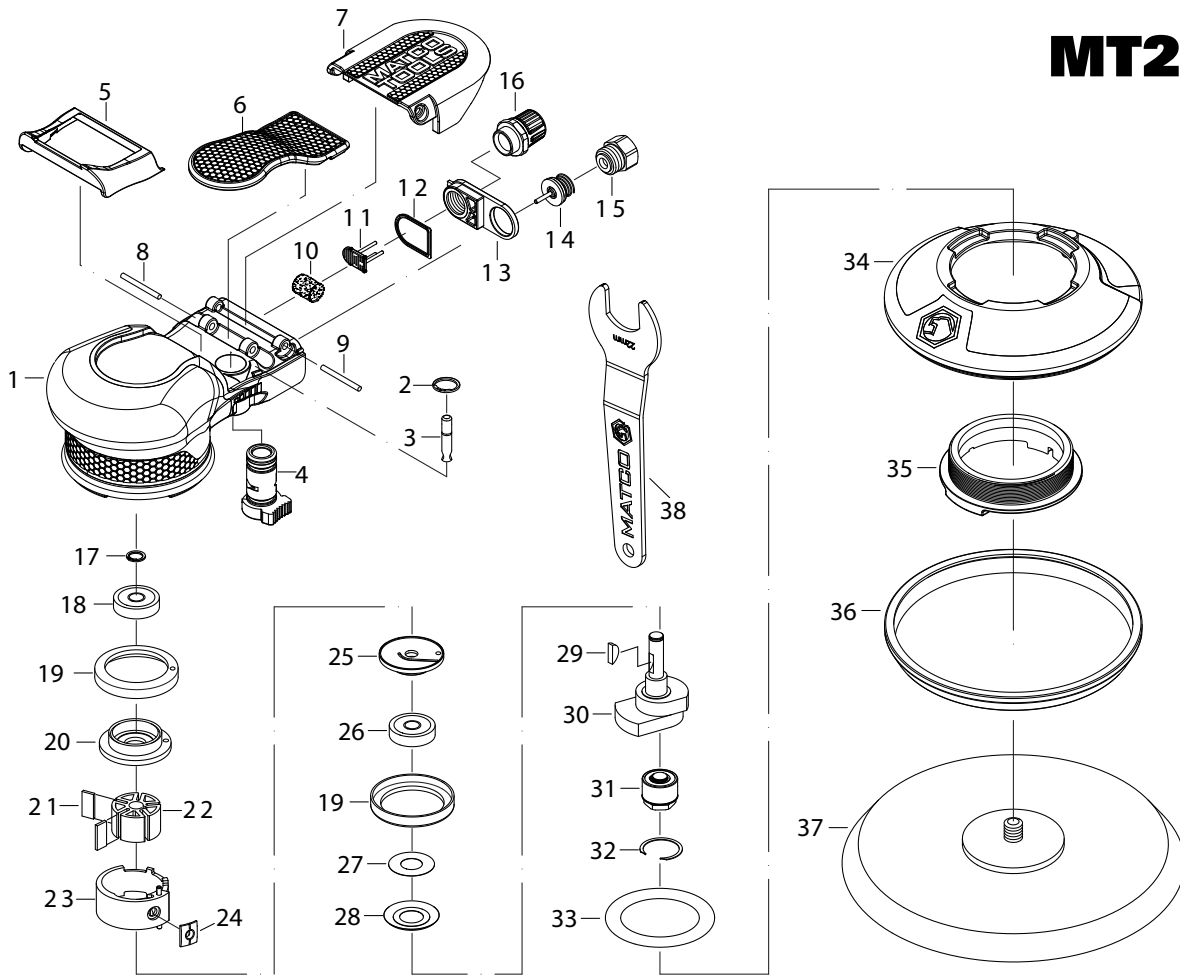
| REF. NO. | PART NO.   | DESCRIPTION                          | QTY. |
|----------|------------|--------------------------------------|------|
| 22       | RS316018   | ROTOR                                | 1    |
| 23       | RS246021   | CYLINDER SET                         | 1    |
| 24       | RS233224   | BUSHING                              | 1    |
| 25       | RS246529   | FRONT PLATE                          | 1    |
| 26       | RS221RA32  | BEARING (6002ZZ)                     | 1    |
| 27       | RS316024A  | WASHER                               | 1    |
| 28       | RS233229   | WASHER                               | 1    |
| 29       | RS246533   | ROTOR KEY                            | 1    |
| 30       | RS253201   | MOTOR SHAFT<br>BALANCER ( 6", 3/32") | 1    |
| 31       | RS251620   | SHAFT SET                            | 1    |
| 32       | RS246032   | SNAP RING (25.2X29.6X0.5)            | 1    |
| 33       | RS233238   | WASHER                               | 1    |
| 34       | RS251615B  | HOUSING COVER                        | 1    |
| 35       | RS251616   | LOCK NUT                             | 1    |
| 36       | RS251617   | SHROUD                               | 1    |
| 37       | RS251618   | 6" HOOK & LOOP PAD                   | 1    |
| 38       | RS251619   | STOP SPANNER                         | 1    |
| N/S      | RSMT2532WL | WARNING LABEL                        | 1    |

Also Available: MT2460VP – 6" Vinyl Backing Pad  
 MT2460HP – 6" Hook and Loop Backing Pad  
 MT25VCK – Vacuum Kit



# MT2532, MT2516, MT2533 RANDOM ORBITAL PALM SANDERS

## MT2516



| REF. NO. | PART NO.  | DESCRIPTION                    | QTY. |
|----------|-----------|--------------------------------|------|
| 01       | RS251601G | HOUSING - GREEN                | 1    |
|          | RS251601B | HOUSING - BURGUNDY             | 1    |
|          | RS251601O | HOUSING - ORANGE               | 1    |
| 02       | RS246001  | SNAP RING (ISTW-13)            | 1    |
| 03       | RS251602  | VALVE STEM SET                 | 1    |
| 04       | RS251603  | REGULATOR SET                  | 1    |
| 05       | RS251602G | HOUSING FRONT COVER - GREEN    | 1    |
|          | RS251602B | HOUSING FRONT COVER - BURGUNDY | 1    |
|          | RS251602O | HOUSING FRONT COVER - ORANGE   | 1    |
| 06       | RS251605  | LEVER                          | 1    |
| 07       | RS251606  | HOUSING REAR COVER             | 1    |
| 08       | RS251607  | PIN (3*32L)                    | 1    |
| 09       | RS251608  | PIN (3*50L)                    | 1    |
| 10       | RS246503  | SILENCER                       | 1    |
| 11       | RS251609  | MUFFLER                        | 1    |
| 12       | RS251610  | PACKING                        | 1    |
| 13       | RS251611  | EXHAUST SLEEVE                 | 1    |
| 14       | RS251612  | VALVE SET                      | 1    |
| 15       | RS251613  | AIR INLET                      | 1    |
| 16       | RS251614  | MUFFLER BODY SET               | 1    |
| 17       | RS246520  | SNAP RING                      | 1    |
| 18       | RS10920   | BEARING (6000ZZ)               | 1    |
| 19       | RS233216  | RUBBER BUSHING                 | 2    |
| 20       | RS246522  | REAR PLATE                     | 1    |
| 21       | RS246019A | ROTOR BLADE                    | 5    |

| REF. NO. | PART NO.   | DESCRIPTION                     | QTY. |
|----------|------------|---------------------------------|------|
| 22       | RS316018   | ROTOR                           | 1    |
| 23       | RS246021   | CYLINDER SET                    | 1    |
| 24       | RS233224   | BUSHING                         | 1    |
| 25       | RS246529   | FRONT PLATE                     | 1    |
| 26       | RS221RA32  | BEARING (6002ZZ)                | 1    |
| 27       | RS316024A  | WASHER                          | 1    |
| 28       | RS233229   | WASHER                          | 1    |
| 29       | RS246533   | ROTOR KEY                       | 1    |
| 30       | RS316027   | MOTOR SHAFT BALANCER (6",3/16") | 1    |
| 31       | RS251620   | SHAFT SET                       | 1    |
| 32       | RS246032   | SNAP RING (25.2X29.6X0.5)       | 1    |
| 33       | RS233238   | WASHER                          | 1    |
| 34       | RS251615G  | HOUSING COVER - GREEN           | 1    |
|          | RS251615B  | HOUSING COVER - BURGUNDY        | 1    |
|          | RS251615O  | HOUSING COVER - ORANGE          | 1    |
| 35       | RS251616   | LOCK NUT                        | 1    |
| 36       | RS251617   | SHROUD                          | 1    |
| 37       | RS251618   | 6" HOOK & LOOP PAD              | 1    |
| 38       | RS251619   | STOP SPANNER                    | 1    |
| N/S      | RSMT2516WL | WARNING LABEL                   | 1    |

Also Available: MT2460VP – 6" Vinyl Backing Pad  
 MT2460HP – 6" Hook and Loop Backing Pad  
 MT25VCK – Vacuum Kit



**MT2532, MT2516, MT2533**

**LIJADORA MANUAL DE  
ÓRBITA ALEATORIA  
PONCEUSE À MAIN ORBITALE  
À MOUVEMENT ALÉATOIRE**

Instrucciones de Operación  
Inforación de Advertencia  
Revisión de Refacciones

# RANDOM ORBIT PALM SANDERS



## ESPECIFICACIONES

|                                  | <b>MT2533</b>         | <b>MT2532</b>         | <b>MT2516</b>         |
|----------------------------------|-----------------------|-----------------------|-----------------------|
| Diámetro de almohadilla.....     | 3"                    | 6"                    | 6"                    |
| Tamaño de órbita aleatoria ..... | 3/32"                 | 3/32"                 | 3/16"                 |
| Velocidad libre .....            | 12,000                | 12,000                | 12,000                |
| Caballos de fuerza .....         | 0.3 HP                | 0.3 HP                | 0.3 HP                |
| Roscas del eje .....             | 3/8"-24               | 3/8"-24               | 3/8"-24               |
| Consumo de aire promedio.....    | 2.4 CFM               | 2.4 CFM               | 2.4 CFM               |
| Entrada de aire.....             | 1/4" NPT              | 1/4" NPT              | 1/4" NPT              |
| Tamaño mín. de manguera .....    | 3/8" ID               | 3/8" ID               | 3/8" ID               |
| Altura almohadilla.....          | 3-1/2"                | 3-5/8"                | 3-5/8"                |
| Peso almohadilla .....           | 1.3                   | 1.9                   | 1.9                   |
| Nivel sonoro .....               | 81.2                  | 81.2                  | 81.2                  |
| Nivel vibratorio .....           | 4.14 m/s <sup>2</sup> | 4.14 m/s <sup>2</sup> | 4.14 m/s <sup>2</sup> |

### ⚠ ADVERTENCIA



**LEER SIEMPRE LAS  
INSTRUCCIONES  
ANTES DE  
USAR LAS  
HERRAMIENTAS  
NUEMÁTICAS**



**USAR SIEMPRE  
ANTEOJOS  
PROTECTORES**



**USAR SIEMPRE  
PROTECCIÓN  
PARA LOS OÍDOS**



**EVITAR  
EXPOSICIÓN  
PROLONGADA A  
LAS VIBRACIONES**

### ⚠ ADVERTENCIA

**El polvo creado por la lijación eléctrica, la aserradura, la trituración, la perforación y otras actividades de construcción contiene químicos conocidos como causantes de cáncer, defectos de nacimiento u otros daños a reproducción. Algunos ejemplos de dichos químicos son:**

- El plomo proveniente de pintura con base de plomo,
- La silica cristalina de ladrillo y cemento y otros productos de mampostería, y
- El arsénico y el cromo de maderos químicamente tratados.

**El riesgo de dichas exposiciones varía, dependiendo de la frecuencia con la cual usted realice este tipo de trabajo. Para reducir su exposición a dichos químicos: trabaje en una área bien ventilada y con equipo de seguridad aprobado, tales como las máscaras anti-polvo, los que son específicamente diseñados para filtrar las partículas microscópicas.**



## ⚠ ADVERTENCIA

### EL INCUMPLIMIENTO DE OBSERVAR ESTAS ADVERTENCIAS PUEDEN RESULTAR EN ALGUNA LESIÓN

ESTE MANUAL DE INSTRUCCIONES CONTIENE INFORMACIÓN IMPORTANTE DE SEGURIDAD.

LEA CUIDADOSAMENTE ESTE MANUAL INSTRUCTIVO Y COMPRENDA TODA INFORMACIÓN ANTES DE OPERAR ESTA HERRAMIENTA.



- Lea y comprenda todas las instrucciones. Hacer caso omiso al seguir todas las instrucciones alistadas a continuación podría ocasionar el choque eléctrico, incendio, explosiones y/o lesiones personales serias. Es la responsabilidad del propietario asegurarse que todo el personal lea este manual previo al uso de esta herramienta. También es la responsabilidad del propietario de herramienta mantener intacto este manual y en un lugar conveniente para que todos lo lean y vean. Si el manual o las etiquetas se hayan perdido o no sean legibles, comuníquese con Matco Tools por algunos repuestos. Si el operador no domina el idioma inglés, las instrucciones del producto y de seguridad le serán leídas y discutidas con el operador en el idioma materno del operador por parte del comprador/propietario o su designado, asegurándose que el operador comprenda el contenido.

- Opere, inspeccione y mantenga siempre esta herramienta de acuerdo con el Código de Seguridad del Instituto Americano de Estándares Nacionales para las Herramientas Portátiles Neumáticas (ANSI B186.1) y cualquier otro código o regulación aplicables.

- Por seguridad, desempeño superior y durabilidad máxima de las refacciones, opere esta herramienta a la máxima presión de aire al 90 psig; 6.2 barg. con una manguera de alimentación de aire de 3/8" en diámetro.

- Al operar o al realizar el mantenimiento de esta herramienta, lleve siempre la protección de ojos resistentes al impacto (usuarios y espectadores).

- Siempre lleve puesto seguridad respirador (usuarios y espectadores).

- Con el fin de reducir la exposición a los escombros de lijado, trabaje en un área bien ventilada con el equipo de protección personal adecuado.

- Niveles de sonidos altos pueden provocar una pérdida permanente del oído. Utilice una protección para las orejas según las recomendaciones de su patrón las regulaciones OSHA (usuarios y espectadores).

- Mantenga esta herramienta en condición eficiente de operación.

- Los operadores y personal de mantenimiento deben poder físicamente manejar el volumen, peso y potencia de esta herramienta.

- El aire bajo presión puede ocasionar alguna herida severa. Nunca dirija el aire hacia usted ni a otros. Apague siempre la alimentación de aire, vacíe la manguera de toda presión de aire y separe la herramienta de la alimentación de aire antes de instalar, quitar o ajustar cualquier accesorio de esta herramienta, o antes de realizar cualquier mantenimiento de esta herramienta. La falla en hacerlo podría resultar en alguna lesión. Las mangueras de látigo pueden ocasionar alguna herida seria. Revise siempre las mangueras y herrajes por daños, deshilachas o solturas, y repóngalos inmediatamente. No use en la herramienta los acoplamientos de rápida separación. Vea las instrucciones por la instalación correcta.

- Mantenga lejos del alcance de los niños.

- Las herramientas neumáticas pueden vibrar con su uso. Las vibraciones, movimientos repetitivos o posiciones incómodas durante períodos extendidos de tiempo pueden ser dañinos para sus manos y brazos. Suspnda el uso de la herramienta si experimente molestias, estremecimiento o dolor. Antes de continuar usándola, solicite el consejo médico.

- Resbalarse, tropezarse y/o caerse durante la operación de herramientas neumáticas puede ser una causa mayor de



lesión seria o la muerte. Sea consciente de la manguera excedente, dejada por la superficie para caminar o trabajar.

- Mantenga balanceada y firme la postura corporal de trabajo. No se extra limite al operar esta herramienta.

- Coloque la herramienta sobre la superficie de trabajo antes de hacerla funcionar. No apunte con ni se enrede en juegos bruscos con esta herramienta.

- Note el sentido de la rotación ANTES de operar esta herramienta.

- Anticipe y sea alerta por cambios repentinos de movimiento durante el arranque inicial y operación de cualquier herramienta neumática.

- No lleve la herramienta por la manguera. Proteja la manguera de objetos afilados y del calor.

- El eje de la herramienta puede seguir rotando brevemente después de que se libere la válvula reguladora. Evite el contacto directo con los accesorios durante y después del uso. Los guantes reducirán el riesgo de alguna cortada o quemadura.

- Manténgase lejos del extremo rotador de la herramienta. No lleve puesto ni joyería ni ropa suelta. Fije el pelo largo. Se puede arrancar el cabello si no se lo mantenga a distancia de la herramienta y accesorios. Mantenga a distancia de la herramienta y de los accesorios los accesorios del cuello para evitar el ahogamiento.

- NO use (ni altere) la herramienta para ningún otro uso excepto el para el cual fue diseñado, sin consultar primero a algún representante autorizado del fabricante.

- Llaves de impacto no son dispositivos de control dinamométrico. Las abrazaderas que tengan requisitos específicos de torsión deben estar verificadas con los dispositivos apropiados de control dinamométrico, después de la instalación con una llave de impacto.

- No bloquee, ni use cinta ni alambre para sujetar la palanca de seguridad "on/off" (encendido/apagado) en la posición de "on" (encendido), dado que la palanca deberá estar libre de volverse a la posición de "off" ("apagada") al liberarse.**

- Use sólo una almohadilla para lijar y papel de lija con esta herramienta.

- No use ninguna rueda de esmeril, fresa ni accesorio de extracción de metal con esta herramienta.

- LAS RPM DEL ACCESORIO DEBERÁN EXCEDER LAS RPM DE LA HERRAMIENTA.**

- Use los accesorios recomendados por Matco Tools.

- No lubrique las herramientas con soluciones inflamables ni volátiles, tales como el queroseno, el gasóleo ni el combustible para aviones.

- Esta herramienta no está aislada contra el choque eléctrico.

- Esta herramienta no debe emplearse en ambientes explosivos.

- Las reparaciones y mantenimiento deben realizarse sólo por parte de un centro de servicio autorizado.

- No fuerce las herramientas más allá de su capacidad nominal.

- No quite ninguna etiqueta. Reponga las etiquetas dañadas.

- No cumplir con estas indicaciones puede provocar lesiones graves o peligro de muerte, así como daños materiales.



**ADVERTENCIA:** Este producto le podrá exponer a ciertos químicos, para incluir el níquel, conocidos en el Estado de California por ocasionar cáncer y defectos congénitos u otros daños a la reproducción. Para mayores informes, visite: [www.P65Warnings.ca.gov](http://www.P65Warnings.ca.gov).

## OPERACIÓN

Seleccione un disco abrasivo adecuado y asegúrese que esté sujetado seguramente a la almohadilla. Conecte un suministro de aire adecuado, según se recomienda en la Figura 1. La entrada de aire en esta herramienta cuenta con una rosca NPT ¼" estándar.

Después de montar el papel de lija, arranque esta lijadora debajo del banco con el fin de asegurar que el papel de lija esté firmemente sujetado. Coloque la lijadora paralelamente sobre el trabajo y muévala de un lado para otro en áreas anchas sobrepuestas. Se podrá ejercer una presión adicional con el fin de realizar un uso más eficiente de la herramienta cuando el material a lijarse es grueso. Se podrá ejercer una presión ligera para el lijado delicado o al momento de usar los bordes de la almohadilla de lijado. Después de terminar el trabajo de lijado, levántelo de la pieza de trabajo antes de apagar el motor.

Tómese grandes precauciones durante el lijado cerca de los bordes y superficies puntiagudos, con el fin de evitar el enganche del disco, p.e. se podrá detener el disco abruptamente o reducir su velocidad considerablemente lo cual ocasionará que la herramienta se patee en las manos del operador. Siempre se recomienda usar guantes y goggles de seguridad. El lijado de ciertos materiales podrá crear un polvo peligroso lo cual podrá estipular el uso de un respirador especial. Revise antes del uso de la herramienta. Se recomienda el uso del equipo de respiración adecuado durante el lijado. Aun si la herramienta cuenta con un nivel sonoro bajo, el proceso de lijado real podrá ocasionar un nivel sonoro que requiera la protección de los oídos. Se recomienda usar la protección de oídos durante el trabajo de lijado.

No use discos abrasivos desgastados u obstruidos. Lo mismo volverá ineficiente el proceso de lijado y aumentará la necesidad de aplicar alta presión innecesaria a la herramienta. No use discos de lijado por debajo o por arriba del tamaño medio. El disco no deberá ser más de un ¼" más grande en diámetro que la almohadilla y nunca más pequeño que el tamaño de la almohadilla.

Se encuentra un regulador neumático en el lateral de la carcasa de la herramienta. Éste se podrá usar con el fin de variar el volumen del aire comprimido alimentado al motor, lo cual variará la velocidad de la lijadora.

**Apague siempre el suministro de aire, vacíe la manguera de su presión de aire y desconecte la herramienta del suministro de aire antes de instalar, extraer o ajustar cualquier accesorio complementario en esta herramienta o antes de realizar cualquier servicio a la herramienta.**

**NOTA:** La torsión real sobre una abrazadera está directamente relacionada conjuntamente con la dureza, la velocidad de la herramienta, la condición del casquillo y el tiempo que se deda a la herramienta para el impacto.

Utilice el acoplamiento más simple que sea posible. Cada una de las conexiones absorbe energía y reduce la potencia.

**NOTA:** Durante la operación, se deben llevar goggles de seguridad contra la corrosión y astillas volantes (usuarios y espectadores).

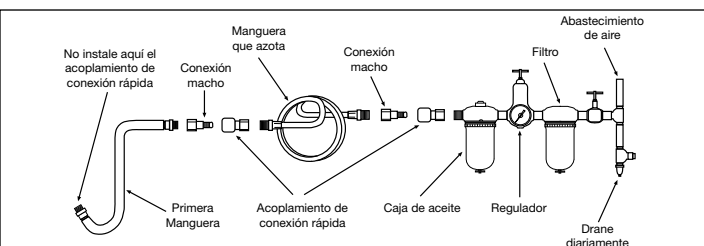


FIG. 1

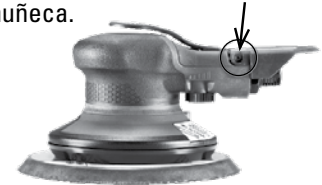
## ENSAMBLE DE LA ASPIRADORA

Para instalar el MT25VCK (Ensamble de la aspiradora)

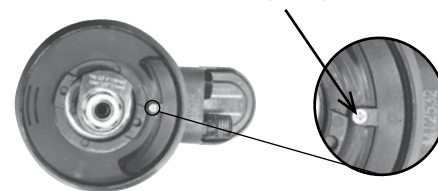
1. Desconecte el suministro de aire.
2. Extraiga el silenciador de aire.



3. Use un punzón 3mm para extraer el pasador de resorte de la cubierta de soporte de muñeca.



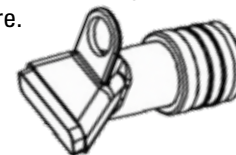
4. Extraiga y deje reposar temporalmente a un lado el pasador y la cubierta de soporte de muñeca.
5. Extraiga la almohadilla de respaldo 6" con la llave inglesa.
6. Extraiga el tornillo cabezal Philips® para extraer la cubierta.



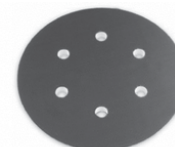
7. Usando una llave o casquillo 19mm, extraiga el silenciador de aire.
8. Deslice en su posición la cubierta de la carcasa de la aspiradora.



9. Instale de nuevo el tornillo cabezal Philips® para sujetar la cubierta de la carcasa de la aspiradora.
10. Deslice en su posición el adaptador de la aspiradora sobre el silenciador de aire.



11. Instale de nuevo el silenciador de aire con el fin de comprimir y sostener en su lugar el adaptador de la aspiradora.
12. Instale de nuevo el pasador de resorte y la cubierta del soporte de muñeca.
13. Instale una nueva almohadilla de respaldo 6" con agujeros de succión.



## ALIMENTACIÓN DE AIRE

Las herramientas de esta categoría operan dentro de un rango amplio de presión de aire. Al trabajar libremente, se recomienda que la presión de aire de estas herramientas mida a un 90 psig en la herramienta. La presión alta y el aire sucio disminuirán la vida de la herramienta debido al desgaste más rápido, y pueden crear condiciones peligrosas.

Cualquier agua en la línea de aire dañará la herramienta. Drene diariamente el tanque de aire. Limpie al menos semanalmente la malla de filtración de la ventila de admisión de aire. El procedimiento recomendado de conexión se puede revisar en la Figura 1.

La ventila de admisión de aire (Figura 2), empleada para la conexión de abastecimiento de aire, cuenta con la Rosca Estándar Americana NPT 1/4".

La presión de línea debe ser aumentada para compensar por mangueras excepcionalmente largas (más de 25 pies). El diámetro mínimo de manguera debe ser de 3/8" Diám. Int. y los herrajes deben tener la misma dimensión interior.

### ⚠ ADVERTENCIA

Asegúrese que se haya instalado una válvula accesible de apagado por emergencia en la línea de suministro de aire e informe a otros de su ubicación.

## DIAGNÓSTICO DE AVERÍAS

Otros factores independientes de la herramienta pueden ocasionar la pérdida de potencia o alguna acción errática. Las emisiones reducidas de la salida del compresor, el drenaje excesivo en la línea de aire, la humedad o las restricciones en las pipas de aire o el uso de conexiones de manguera de tamaño inadecuado, o pobres condiciones, pueden disminuir el suministro de aire. Si las condiciones exteriores son adecuadas y la herramienta aún funciona de forma errática, desconecte la herramienta de la manguera y lleve la herramienta al centro de servicio autorizado Matco más cercano a usted.

## LUBRICACIÓN Y MANTENIMIENTO

Lubrique el motor neumático diariamente con un aceite para herramientas neumáticas de alta calidad. Si no se usa ningún lubricador de línea de aire, deje correr una 1/2 oz. de aceite por la herramienta. El aceite puede echarse por chorrito en la entrada de aire de la herramienta o en la manguera en la conexión más cercana al suministro de aire, luego opere la herramienta. Un aceite anti- corrosión es aceptable para las herramientas neumáticas. El sobre rellenado ocasionará una reducción en la potencia de la herramienta.

Después de que se haya lubricado una herramienta neumática, el aceite se descargará por el puerto de escape durante los primeros segundos de la operación. El puerto de escape deberá cubrirse con una toalla antes de aplicar una presión de aire con el fin de prevenir lesiones serias.

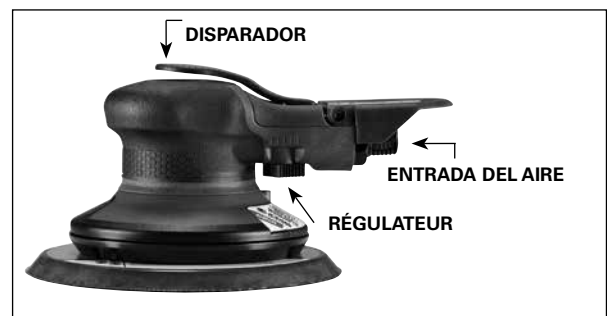


FIG. 2

## GARANTÍA

Matco garantiza esta herramienta neumática por un periodo de 2 años para el consumidor. Reparemos cualquier herramienta neumática de la Serie MT, cubierta bajo esta garantía, la cual demuestra ser defectuosa en cuestión material o mano de obra durante el período de dicha garantía. Para que se repare su herramienta, devuelva la herramienta a cualquiera de los Centros de Garantía Autorizados de Matco alistados a continuación, con el flete prepago. Incluye por favor una copia de su comprobación de compra y una breve descripción del problema. Se inspeccionará la herramienta y si cualquier pieza o piezas se encuentre(n) con algún defecto material o de mano de obra, se reparará la herramienta, libre de cargos, y ésta será devuelta a usted con flete prepago.

Esta garantía le proporciona ciertos derechos. Usted puede tener también otros derechos los cuales varían de estado a estado.

La obligación anterior es la única responsabilidad de Matco bajo esta o cualquier garantía implicada y Matco no será, bajo ninguna circunstancia, responsable por los daños incidentales ni consecuenciales.

**NOTA:** Esta garantía le brinda derechos legales específicos y usted también podría contar con otros derechos los cuales varían de estado a estado.

**NATIONAL MACHINE GROUP EAST  
AIR TOOL REPAIR CENTER**  
1330 Commerce Dr.  
Stow, OH 44224  
(330) 688-6494

**NATIONAL MACHINE GROUP WEST  
AIR TOOL REPAIR CENTER**  
2223 S. Wilson Street  
Tempe, AZ 85282  
(480) 966-1097

**HT PNEUMATIC REBUILDERS**  
22 Goodmark Place Unit #8  
Toronto, ON M9w 6R2  
(416) 213-0172

**LIJADORA MANUAL DE ÓRBITA ALEATORIA  
PONCEUSE À MAIN ORBITALE  
À MOUVEMENT ALÉATOIRE**

Instructions de fonctionnement  
Avertissement  
Pièces

**RANDOM  
ORBIT PALM  
SANDERS**



**SPÉCIFICATIONS**

|                                  | <b>MT2533</b>                 | <b>MT2532</b>                 | <b>MT2516</b>                 |
|----------------------------------|-------------------------------|-------------------------------|-------------------------------|
| Diamètre du tampon.....          | 3"                            | 6"                            | 6"                            |
| Taille du ponçage aléatoire..... | 3/32"                         | 3/32"                         | 3/16"                         |
| Vitesse en régime libre.....     | 12,000.....                   | 12,000.....                   | 12,000.....                   |
| Puissance en HP.....             | 0.3 HP.....                   | 0.3 HP.....                   | 0.3 HP.....                   |
| Filetages de broche.....         | 3/8"-24.....                  | 3/8"-24.....                  | 3/8"-24.....                  |
| Consommation d'air moyenne.....  | 2.4 CFM.....                  | 2.4 CFM.....                  | 2.4 CFM.....                  |
| Entrée d'air.....                | 1/4" NPT.....                 | 1/4" NPT.....                 | 1/4" NPT.....                 |
| Dimension minimale du tuyau..... | 3/8" I.D.....                 | 3/8" I.D.....                 | 3/8" I.D.....                 |
| Hauteur avec disque.....         | 3-1/2".....                   | 3-5/8".....                   | 3-5/8".....                   |
| Poids avec disque.....           | 1.3 lbs.....                  | 1.9 lbs.....                  | 1.9 lbs.....                  |
| Niveau sonore.....               | 81.2.....                     | 81.2.....                     | 81.2.....                     |
| Vibration.....                   | 4.14 (m/s <sup>2</sup> )..... | 4.14 (m/s <sup>2</sup> )..... | 4.14 (m/s <sup>2</sup> )..... |

**⚠ AVERTISSEMENT**



**LISEZ TOUJOURS  
LES INSTRUCTIONS  
AVANT D'UTILISER  
LES OUTILS  
MOTORISÉS.**



**PORTEZ TOUJOURS  
DES LUNETTES DE  
SÉCURITÉ.**



**PORTEZ TOUJOURS  
UNE PROTECTION  
POUR LES OREILLES.**



**ÉVITEZ L'EXPOSITION  
PROLONGÉE AUX  
VIBRATIONS.**

**⚠ AVERTISSEMENT**

**Certaines poussières produites par le sablage, le sciage, le meulage, le perçage et autres activités de construction contiennent des produits chimiques qui peuvent causer le cancer, des anomalies congénitales ou autres problèmes de reproduction. Voici quelques exemples de produits chimiques :**

- Plomb provenant des peintures,
- Silicium cristallin provenant des briques, du ciment et d'autres produits de maçonnerie et
- Arsenic et chrome provenant du bois traité chimiquement. Le risque que présentent ces expositions varient selon le nombre de fois que vous faites ce type de travail. Pour réduire l'exposition à ces expositions : travaillez dans un endroit bien ventilé et travaillez avec l'équipement de sécurité approuvé comme les masques à poussière qui sont conçus pour filtrer les particules microscopiques.

# ⚠ AVERTISSEMENT

## LE MANQUE D'OBSERVER CES AVERTISSEMENTS PEUT CAUSER DES BLESSURES

CE GUIDE D'UTILISATION RENFERME D'IMPORTANTES CONSIGNES DE SÉCURITÉ.

LISEZ CE GUIDE D'UTILISATION ATTENTIVEMENT ET ASSUREZ-VOUS D'AVOIR BIEN COMPRIS TOUTES LES DIRECTIVES AVANT D'UTILISER CET OUTIL.



- Veuillez lire et bien comprendre toutes les instructions. Tout manquement aux instructions indiquées ci-après pourrait entraîner un choc électrique, un incendie, une explosion et/ou des blessures personnelles graves. Il est de la responsabilité du propriétaire de s'assurer que tout le personnel lise ce manuel avant d'utiliser l'outil. Il revient aussi au propriétaire de l'outil de conserver ce manuel en bon état et dans un endroit accessible permettant au manuel d'être vu et lu par tous. Si le manuel ou les étiquettes du produit sont perdus ou illisibles, contactez Matco Tools pour les faire remplacer. Si l'utilisateur-opérateur de l'outil ne maîtrise pas bien l'anglais, les instructions relatives au produit et aux mesures de sécurité devront être lues et discutées avec l'opérateur dans sa langue maternelle par l'acheteur-propriétaire ou toute personne habilitée par lui à le faire, en s'assurant que l'opérateur en comprend bien le contenu.



- Veuillez toujours utiliser, inspecter et entretenir cet outil conformément au code de sécurité ANSI sur les outils pneumatiques portatifs (ANSI B186.1) et à tout autre loi ou règlement relatif à la sécurité.



- Pour assurer un fonctionnement sécuritaire, un rendement optimal et la durabilité des pièces, utilisez une pression d'air maximale de 90 lb/po<sup>2</sup>, 6,2 bar et un boyau d'un diamètre de 3/8 po.



- Portez toujours des lunettes et un appareil respiratoire (utilisateurs et spectateurs).



- Pour réduire l'exposition aux débris de ponçage, travaillez dans une zone bien aérée avec des équipements de protection individuelle appropriés.



- Les niveaux sonores élevés peuvent provoquer une perte auditive permanente. Portez toujours l'équipement de protection auditive recommandé par votre employeur et les règlements de l'OSHA quand vous utilisez cet outil (utilisateur et personnes à proximité).



- Conservez cet outil en bon état de marche.



- Les personnes qui utilisent ou entretiennent cet outil être capables de le manipuler compte tenu de sa grosseur, de son poids et de sa puissance.



- El aire bajo presión puede ocasionar alguna herida severa. Nunca dirija el aire hacia usted ni a otros. Apague siempre la alimentación de aire, vacíe la manguera de toda presión de aire y separe la herramienta de la alimentación de aire antes de instalar, quitar o ajustar cualquier accesorio de esta herramienta, o antes de realizar cualquier mantenimiento de esta herramienta. La falla en hacerlo podría resultar en alguna lesión. Las mangueras de látigo pueden ocasionar alguna herida seria. Revise siempre las mangueras y herrajes por daños, deshilachas o solturas, y repóngalos inmediatamente. No use en la herramienta los acoplamientos de rápida separación. Vea las instrucciones por la instalación correcta.



- Garder l'outil hors de la portée des enfants.



- Les outils pneumatiques peuvent vibrer pendant l'utilisation. Les vibrations, mouvements répétitifs ou positions inconfortables pendant périodes étendues de temps peuvent être dommageables pour vos mains et bras. Suspenda el uso de la herramienta si experimente molestias, estremecimiento o dolor. Antes de continuar usándola, solicite el consejo médico.

- Une glissade, un trébuchage et/ou une chute lors de l'utilisation d'outils pneumatiques peut causer de sérieuses blessures ou la mort. Prenez garde aux boyaux qui traînent par terre dans l'aire de travail.

- Votre posture doit être stable. Évitez de travailler à bout



de bras.

- Placer l'outil sur la pièce à travailler avant de le mettre en marche. Ne pas pointer l'outil vers une personne ni l'utiliser à mauvais escient.



- Vérifier le sens de rotation AVANT d'utiliser cet outil.



- Calculez vos mouvements et prenez garde aux changements brusques de position quand vous utilisez un outil électrique.



- Ne tenez pas l'outil par le boyau d'alimentation. Protégez le boyau des objets tranchants et de la chaleur.

- L'arbre de l'outil peut continuer de tourner brièvement une fois la gâchette relâchée. Évitez tout contact direct avec les accessoires pendant ou après l'utilisation. Le port de gants réduit les risques de coupures ou de brûlures.

- Rester à l'écart de l'extrémité de l'outil. Ne portez pas de bijoux ni de vêtements amples. Les cheveux longs doivent demeurer hors de portée de l'outil et de ses accessoires pour éviter tout scalp accidentel. Tenez les cravates et les colliers hors de portée de l'outil, car ils présentent un risque de suffocation.

- **Le levier de sécurité « on/off » ne doit pas être verrouillé, ni bloqué avec du ruban adhésif ou du fil électrique dans la position « on », de façon à le laisser revenir à la position « off » lorsqu'il est relâché.**

- Ne pas utiliser (ou modifier) l'outil à d'autres fins que celles pour lesquelles elle a été conçue sans consulter le représentant autorisé du fabricant.

- Les clés à chocs ne sont pas des régulateurs de couple de serrage. Lorsque vous utilisez une clé à chocs pour boulonner un élément requérant un couple précis, vérifiez ce dernier à l'aide d'un dispositif de mesure de couple.

- Utilisez uniquement un patin de polissage et du papier sablé avec cet outil.



- N'utilisez pas de fraises-meules ou de fraises, ni tout autre accessoire servant à enlever le métal.

- **LES RPM DE L'ACCESSOIRE DOIVENT ÊTRE SUPÉRIEURS À CEUX DE L'OUTIL.**

- Utilisez les accessoires recommandés par Matco Tools.

- Ne pas lubrifier les outils avec des liquides inflammables ou volatils comme le kérosène, le diesel ou le carburant d'avion.



- Cet outil n'est pas isolé du point de vue des chocs électriques.



- Ne pas utiliser cet outil dans une atmosphère explosive.



- L'entretien et les réparations ne devraient être effectués que dans un centre de service autorisé.

- Évitez de forcer l'outil en l'utilisant au-delà de sa puissance nominale.

- N'enlevez aucune étiquette. Remplacez toute étiquette abîmée.

- Le manquement d'observer ces inscriptions peut avoir comme conséquence des blessures sérieuses ou mortelles et/ou des dégâts matériels.



**AVERTISSEMENT:** Ce produit peut vous exposer à des produits chimiques y compris le nickel, reconnu par l'État de la Californie comme causant le cancer et des anomalies congénitales ou d'autres effets nuisibles sur la reproduction. Pour de plus amples informations, aller à [www.P65Warnings.ca.gov](http://www.P65Warnings.ca.gov).



# MT2532, MT2516, MT2533 PONCEUSE À MAIN ORBITALE À MOUVEMENT ALÉATOIRE

## INSTRUCTIONS DE FONCTIONNEMENT

Sélectionnez un disque à poncer approprié et assurez-vous qu'il est fixé solidement au patin. Connectez une alimentation en air appropriée tel que recommandé dans la Figure 1. La prise d'air sur cet outil a une norme de filetage NPT ¼ po.

Après avoir installé le papier sablé, faites démarrer cette ponceuse sous un établi afin de vous assurer que le papier sablé est fermement attaché. Placez la ponceuse sur le travail uniformément et déplacez-la lentement dans un mouvement d'aller-retour, en repassant largement sur les sections déjà faites. Une pression additionnelle peut être exercée pour utiliser l'outil de façon plus efficace lorsque le matériau à poncer est épais. Une pression plus légère peut être utilisée en ponçage délicat ou lors de l'utilisation des bords du patin de polissage. Lorsque vous avez terminé de poncer, soulevez l'appareil de la pièce de travail avant d'arrêter le moteur.

Prenez grand soin, lors du ponçage autour des surfaces et des arêtes vives, d'éviter d'accrocher le disque, c'est-à-dire que le disque pourrait être brusquement arrêté ou considérablement ralenti ce qui l'entraînerait à donner un coup dans les mains de l'utilisateur. Il est toujours recommandé d'utiliser des gants et des lunettes de sécurité. Le ponçage de certains matériaux peut générer des poussières dangereuses pouvant requérir un équipement respiratoire spécial. Vérifiez l'outil avant de l'utiliser. Il est recommandé d'utiliser un appareil respiratoire approprié pendant le ponçage. Même si l'outil a un niveau sonore peu élevé, l'opération de ponçage peut provoquer un niveau sonore tel qu'une protection de l'oreille serait nécessaire. Il est recommandé d'en utiliser une pendant le ponçage.

Ne continuez pas à utiliser des disques à poncer usés ou encrassés. Cela rendrait le processus de ponçage inefficace et vous inciterait à appliquer une force inutilement élevée à l'outil. N'utilisez pas de disques de ponçage trop grands ou trop petits. Le disque ne doit pas dépasser le patin de plus d'un ¼ po de diamètre et sa taille ne doit jamais être inférieure à celle du patin.

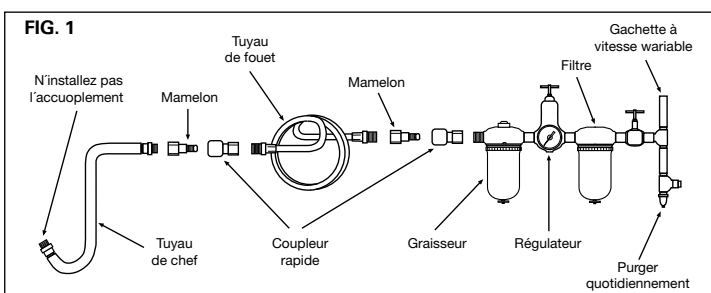
Un régulateur d'air se trouve sur le côté du boîtier de l'outil. Il peut être utilisé pour faire varier le volume d'air comprimé alimentant le moteur, faisant varier ainsi la vitesse de la ponceuse.

**Toujours couper l'arrivée d'air comprimé et débrancher l'outil avant d'enlever ou de mettre en place une pièce ou un accessoire quelconque, ou avant d'effectuer une tâche d'entretien quelconque.**

**REMARQUE :** Le couple requis pour une pièce de fixation est directement lié à la rigidité du joint, à la vitesse de rotation de l'outil, à l'état de la douille et à la cadence d'impact de l'outil.

Entre l'outil et la douille, utilisez l'adaptateur le plus simple possible. En effet, chaque raccordement absorbe sa part d'énergie et réduit la puissance de l'outil.

**REMARQUE :** Lors de l'utilisation, toujours porter des lunettes de sécurité pour protéger les yeux contre les éclats de rouille et de métal (utilisateur et personnes à proximité).



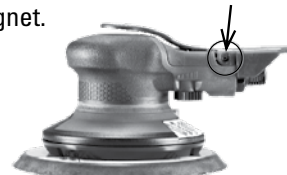
## ENSEMBLE D'ASPIRATEUR

Pour installer MT25VCK (Ensemble d'aspirateur)

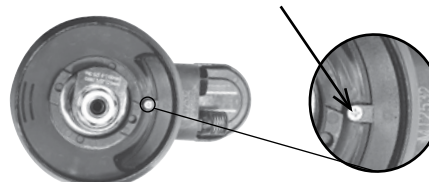
1. Déconnectez l'alimentation en air.
2. Retirez le silencieux à air.



3. Utilisez le poinçon de 3 mm pour retirer la goupille-ressort du couvercle de l'appui-poignet.



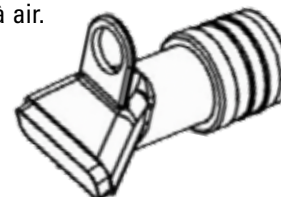
4. Retirez et mettez temporairement de côté la goupille et le couvercle de l'appui-poignet.
5. Retirez la plaque de presse de 6 po avec la clé à molette.
6. Retirez la vis de tête Philips® pour retirer le couvercle.



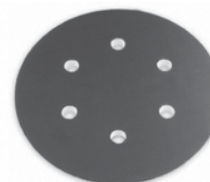
7. Retirez le silencieux avec la douille ou la clé de 19 mm.
8. Glissez le couvercle du boîtier de l'aspirateur en position.



9. Réinstallez la vis de tête Philips® pour solidement fixer le couvercle de boîtier de l'aspirateur.
10. Glissez l'adaptateur de l'aspirateur en position sur le silencieux à air.



11. Réinstallez le silencieux à air pour comprimer et tenir l'adaptateur de l'aspirateur en place.
12. Réinstallez la goupille-ressort et le couvercle de l'appui-poignet.
13. Installez la plaque de presse de 6 po avec les orifices d'aspiration.



**ALIMENTATION EN AIR**

Cet outil peut fonctionner à l'intérieur d'une large plage de pression d'air. Il est recommandé que la pression soit de 90 psi lorsque la détente est totalement enfoncée et qu'aucune charge n'est imposée à l'outil. Une pression supérieure (plus de 90 psi; 6,2 bar) augmente la performance au-delà de la capacité nominale de l'outil, raccourcissant cependant ainsi la durée de vie de l'outil et pouvant donner lieu à des blessures.

Utilisez toujours de l'air comprimé propre et sec. La présence de poussière, de vapeurs corrosives et/ou d'eau dans la conduite d'air peut endommager l'outil. Vidanger l'eau des conduites d'air et du compresseur avant d'utiliser l'outil. Nettoyer le filtre de l'entrée d'air chaque semaine. La procédure de branchement recommandée peut être vue dans la FIG. 1.

La source d'alimentation en air est raccordée à une entrée d'air ayant un normalisé NPT de 1/4 po. Il faut augmenter la pression dans la conduite d'air dans le cas de boyaux à air exceptionnellement longs (plus de 25 pieds). Le diamètre intérieur minimal du boyau doit être de 3/8 po. Les raccords doivent avoir le même diamètre intérieur et être serrés solidement.

**⚠ AVERTISSEMENT**

Asegúrese que se haya instalado una válvula accesible de apagado por emergencia en la línea de suministro de aire e informe a otros de su ubicación.

**DÉPANNAGE**

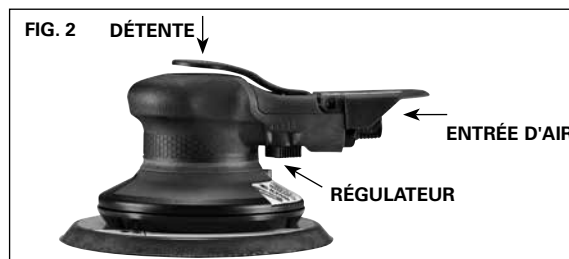
Des facteurs extérieurs à l'outil peuvent causer des baisses de puissance ou d'autres problèmes. Un débit réduit du compresseur, un drainage excessif du conduit d'air de l'humidité ou des limitations dans le boyau d'air ou l'utilisation de raccords de dimensions inadéquates ou en mauvaise condition peuvent réduire l'alimentation d'air. Des résidus d'abrasif ou des dépôts accumulés dans l'outil peuvent diminuer la puissance, ceci peut être corrigé en nettoyant le filtre à air et en nettoyant l'outil avec du solvant à l'huile pour dépôts, ou avec un mélange en parts égales d'huile SAE #10 et du kérosène. Si toutes les conditions extérieures sont excellentes, débrancher l'outil du boyau et apportez-le à l'atelier de service agréé le plus près.

**LUBRIFICATION ET D'ENTRETIEN**

Lubrifier le moteur pneumatique chaque jour avec de l'huile à outil pneumatique de qualité. Si aucun huileur pour conduite d'air n'est utilisé, injecter 1/2 oz d'huile dans l'outil. L'huile peut être injectée dans l'entrée d'air de l'outil ou dans le boyau par l'entremise du raccord le plus près de la source d'alimentation en air. Faire ensuite fonctionner l'outil. L'huile antirouille convient aux outils pneumatiques. Un trop-plein réduit la puissance de l'outil.

**⚠ AVERTISSEMENT**

Une fois l'outil pneumatique lubrifié, de l'huile s'écoulera de l'orifice d'échappement pendant les premières secondes de fonctionnement. L'orifice d'échappement doit être recouvert d'un chiffon avant de mettre en marche l'outil pour prévenir les blessures graves.

**GARANTIE**

Matco garantit ses outils pneumatiques au consommateur pendant une période de 2 année. Nous réparerons tout outil pneumatique de la série MT couvert par cette garantie qui présente un défaut de matériau ou de main-d'œuvre durant la période de garantie. Pour faire réparer l'outil, retournez-le à l'un des centres de garantie autorisés de Matco indiqués ci-dessous, port payé. Joignez une copie de votre preuve d'achat et une brève description du problème. L'outil sera inspecté et si une ou plusieurs pièces présentent un défaut de matériel ou de main-d'œuvre, l'outil sera réparé gratuitement et retourné port payé.

Cette garantie vous donne des droits particuliers. Vous pouvez aussi avoir d'autres droits qui varient d'un état à l'autre.

Cette obligation est la seule responsabilité de Matco dans le cadre de cette garantie et Matco ne sera en aucun cas responsable de dommages connexes ou corrélatifs.

**Remarque :** Certains états ne permettent pas d'exclusion ou de limites pour les dommages connexes ou corrélatifs les limites ou exclusions indiquées ci-dessus ne s'appliquent peut-être pas dans votre cas.

**NATIONAL MACHINE GROUP EAST  
AIR TOOL REPAIR CENTER**  
1330 Commerce Dr.  
Stow, OH 44224  
(330) 688-6494

**NATIONAL MACHINE GROUP WEST  
AIR TOOL REPAIR CENTER**  
2223 S. Wilson Street  
Tempe, AZ 85282  
(480) 966-1097

**HT PNEUMATIC REBUILDERS**  
22 Goodmark Place Unit #8  
Toronto, ON M9w 6R2  
(416) 213-0172