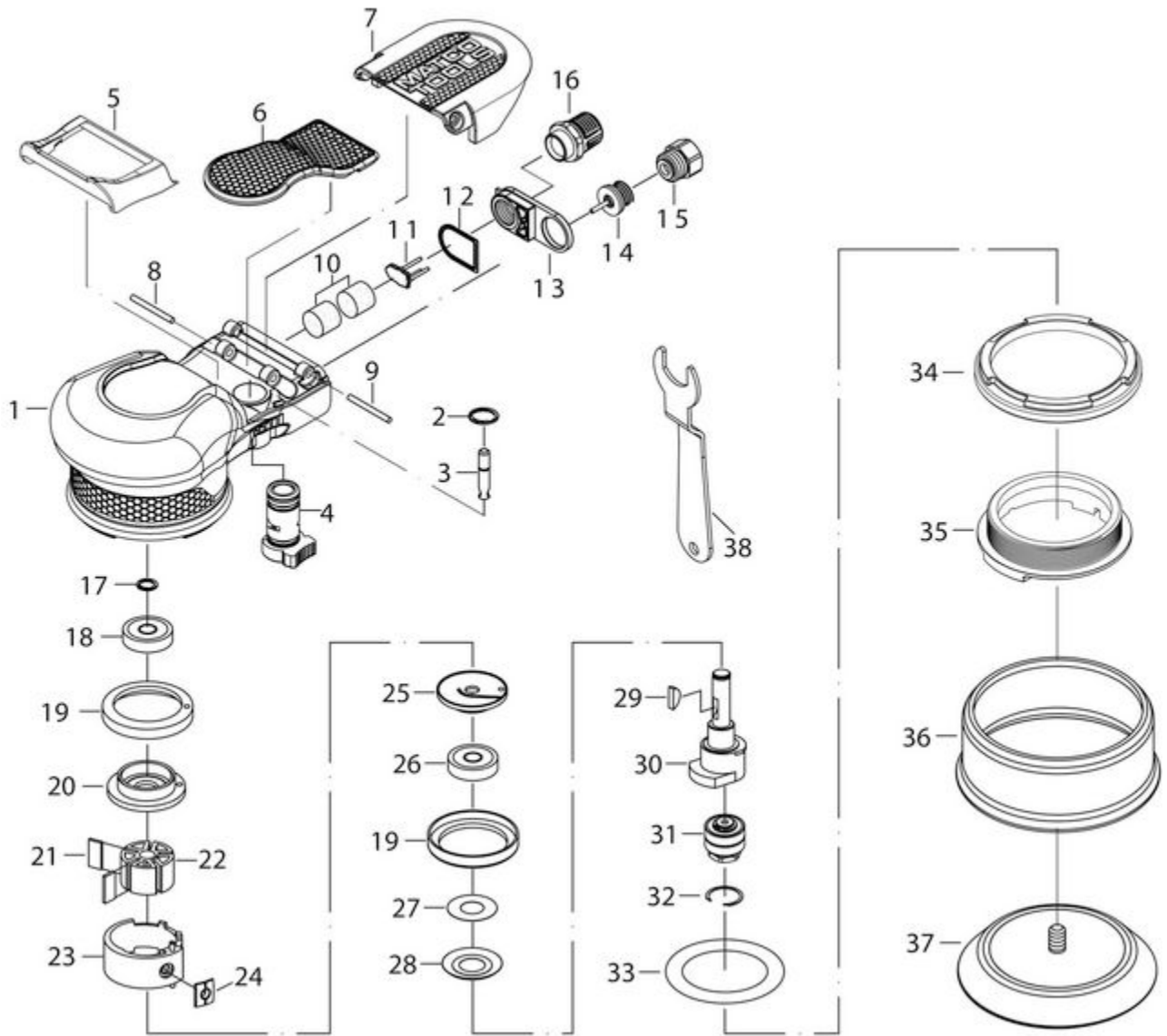


MT2533 - 3/32" 3" PALM SANDER



Item: MT2533

Description: 3/32" 3" PALM SANDER

Notes: N/S: RSMT2533WL-Warning Label (QTY 1) Also Available: MT2332VP - 3" Vinyl Backing Pad; MT2332MP - 3" Hook and Loop Backing Pad MT25VCK Vacuum Kit

Figure No	Part Number	Description	No. Reqd	Warranty Code
1	*K7RS251601B	HOUSING	1	
2	K7RS246001	SNAP RING RETNR F/VALVE STEM	1	X
3	*K7RS251602	VALVE STEM SET	1	
4	*K7RS251603	REGUALTOR SET	1	
5	*K7RS251602B	HOUSING FRONT COVER	1	
6	*K7RS251605	LEVER	1	
7	*K7RS251606	HOUSING REAR COVER	1	
8	*K7RS251607	PIN (3*32L)	1	
9	*K7RS251608	PIN (3*50L)	1	
10	K7RS246503	MUFFLER INSERT F/MT2416	1	X
11	*K7RS251609	MUFFLER	1	
12	*K7RS251610	PACKING	1	
13	*K7RS251611	EXHAUST SLEEVE	1	
14	*K7RS251612	VALVE SET	1	
15	*K7RS251613	AIR INLET	1	
16	*K7RS251614	MUFFLER BODY SET	1	
17	RS246520	SNAP RING	1	X
18	K7RS10920	BALL BEARING MT1430,50,60,1884	1	X
19	RS233216	RUBBER BUSHING	2	X
20	RS246522	REAR PLATE	1	X
21	*K7RS246019A	ROTOR BLADE	5	
22	*K7RS316018	ROTOR	1	
23	K7RS246021	CYLINDER F/MT2460	1	X
24	RS233224	BUSHING	1	X
25	RS246529	FRONT PLATE	1	X
26	K7RS221RA32	BEARING FOR SX221RA,MT1761	1	X
27	*K7RS316024A	WASHER	1	
28	RS233229	DUSTPROOF WASHER	1	X
29	RS246533	ROTOR	1	X
30	*K7RS325029	MOTOR SHAFT BALANCER (3", 3/32")	1	
31	RS233237	BALANCER SHAFT	1	X
32	RS233235	SNAP RING	1	X

33	RS233238	WASHER	1	X
34	*K7RS253301B	HOUSING COVER	1	
35	*K7RS251616	LOCK NUT	1	
36	*K7RS253302	SHROUD	1	
37	*K7RS253303	3" HOOK & LOOP PAD	1	
38	K7RS233242	STOP SPANNER (17MM) MT2332	1	X