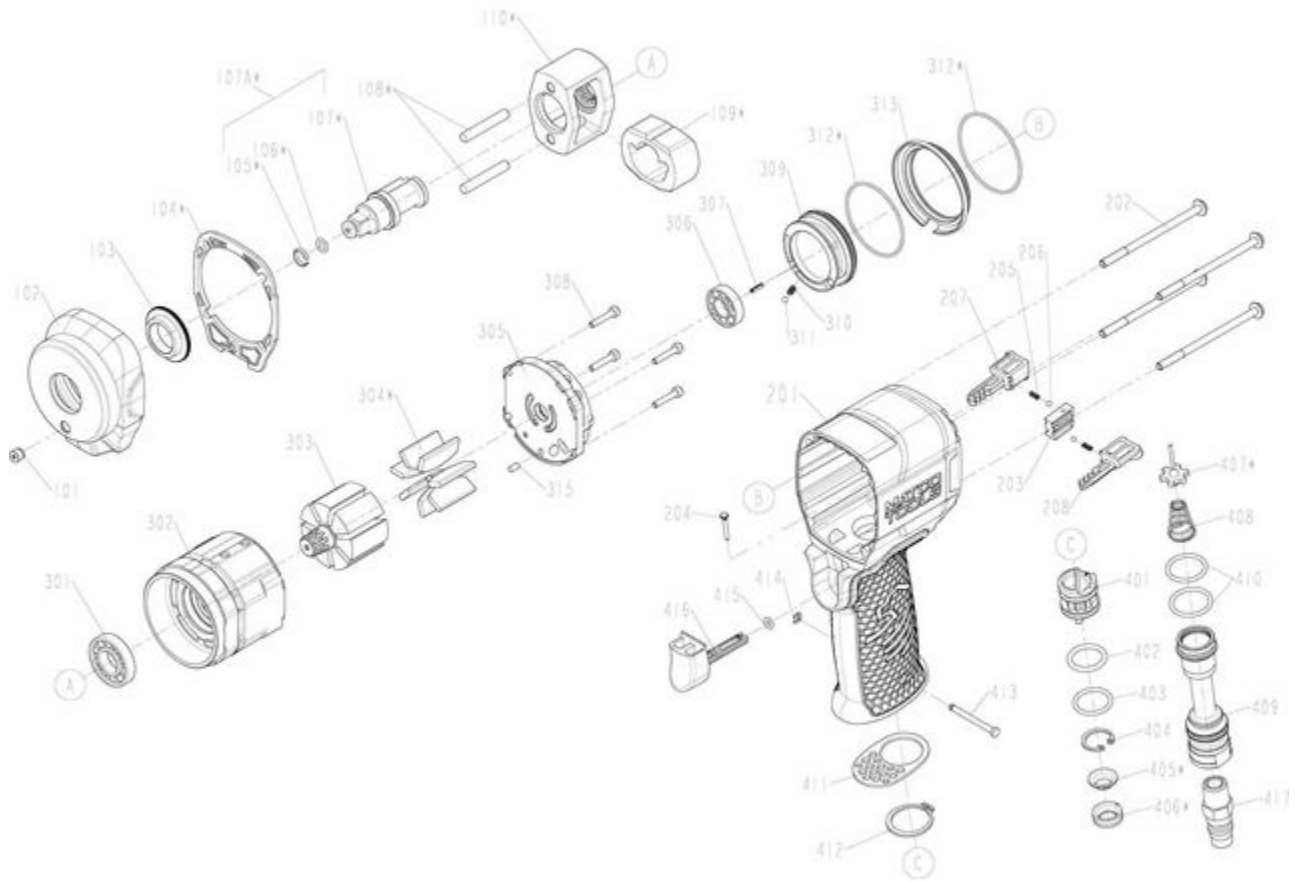


MT2748 - 3/8" STUBBY IMPACT WRENCH



Item: MT2748

Description: 3/8" STUBBY IMPACT WRENCH

Notes: RSMT2748PL Product Label (included w/ #201)

Figure No	Part Number	Description	No. Reqd	Warranty Code
101	*K7RS12301	HAMMER CASE GREASE FITTING	1	
102	*K7RS12303	HAMMER CASE	1	
103	*K7RS2138106	HAMMER CASE BUSHING	1	
104	*K7RS12304	PACKING-HAMMER CASE	1	
105	K7RS1734201	SOCKET RETAINER F/MT2138	1	X
106	K7RS2150104	O RING F/MT2138	1	X
107	*K7RS1084105A	#107A ANVIL ASSEMBLY (INCLUDES #105-107)	1	
108	*K7RS12312	HAMMER PIN	2	
109	*K7RS12313	HAMMER	1	
110	*K7RS12314	HAMMER FRAME	1	
201	*K7RS276501B	HOUSING W/ GRIP - BURGUNDY	1	
202	*K7RS12315	HALF ROUND HD. STAR HEAD BOLT	4	
203	*K7RS12317	STOPPER	1	
204	*K7RS12318	PIN	1	
205	*K7RS12319	POSITIONING SPRING	2	
206	K7RS1735313	BALL	2	X
207	*K7RS12320	RIGHT FORWARD BUTTON	1	
208	*K7RS12321	LEFT REVERSE BUTTON	1	
301	*K7RS12322	BEARING	1	
302	*K7RS12338	CYLINDER	1	
303	*K7RS12324	ROTOR	1	
304	*K7RS12325	ROTOR BLADE (EACH)	7	
305	*K7RS12326	REAR END PLATE	1	
306	*K7RS12327	BEARING	1	
307	*K7RS12328	SPRING PIN	1	
308	*K7RS12329	HEX.SOC.HD.BOLT	4	
309	*K7RS12330	REGULATOR	1	
310	*K7RS7500220	POSITIONING SPRING	1	
311	K7RS1734416	BALL F/MT1734	1	X
312	*K7RS12331	O - RING	2	
313	*K7RS12332	HAMMER CASE PILOT	1	
315	*K7RS12333 PIN	PIN	1	
401	*K7RS12334	REVERSE VALVE ASSEMBLY (INCLUDES #402-#408)	1	

409	K7RS0260409	AIR INLET F/MT2769	1	X
410	K7RS222409	O RING	2	X
411	K7RS222411	EXHAUST DEFLECTOR F/MT2738	1	X
412	K7RS0260412	SNAP RING F/MT2769	1	X
413	K7RS0260415	RETAINING PIN F/MT2769	1	X
414	*K7RS12335	E - RING	1	
415	K7RS0260414	O-RING F/MT2769	1	X
416	*K7RS12336	TRIGGER	1	