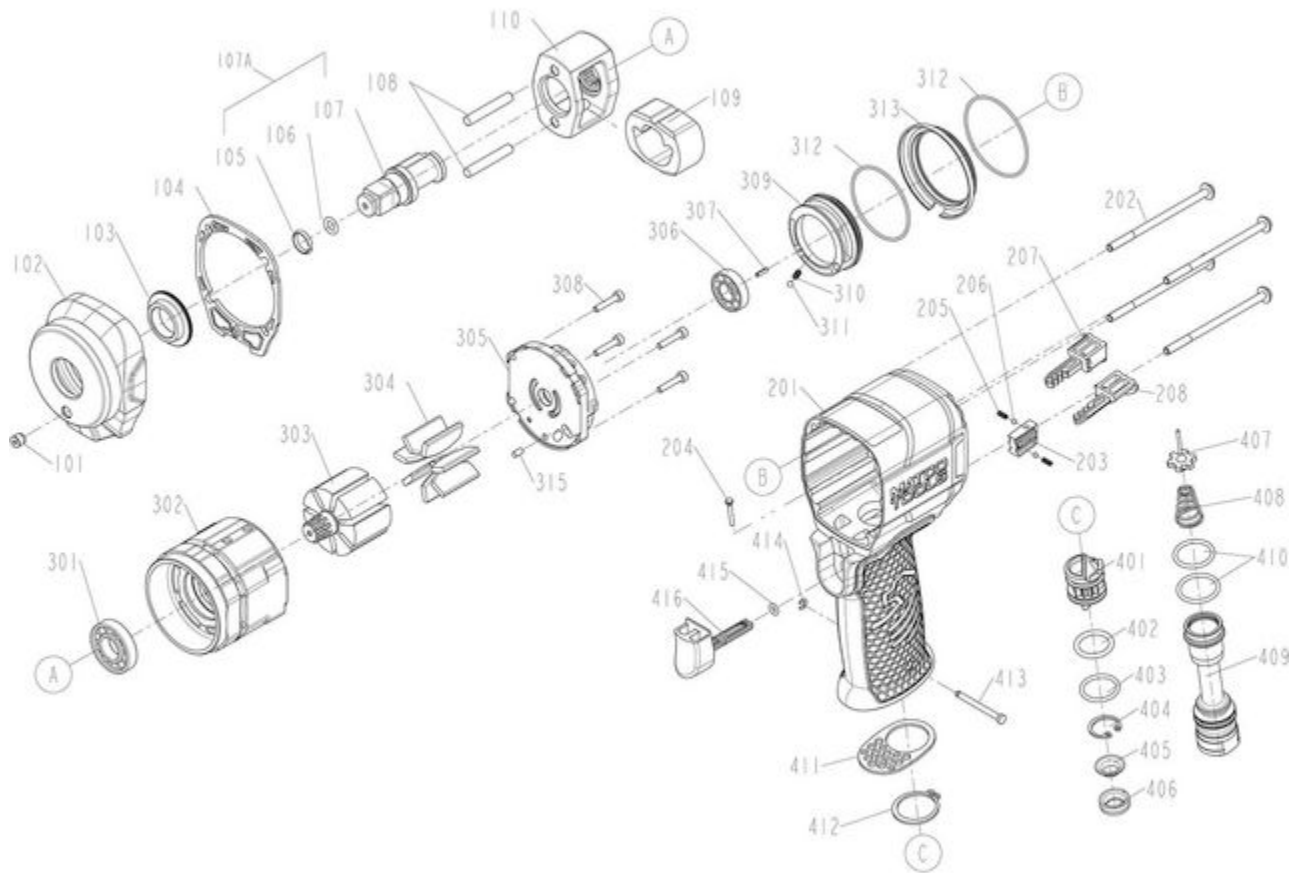


MT2765 - 1/2" STUBBY IMPACT WRENCH



Item: MT2765

Description: 1/2" STUBBY IMPACT WRENCH

Notes: ALSO AVAILABLE: RSMT2765WL PRODUCT WARNING LABEL

Figure No	Part Number	Description	No. Reqd	Warranty Code
101	*K7RS12301	HAMMER CASE GREASE FITTING (INCLUDED W/102)	1	
102	*K7RS12303	HAMMER CASE ASSEMBLY (INCLUDES 101-104)	1	
103	*K7RS2138106	HAMMER CASE BUSHING (INCLUDED W/102)	1	
104	*K7RS12304	PACKING-HAMMER CASE (INCLUDED W/102)	1	
105	K7RS1761104	SOCKET RETAINER FOR MT1761	1	X
106	RS4135104	O-RING	1	X
107	*K7RS12309	#107A ANVIL ASSEMBLY (INCLUDES 105-107)	1	
107	*K7-	ANVIL (INCLUDED W/107A)	1	
108	*K7RS12312	HAMMER FRAME PIN (PACK OF 2)	1	
109	*K7RS12313	HAMMER	1	
110	*K7RS12314	HAMMER FRAME	1	
201	*K7RS276501G	HOUSING - GREEN	1	
201	*K7RS276501O	HOUSING - ORANGE	1	
201	*K7RS276501B	HOUSING - BURGUNDY	1	
202	*K7RS12315	HALF ROUND HD. STAR HEAD BOLT	4	
203	*K7RS12317	STOPPER	1	
204	*K7RS12318	PIN	1	
205	*K7RS12319	POSITIONING SPRING	2	
206	*K7RS735313	BALL (2.5MM)	2	
207	*K7RS12320	RIGHT FORWARD BUTTON	1	
208	*K7RS12321	LEFT REVERSE BUTTON	1	
301	*K7RS12322	BEARING	1	
302	*K7RS12323	CYLINDER	1	
303	*K7RS12324	ROTOR	1	
304	*K7RS12325	ROTOR BLADE (EACH)	7	
305	*K7RS12326	REAR END PLATE	1	
306	*K7RS12327	BEARING	1	
307	*K7RS12328	SPRING PIN	1	
308	*K7RS12329	HEX.SOC.HD.BOLT	4	
309	*K7RS12330	REGULATOR	1	
310	*K7RS7500220	POSITIONING SPRING	1	
311	*K7RS7534416	STEEL BALL (3MM)	1	
312	*K7RS12331	O - RING	2	

313	*K7RS12332	HAMMER CASE PILOT	1	
315	*K7RS12333	PIN	1	
401	*K7RS12334	REVERSE VALVE ASSEMBLY (INCLUDES 402-408)	1	
402	*K7-	O - RING (INCLUDED W/401)	1	
403	*K7-	O - RING (INCLUDED W/401)	1	
404	*K7-	C - RING (INCLUDED W/401)	1	
405	*K7-	SEAL BUSHING (INCLUDED W/401)	1	
406	*K7-	SEAL (INCLUDED W/401)	1	
407	*K7-	TIP VALVE (INCLUDED W/401)	1	
408	*K7-	SPRING (INCLUDED W/401)	1	
409	K7RS0260409	AIR INLET F/MT2769	1	X
410	K7RS222409	O RING	2	X
411	K7RS222411	EXHAUST DEFLECTOR F/MT2738	1	X
412	K7RS0260412	SNAP RING F/MT2769	1	X
413	K7RS0260415	RETAINING PIN F/MT2769	1	X
414	*K7RS12335	E - RING	1	
415	K7RS0260414	O-RING F/MT2769	1	X
416	*K7RS12336	TRIGGER	1	