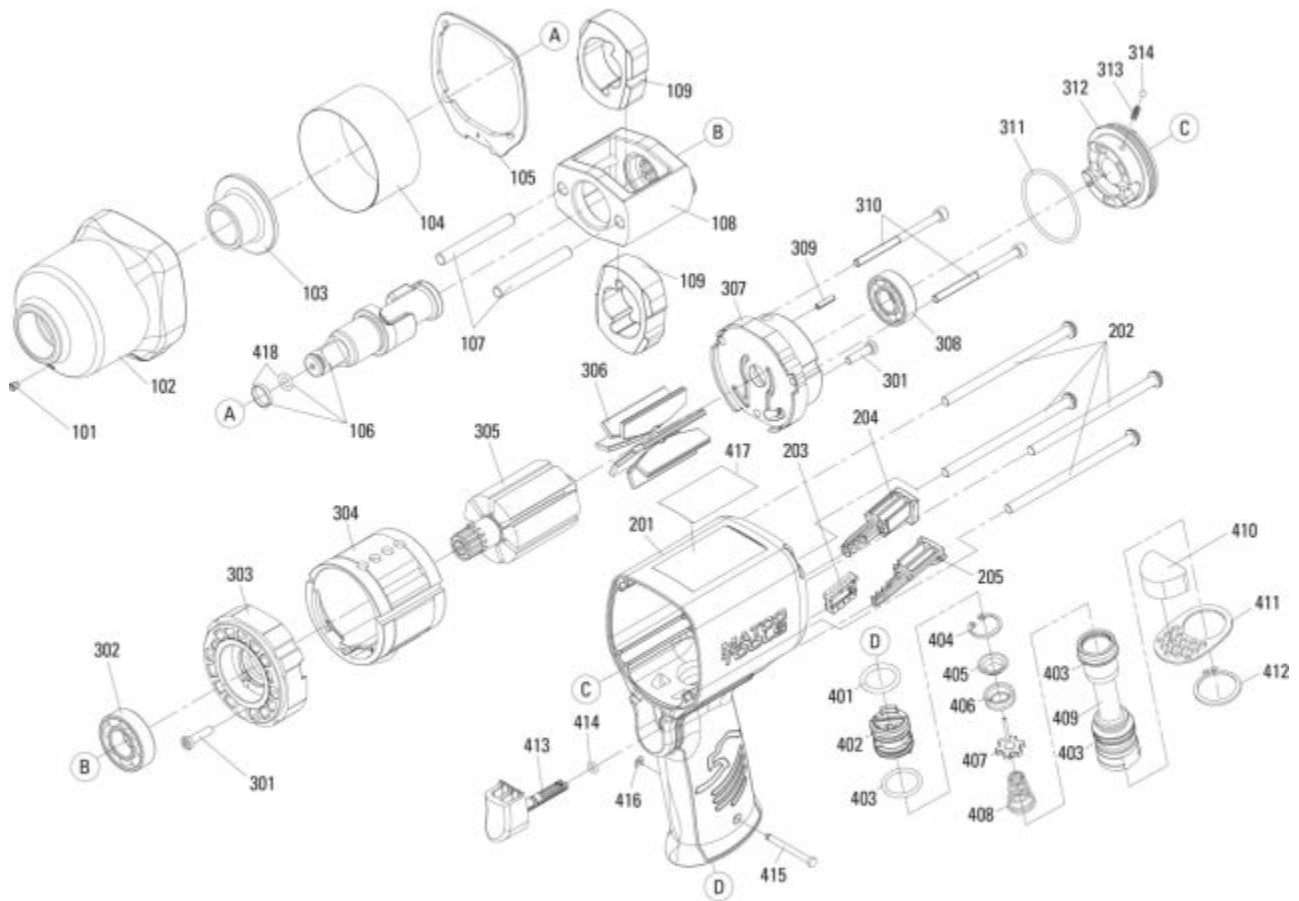


MT2769 - 1/2" COMPOSITE IMPACT WRENCH



Item: MT2769

Description: 1/2" COMPOSITE IMPACT WRENCH

Notes: 402 K7RS0260402 Comes with figure numbers 401, 402, 403, 404, 405, 406, 407, and 408. Figure numbers 409, 410, 411, 412, and the two extra 403's have to be ordered individually.

Figure No	Part Number	Description	No. Reqd	Warranty Code
101	K7RS1837220	HAMMER CASE GR FITTING MT2138	1	X
102	K7RS0260102	HAMMER CASE ASSEMBLY/MT2769	1	X
103	K7RS0260103	HAMMER CASE BUSHING F/MT2769	1	X
104	*K7RS0260104	STEEL SHIELD	1	
105	K7RS0260105	HAMMER CASE GASKET F/MT2769	1	X
106	K7RS0260106	ANVIL ASSEMBLY F/MT2769	1	X
107	K7RS0260107	HAMMER FRAME PIN (2) F/MT2769	1	X
108	K7RS1761109	HAMMER FRAME FOR MT1761	1	X
109	K7RS0260109	HAMMER (2) F/MT2769	1	X
201	K7RS0260201	HOUSING ASSEMBLY F/MT2769	1	X
202	K7RS0260202	HOUSING SCREW (4) F/MT2769	1	X
203	K7RS0260203	STOPPER F/MT2769	1	X
204	K7RS0260204	FORWARD BUTTON F/MT2769	1	X
205	K7RS0260205	REVERSE BUTTON F/MT2769	1	X
301	K7RS0260301	HEX SKT HD BOLT (2) F/MT2769	1	X
302	K7RS221RA32	BEARING FOR SX221RA,MT1761	1	X
303	K7RS0260303	FRONT BEARING PLATE F/MT2769	1	X
304	K7RS0260304	CYLINDER F/MT2769	1	X
305	K7RS0260305	ROTOR F/MT2769	1	X
306	K7RS0260306	ROTOR BLADE (7) F/MT2769	1	X
307	K7RS0260307	REAR END PLATE F/MT2769	1	X
308	K7RS227B25	BALL BEARING MT1430,MT1450,60	1	X
309	K7RS0260309	SPRING PIN F/MT2769	1	X
310	K7RS0260310	HEX SKT HD BOLT (2) F/MT2769	1	X
311	K7RS76817	O-RING F/MT2769	1	X
312	K7RS0260312	REGULATOR ASSEMBLY F/MT2769	1	X
313	K7RS0260313	DETENT SPRING F/MT2769	1	X
314	K7RS1734416	BALL F/MT1734	1	X
401	K7RS1074410	ORING MT2234	1	X
402	K7RS0260402	THROTTLE/REVERSE VALVE F/MT276	1	X
403	K7RS0260403	O-RING (3) F/MT2769	1	X
404	K7RS0260404	SNAP RING F/MT2769	1	X

405	K7RS0260405	SEAL BUSHING F/MT2769	1	X
406	K7RS0260406	SEAL F/MT2769	1	X
407	K7RS0260407	TIP VALVE F/MT2769	1	X
408	K7RS1735406	SPRING	1	X
409	K7RS0260409	AIR INLET F/MT2769	1	X
410	K7RS0260410	MUFFLER F/MT2769	1	X
411	K7RS0260411	EXHAUST PLATE ASMBLY F/MT2769	1	X
412	K7RS0260412	SNAP RING F/MT2769	1	X
413	K7RS0260413	TRIGGER F/MT2769	1	X
414	K7RS0260414	O-RING F/MT2769	1	X
415	K7RS0260415	RETAINING PIN F/MT2769	1	X
416	K7RS4150424	E-RING F/MT2138	1	X
417	*K7RS0260417	WARNING LABEL	1	
418	K7RS0260418	O-RING & SKT RETAINING RING	1	X