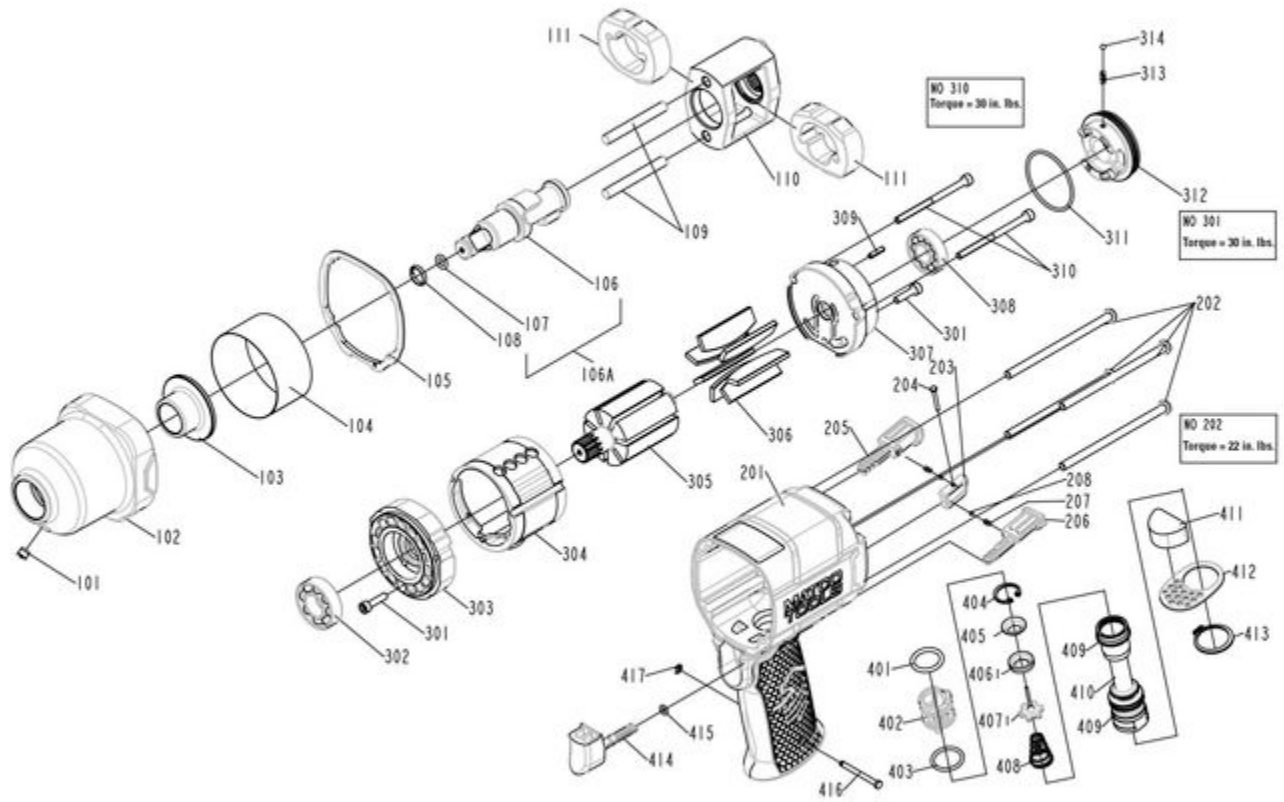


MT2779G - 1/2" IMPACT WRENCH-GREEN



Item: MT2779G

Description: 1/2" IMPACT WRENCH-GREEN

Notes: RSMT2779WL Warning Label

Figure No	Part Number	Description	No. Reqd	Warranty Code
101	*K7RS12301	HAMMER CASE GREASE FITTING (INCLUDED W #102)	1	
102	*K7RS277907	HAMMER CASE ASSEMBLY (INCLUDES #101-105)	1	
103	K7RS0260103	HAMMER CASE BUSHING F/MT2769	1	X
104	*K7-	STEEL RING (INCLUDED W #102)	1	
105	*K7RS123402	HAMMER CASE GASKET (INCLUDED W #102)	1	
106	K7RS0260106	ANVIL ASSEMBLY F/MT2769	1	X
107	RS4135104	O-RING	1	X
108	K7RS1761104	SOCKET RETAINER FOR MT1761	1	X
109	K7RS0260107	HAMMER FRAME PIN (2) F/MT2769	1	X
110	K7RS1761109	HAMMER FRAME FOR MT1761	1	X
111	K7RS0260109	HAMMER (2) F/MT2769	1	X
201	*K7RS2779010	HOUSING ASSEMBLY - ORANGE	1	
201	*K7RS277901B	HOUSING ASSEMBLY - BURGUNDY	1	
201	*K7RS277901G	HOUSING ASSEMBLY - GREEN	1	
201	*K7RS277901Y	HOUSING ASSEMBLY - YELLOW	1	
202	K7RS0260202	HOUSING SCREW (4) F/MT2769	1	X
203	*K7RS277902	STOPPER	1	
204	*K7RS277903	PIN	1	
205	*K7RS277904	RIGHT/FORWARD BUTTON	1	
206	*K7RS277905	LEFT/REVERSE BUTTON	1	
207	*K7RS1077410	POSITIONING SPRING	2	
208	*K7RS735313	BALL (2.5MM)	2	
301	K7RS0260301	HEX SKT HD BOLT (2) F/MT2769	1	X
302	*K7RS123405	FRONT BEARING (6002)	1	
303	*K7RS123406	FRONT BEARING PLATE	1	
304	*K7RS123407	CYLINDER	1	
305	*K7RS123408	ROTOR	1	
306	*K7RS123409	ROTOR BLADE (7 PACK)	1	
307	*K7RS123410	REAR END PLATE	1	
308	*K7RS123411	BEARING (6001)	1	
309	K7RS0260309	SPRING PIN F/MT2769	1	X
310	K7RS0260310	HEX SKT HD BOLT (2) F/MT2769	1	X
311	K7RS76817	O-RING F/MT2769	1	X

312	K7RS0260312	REGULATOR ASMBLY F/MT2769	1	X
313	K7RS0260313	DETENT SPRING F/MT2769	1	X
314	K7RS1734416	BALL F/MT1734	1	X
401	K7RS1074410	ORING MT2234	1	X
402	*K7RS277908	REVERSE VALVE ASSEMBLY (INCLUDES #401-408)	1	
403	*K7RS2224030	O-RING - ORANGE (INCLUDED W #402)	1	
409	K7RS222403	O RING	2	X
410	K7RS0260409	AIR INLET F/MT2769	1	X
411	K7RS0260410	MUFFLER F/MT2769	1	X
412	K7RS222411	EXHAUST DEFLECTOR F/MT2738	1	X
413	K7RS0260412	SNAP RING F/MT2769	1	X
414	K7RS0260413	TRIGGER F/MT2769	1	X
415	K7RS0260414	O-RING F/MT2769	1	X
416	K7RS0260415	RETAINING PIN F/MT2769	1	X
417	K7RS4150424	E-RING F/MT2138	1	X