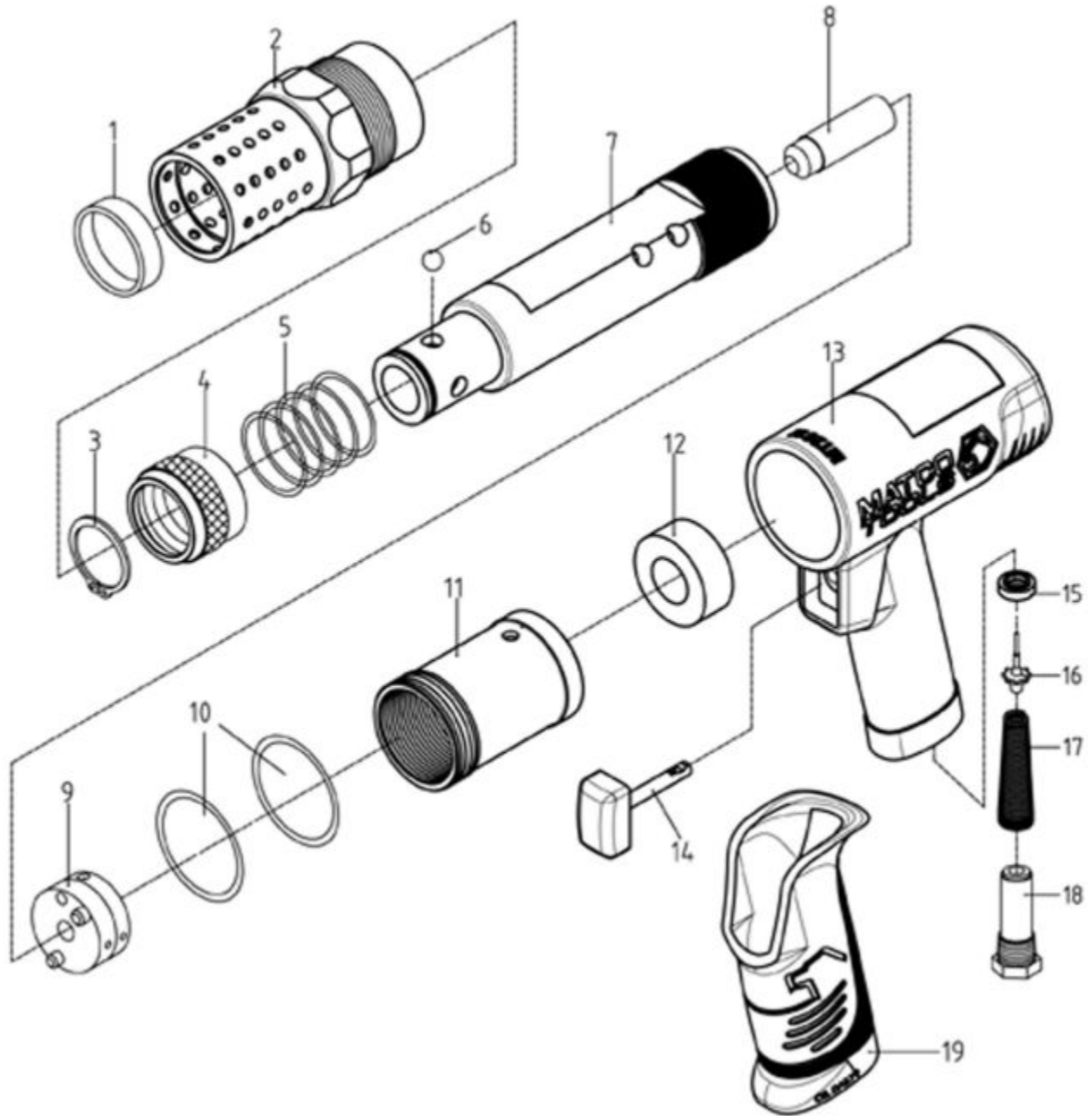


MT2812 - MEDIUM BARREL AIR HAMMER



Item: MT2812

Description: MEDIUM BARREL AIR HAMMER

Notes: * Only available in Chisel Retainer Repair Kit, RS1811RK. Also available: RSMT2812KCS (Blow Mold Case) RS2812WL, Warning Label U. S. Patent D608,176 S

Figure No	Part Number	Description	No. Reqd	Warranty Code
1	K7RS181120	COLLAR MT1815	1	X
2	K7RS281202	EXHAUST DEFLECTOR F/MT2812	1	X
3	*K7*	SNAP RING	1	
4	*K7*	COLLAR	1	
5	*K7*	SPRING	1	
6	*K7*	CHROME STEEL BALL	4	
7	RS281207	CYLINDER	1	X
8	K7648019	PISTON FOR RL900	1	X
9	K7RS181112	VALVE BLOCK F/SE906/SE916	1	X
10	K7RS181110	O RING F/MT1815	2	X
11	RS281211	CYLINDER SLEEVE	1	X
12	RS281212	RUBBER BUMPER	1	X
13	RS281213	HOUSING	1	X
14	K7RS281214	TRIGGER F/MT2816 AND MT2812	1	X
15	K7RS501805	THROTTLE SEAT F/MT2858A	1	X
16	K7RS501804	THROTTLE VALVE F/MT1812,MT1816	1	X
17	K7RS281217	THROTTLE SPRING F/MT2812, MT28	1	X
18	K7RS281218	AIR INLET F/MT2816	1	X
19	RS281219	COMFORT GRIP	1	X