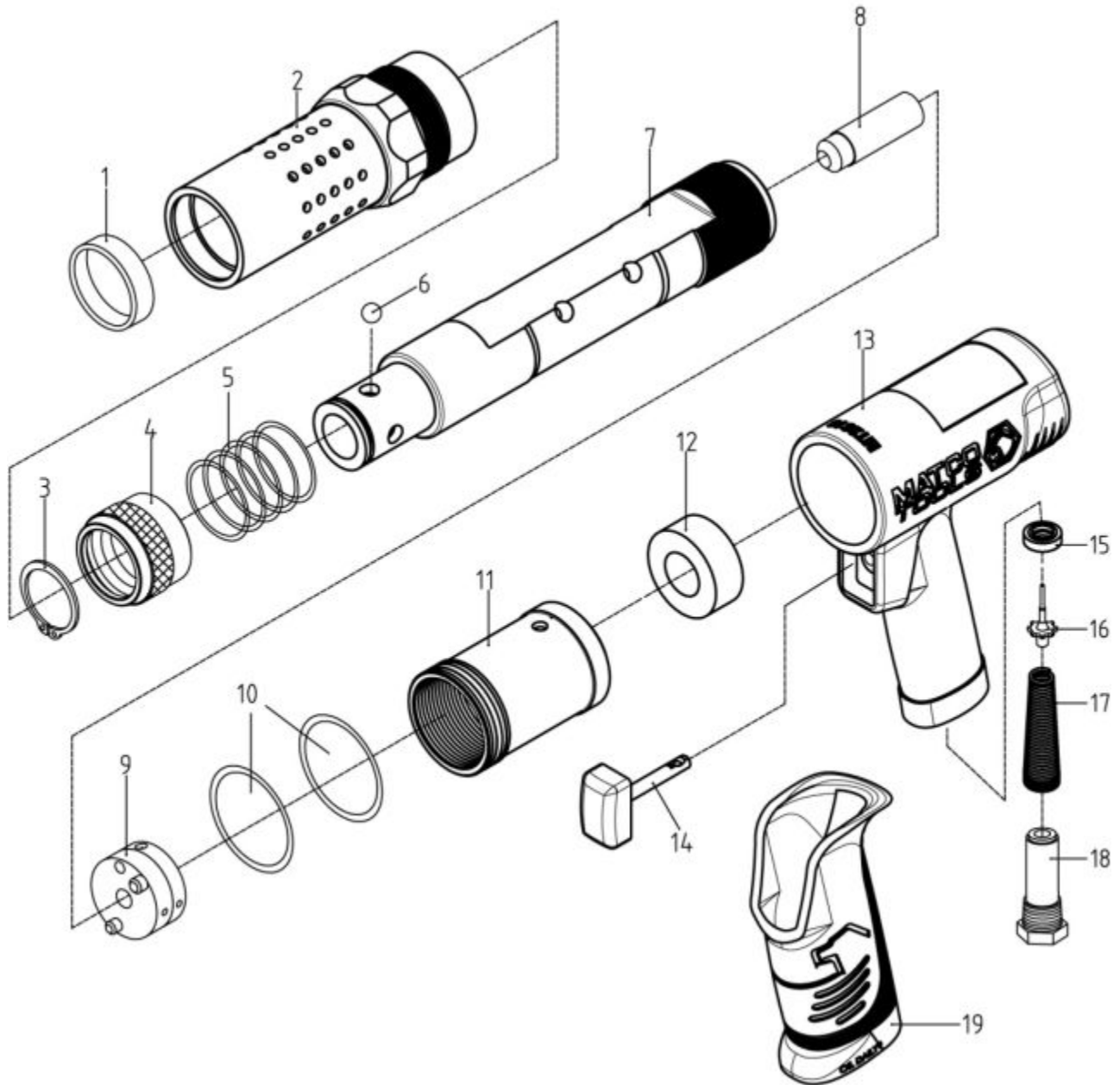


MT2816 - LONG BARREL AIR HAMMER



Item: MT2816

Description: LONG BARREL AIR HAMMER

**Notes:** \* Only available in Chisel Retainer Repair Kit, RS1811RK. Also available: K7RSMT2812KC (Blow Mold Case)  
U. S. Patent D608,176 S RS281613D - Demo Housing RS2816WL Warning Label

Figure No	Part Number	Description	No. Reqd	Warranty Code
1	K7RS181120	COLLAR MT1815	1	X
2	K7RS281602	EXHAUST DEFLECTOR/LNG BRRL	1	X
3	K7RS1811RK	CHISEL REPAIR KIT FOR MT1815	1	X
3	*K7*	SNAP RING	1	
4	*K7*	COLLAR	1	
5	*K7*	SPRING	1	
6	*K7*	CHROME STEEL BALL	4	
7	RS281607	CYLINDER	1	X
8	K7RS848019A	NEW STYLE PISTON F/ MT2816	1	X
9	K7RS181112A	NEW STYLE VALVE BLOCK ASSY F/	1	X
10	K7RS181110	O RING F/MT1815	2	X
11	RS281211	CYLINDER SLEEVE	1	X
12	RS281212	RUBBER BUMPER	1	X
13	K7RS281613	HSG F/MT2816	1	X
14	K7RS281214	TRIGGER F/MT2816 AND MT2812	1	X
15	K7RS501805	THROTTLE SEAT F/MT2858A	1	X
16	K7RS501804	THROTTLE VALVE F/MT1812,MT1816	1	X
17	K7RS281217	THROTTLE SPRING F/MT2812, MT28	1	X
18	K7RS281218	AIR INLET F/MT2816	1	X
19	RS281219	COMFORT GRIP	1	X