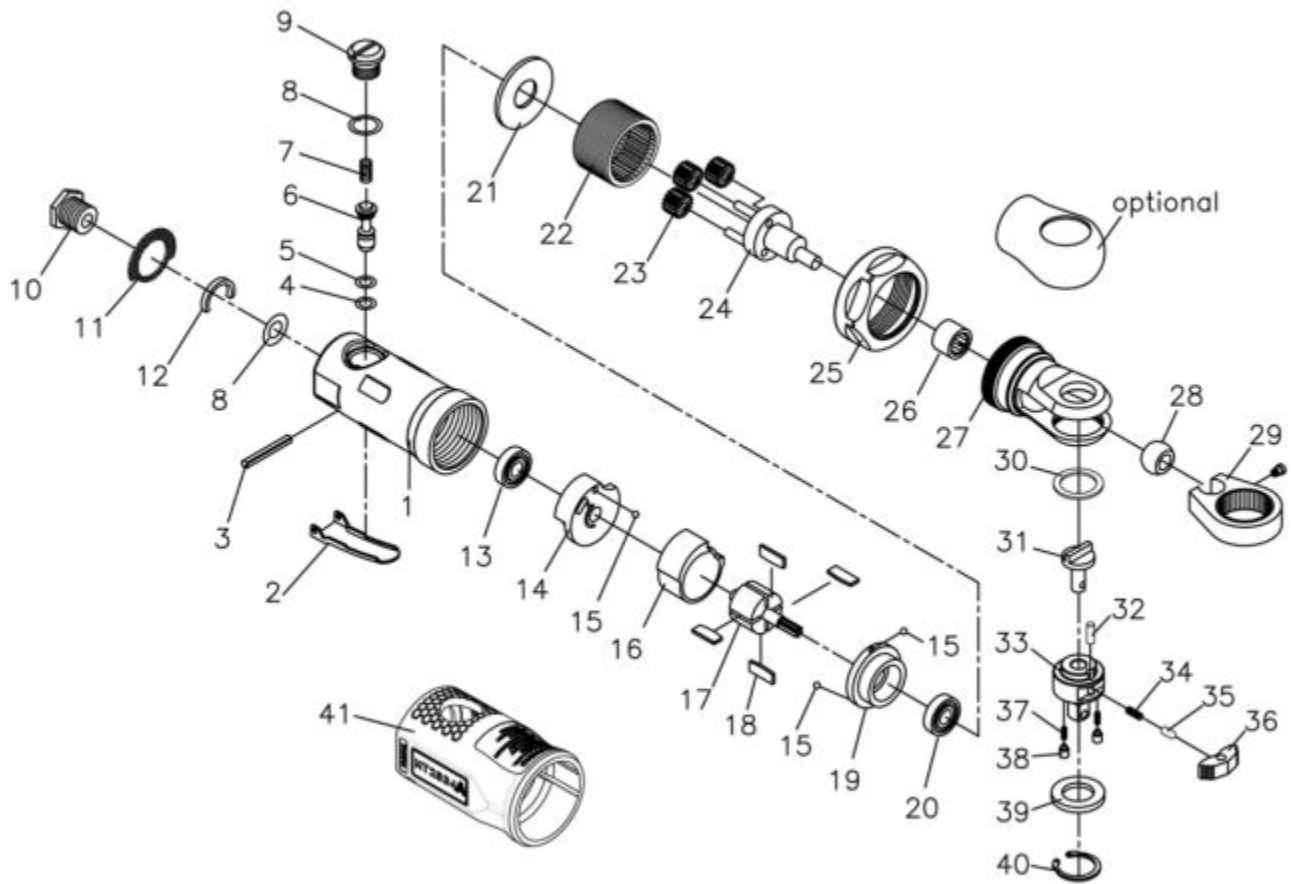


MT2834A - 1/4" MINI PALM RATCHET



Item: MT2834A

Description: 1/4" MINI PALM RATCHET

Notes: * Available only as a 1/4" ratchet head kit, part # MT1835RHK. Also available: MT2834PC Head Boot US patent #6,305,246

Figure No	Part Number	Description	No. Reqd	Warranty Code
1	K7RS283401	MOTOR HOUSING W/BUSHING MT2834	1	X
2	K7RS283402A	LEVER F/MST2834	1	X
3	K7RS706132	PIN F/SE355	1	X
4	K7305A04	O-RING	1	X
5	K7305A05	O-RING	1	X
6	K7305A06	THROTTLE	1	X
7	K7305A07	SPRING	1	X
8	K7305A10	O-RING	2	X
9	K7RS283409	AIR REGULATOR F/MT2840	1	X
10	K7RS26211	AIR INLET F/MT2834	1	X
11	K7RS283411	SILENCER MT2834	1	X
12	K7RS283412	DEFLECTOR MT2834	1	X
13	K730516	REAR ROT.BALL BEAR.F/RL305	1	X
14	K7RS26215	PLATE FOR MT2834	1	X
15	*K7none given	STEEL BALL	3	
16	K7RS26217	CYLINDER F/MT2834	1	X
17	K7RS26218	ROTOR F/MT2834	1	X
18	K7RS26219	ROTORBLADE F/MT2834	4	X
19	K7RS26220	FRONT END PLATE F/MT2814	1	X
20	K730524	FRONT BEARING	1	X
21	RS283421	SPACER FOR MT2834	1	X
22	K7RS250ARR22	INTERNAL GEAR F/MT2842	1	X
23	K7RS281424A	PLANET GEAR F/MT2814	3	X
24	K7RS283424A	PLANETARY GEAR F/MT2834A	1	X
25	RS283425	CLAMP NUT	1	X
26	K7RS26225	NEEDLE BEARING MT2844	1	X
27	K7RS283427	RACHET HSNB MT2844	1	X
28	K7RS283428	DRIVE BUSHING	1	X
29	K7RS283429	RACHET YOKE F/MT2842	1	X
30	*K7*	WASHER	1	
31	*K7*	REVERSE BUTTON	1	
32	*K7*	PIN	1	

33	*K7*	1/4" ANVIL	1	
34	*K7*	SPRING	1	
35	*K7*	LOCK PIN	1	
36	*K7*	RATCHET PAWL	1	
37	*K7*	SPRING	2	
38	*K7*	PIN	2	
39	*K7*	1/4" THRUST WASHER	1	
40	*K7*	RETAINER RING	1	
41	K7RS283441A	COMFORT GRIP F/ MT2834A	1	X