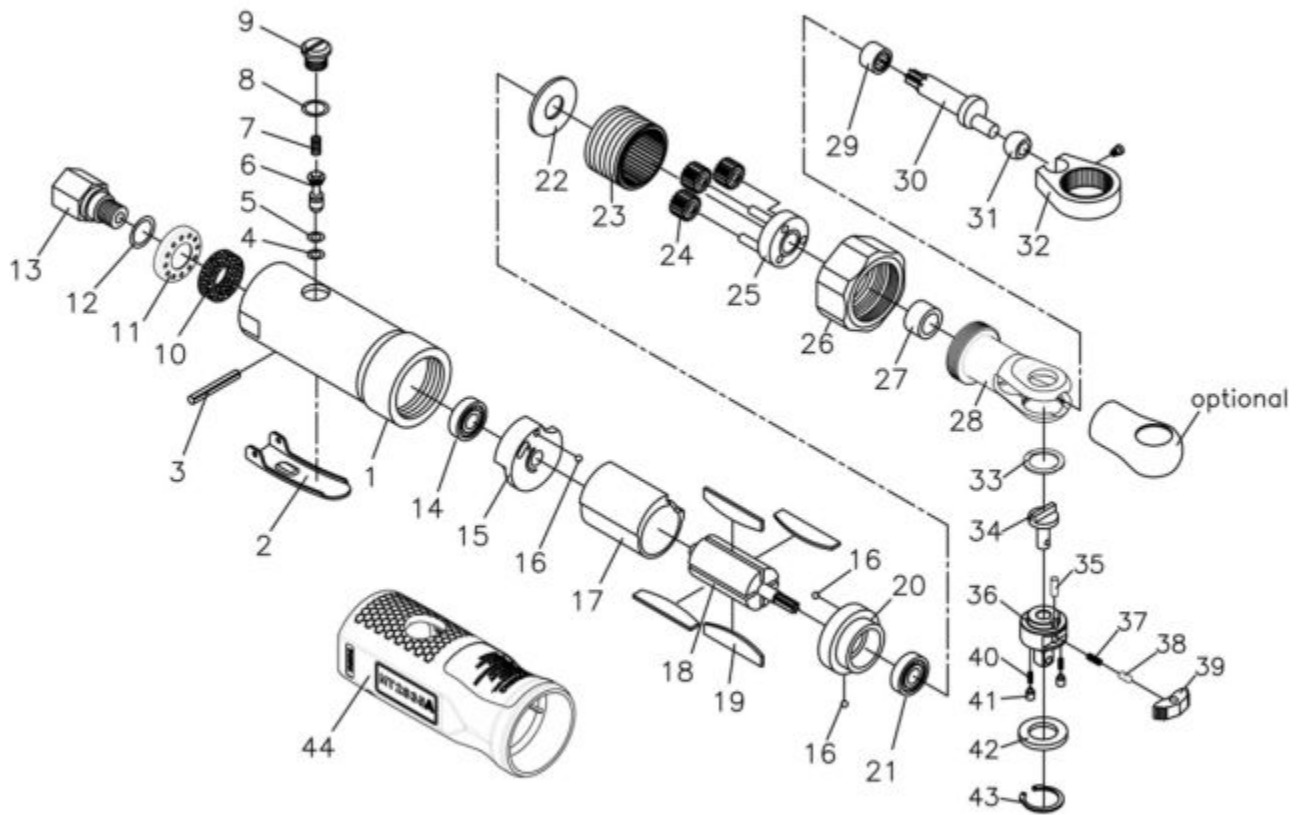


## MT2835A - 1/4" RATCHET



Item: MT2835A

Description: 1/4" RATCHET

Notes: \* Available only as a 1/4" ratchet head kit, part # MT1835RHK. Also available: MT2835PC Head Boot US patent #6,305,246

Figure No	Part Number	Description	No. Reqd	Warranty Code
1	K7RS283501	MTR HOUSING W/BUSING MT2835	1	X
2	RS283653	THROTTLE LEVER	1	X
3	K7RS706132	PIN F/SE355	1	X
4	K7305A04	O-RING	1	X
5	K7305A05	O-RING	1	X
6	K7RS283506	THROTTLE PIN	1	X
7	K7305A07	SPRING	1	X
8	K7305A10	O-RING	1	X
9	K7RS283409	AIR REGULATOR F/MT2840	1	X
10	K7RS283510	FELT	1	X
11	K7RS283511	MUFFLER F/MT1842	1	X
12	K7305A09	O-RING	1	X
13	K7RS283513	AIR INLET F/MT2835	1	X
14	K730516	REAR ROT.BALL BEAR.F/RL305	1	X
15	K7RS32217	REAR END PLATE F/MT2840	1	X
16	*K7-	STEEL	3	
17	K7RS281418	CYLINDER F/MT2814	1	X
18	K7RS250APR18	ROTOR F/MT2842	1	X
19	K7305A19	VANE F/RL305A	4	X
20	K7RS250ARR20	TOP MOTOR PLATE F/MT2842	1	X
21	K7RS30524	BALL BEARING F/MT1883,MT1834	1	X
22	K7RS283522	SPACER F/MT2842	1	X
23	K7RS250ARR22	INTERNAL GEAR F/MT2842	1	X
24	K7RS281424A	PLANET GEAR F/MT2814	3	X
25	K7RS283525A	PLANET GEAR CARRIER F/MT2842A	1	X
26	K7RS283526	CLAMP NUT MT2842	1	X
27	*K7RS283527A	BUSHING	1	
28	K7RS283528	RACHET HOUSING F/MT2840	1	X
29	K7RS283529	NEEDLE BEARING F/MT2840	1	X
30	K7RS283530	CRANK SHAFT	1	X
31	K7RS283428	DRIVE BUSHING	1	X
32	K7RS283429	RACHET YOKE F/MT2842	1	X

33	*K7*	WASHER	1	
34	*K7*	REVERSE BUTTON	1	
35	*K7*	PIN	1	
36	*K7*	1/4" ANVIL	1	
36	MT1835RHK	REPAIR HEAD KIT	1	K
37	*K7*	SPRING	1	
38	*K7*	LOCK PIN	1	
39	*K7*	RATCHET PAWL	1	
40	*K7*	SPRING	2	
41	*K7*	PIN	2	
42	*K7*	1/4" THRUST WASHER	1	
43	*K7*	RETAINER RING	1	
44	K7RS283544A	COMFORT GRIP FOR MT2835A	1	X