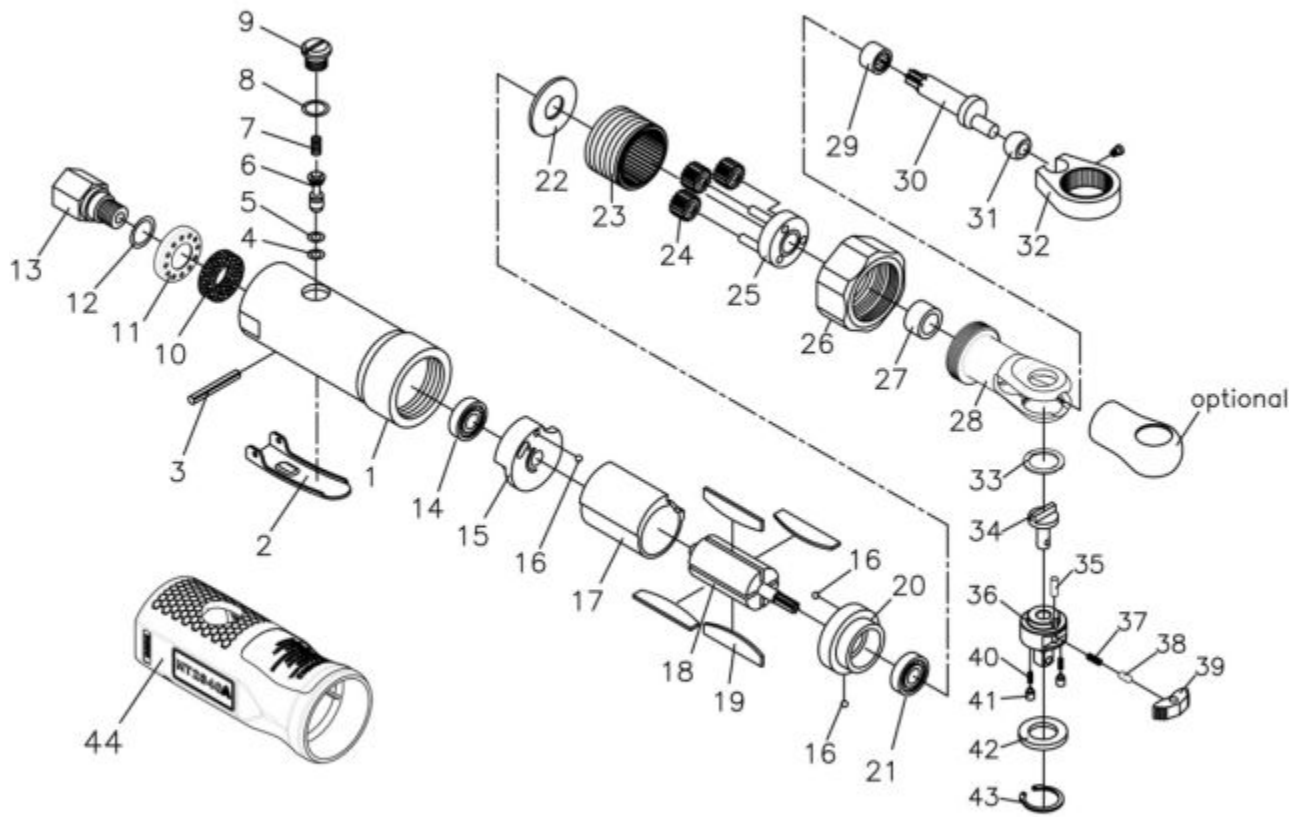


MT2840A - 3/8" AIR RATCHET



Item: MT2840A

Description: 3/8" AIR RATCHET

Notes: * Available only as a 3/8" ratchet head kit, part # MT1840RHK. Also available: MT2835PC Head Boot US patent #6,305,246

Figure No	Part Number	Description	No. Reqd	Warranty Code
1	K7RS283501	MTR HOUSING W/BUSING MT2835	1	X
2	K7RS283502	LEVER	1	X
3	K7RS706132	PIN F/SE355	1	X
4	K7305A04	O-RING	1	X
5	K7RS305A05	O RING F/MT3880,MT3884	1	X
6	K7RS283506	THROTTLE PIN	1	X
7	K7305A07	SPRING	1	X
8	K7305A10	O-RING	1	X
9	K7RS283409	AIR REGULATOR F/MT2840	1	X
10	K7RS283510	FELT	1	X
11	K7RS283511	MUFFLER F/MT1842	1	X
12	K7305A09	O-RING	1	X
13	K7RS283513	AIR INLET F/MT2835	1	X
14	K7RS30516	BALL BEARING 1884,1884R,RL305A	1	X
15	K7RS32217	REAR END PLATE F/MT2840	1	X
16	*K7none given	STEEL BALL	3	
17	K7RS281418	CYLINDER F/MT2814	1	X
18	K7RS250APR18	ROTOR F/MT2842	1	X
19	K7305A19	VANE F/RL305A	4	X
20	K7RS250ARR20	TOP MOTOR PLATE F/MT2842	1	X
21	K730524	FRONT BEARING	1	X
22	K7RS283522	SPACER F/MT2842	1	X
23	K7RS250ARR22	INTERNAL GEAR F/MT2842	1	X
24	K7RS281424A	PLANET GEAR F/MT2814	3	X
25	K7RS283525A	PLANET GEAR CARRIER F/MT2842A	1	X
26	K7RS283526	CLAMP NUT MT2842	1	X
27	*K7RS283527A	BUSHING	1	
28	K7RS283528	RACHET HOUSING F/MT2840	1	X
29	K7RS283529	NEEDLE BEARING F/MT2840	1	X
30	K7RS283530	CRANK SHAFT	1	X
31	K7RS283428	DRIVE BUSHING	1	X
32	K7RS283429	RACHET YOKE F/MT2842	1	X

33	*K7*	WASHER	1
34	*K7*	REVERSE BUTTON	1
35	*K7*	PIN	1
36	*K7*	3/8" ANVIL	1
37	*K7*	SPRING	1
38	*K7*	LOCK PIN	1
39	*K7*	RATCHET PAWL	1
40	*K7*	SPRING	2
41	*K7*	PIN	2
42	*K7*	3/8" THRUST WASHER	1
43	*K7*	RETAINER RING	1
44	*K7RS284044A	COMFORT GRIP	1