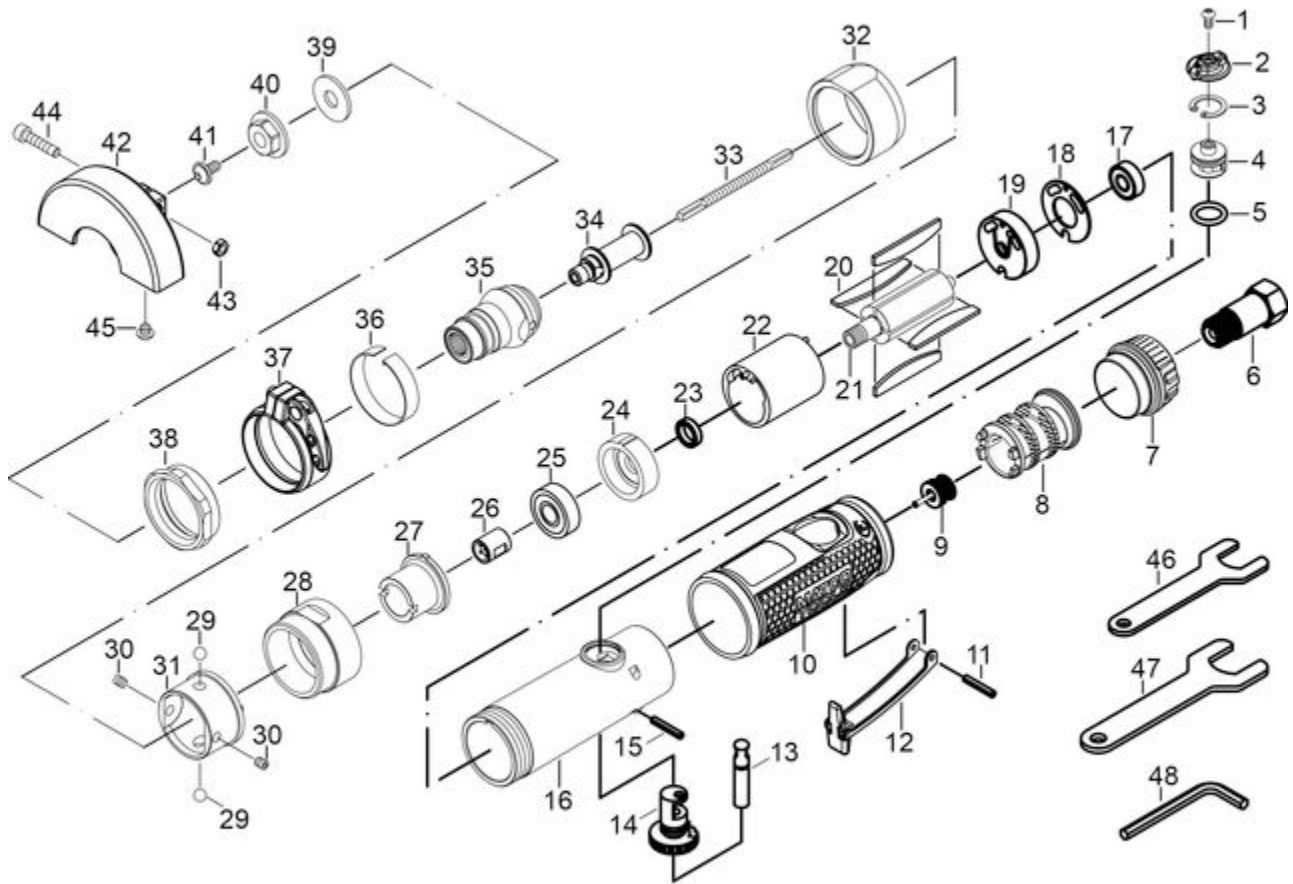


MT2875R - FLEX HEAD REV CUT OFF TOOL



Item: MT2875R

Description: FLEX HEAD REV CUT OFF TOOL

Notes: RSMT2875RPWL Product Warning Label

| Figure No | Part Number | Description | No. Reqd | Warranty Code |
|-----------|---------------|-----------------------|----------|---------------|
| 1 | *K7RS850XLR77 | SCREW (M4*8) | 1 | |
| 2 | *K7RS251001 | REV/FWD KNOB | 1 | |
| 3 | *K7RS850XLR78 | SNAP RING (RTW-18) | 1 | |
| 4 | *K7RS850XLR79 | REGULATOR SET | 1 | |
| 5 | *K7RS850XLR60 | O-RING (S16) | 1 | |
| 6 | *K7RS850XLR07 | AIR INLET | 1 | |
| 7 | *K7RS251002 | EXHAUST SLEEVE SET | 1 | |
| 8 | *K7RS251003 | MUFFLER | 1 | |
| 9 | *K7RS820R14 | VALVE SET | 1 | |
| 10 | *K7RS251004 | PROTECTING RUBBER | 1 | |
| 11 | K7RS621011 | SPRING PIN (3X4L) | 1 | X |
| 12 | *K7RS251005 | LEVER | 1 | |
| 13 | *K7RS251006 | VALVE STEM SET | 1 | |
| 14 | *K7RS251007 | VALVE HOLDER SET | 1 | |
| 15 | *K7RS820R161A | PIN (2.8*25.8L) | 1 | |
| 16 | *K7RS621017 | HOUSING | 1 | |
| 17 | K721114 | BEARING F/RL600 | 1 | X |
| 18 | *K7RS820R19 | WASHER (17*33.2*0.8T) | 1 | |
| 19 | *K7RS251008 | REAR PLATE | 1 | |
| 20 | K7RS850XLR22 | ROTOR BLADE | 1 | X |
| 21 | *K7RS251009 | ROTOR | 1 | |
| 22 | *K7RS251010 | CYLINDER SET | 1 | |
| 23 | *K7RS820R25 | BEARING SPACER | 1 | |
| 24 | *K7RS251011 | FRONT PLATE | 1 | |
| 25 | K710920 | BEARING FOR RL500 | 1 | X |
| 26 | *K7RS251012 | COUPLING NUT | 1 | |
| 27 | *K7RS251013 | WASHER | 1 | |
| 28 | *K7RS251014 | HOUSING NUT | 1 | |
| 29 | *K7RS251015 | STEEL BALL (1/4") | 1 | |
| 30 | *K7RS251016 | SCREW | 1 | |
| 31 | *K7RS251017 | SOCKET JOINT | 1 | |
| 32 | *K7RS251018 | CLAMP NUT | 1 | |
| 33 | *K7RS251019 | POWER SHAFT | 1 | |

| | | | | |
|----|---------------|-------------------|---|---|
| 34 | *K7RS251020 | DRIVE SHAFT SET | 1 | |
| 35 | *K7RS251021 | FLEX SHAFT SET | 1 | |
| 36 | *K7RS251022 | STEEL RING | 1 | |
| 37 | *K7RS251023 | LOCK RING SET | 1 | |
| 38 | *K7RS251024 | RETAINER RING | 1 | |
| 39 | *K7RS251025 | WHEEL WASHER | 1 | |
| 40 | *K7RS251026 | NUT | 1 | |
| 41 | *K7RS850XLR56 | SCREW (M5 X 12L) | 1 | |
| 42 | *K7RS251027 | GUARD | 1 | |
| 43 | *K7RS850XLR45 | NUT | 1 | |
| 44 | *K7RS60139 | SCREW (M4 X 20L) | 1 | |
| 45 | *K7RS251028 | SCREW (17MM) | 1 | |
| 46 | *K7RS251029 | STOP SPANNER | 1 | |
| 47 | K7RS103841 | WRENCH FOR MT1875 | 1 | X |
| 48 | *K7RS31539 | HEX (4M/M) | 1 | |