



MT2887A

**.50 HP 115° AMOLADORA ANGULAR DETROQUEL
RECTIFIEUSE À 115° .50 CV**

- Operating Instructions
- Warning Information
- Parts Breakdown

.50HP 115° ANGLE DIE GRINDER



SPECIFICATIONS

	MT2887A
Max. Free Speed.....	18,000 RPM
Collet Size	1/4"
Air Inlet.....	1/4" NPT
Min. Air Hose Size.....	3/8" ID
Average Air Consumption.....	3.5 CFM
Recommended Air Pressure.....	90 psig
Sound Level.....	82 dBA
Length.....	8.18"
Net Weight.....	2.15 LBS.

! WARNING



**RATED RPM OF THE
ACCESSORY USED MUST
EXCEED THE MAXIMUM
TOOL RPM SHOWN**



**ALWAYS READ
INSTRUCTIONS BEFORE
USING POWER TOOLS**



**ALWAYS WEAR
SAFETY GOGGLES**



**ALWAYS WEAR HEARING
PROTECTION**



**AVOID PROLONGED
EXPOSURE TO
VIBRATION**

! WARNING

Some dust created by power sanding, sawing, grinding, drilling, and other construction activities contains chemicals known to cause cancer, birth defects or other reproductive harm. Some examples of these chemicals are:

- lead from lead-based paints,
- crystalline silica from bricks and cement and other masonry products, and
- arsenic and chromium from chemically-treated lumber.

Your risk from these exposures varies, depending on how often you do this type of work. To reduce your exposure to these chemicals: work in a well ventilated area, and work with approved safety equipment, such as those dust masks that are specially designed to filter out microscopic particles.

⚠ WARNING

FAILURE TO OBSERVE THESE WARNINGS COULD RESULT IN INJURY



THIS INSTRUCTION MANUAL CONTAINS IMPORTANT SAFETY INFORMATION.

READ THIS INSTRUCTION MANUAL CAREFULLY AND UNDERSTAND ALL INFORMATION BEFORE OPERATING THIS TOOL.

It is the responsibility of the owner to make sure all personnel read this manual prior to using the device. It is also the responsibility of the device owner to keep this manual intact and in a convenient location for all to see and read. If the manual or product labels are lost or not legible, contact Matco Tools for replacements. If the operator is not fluent in English, the product and safety instructions shall be read and discussed with the operator in the operator's native language by the purchaser/owner or his designee, making sure that the operator comprehends its contents.

- Always operate, inspect and maintain this tool in accordance with American National Standards Institute Safety Code of Portable Air Tools (ANSI B186.1) and any other applicable safety codes and regulations.
- For safety, top performance and maximum durability of parts, operate this tool at 90 psig; 6.2 bar max air pressure with 3/8" diameter air supply hose.
- Always wear impact-resistant eye and face protection when operating or performing maintenance on this tool, users and bystanders.
- Always wear hearing protection when using this tool. High sound levels can cause permanent hearing loss. Use hearing protection as recommended by your employer or OSHA regulation, users and bystanders.
- Keep the tool in efficient operating condition.
- Operators and maintenance personnel must be physically able to handle the bulk, weight and power of this tool.
- Air powered tools can vibrate in use. Vibration, repetitive motions or uncomfortable positions over extended periods of time may be harmful to your hands and arms. Discontinue use of tool if discomfort, tingling feeling or pain occurs. Seek medical advice before resuming use.
- Air under pressure can cause severe injury. Never direct air at yourself or others. Always turn off the air supply, drain hose of air pressure and detach tool from air supply before installing, removing or adjusting any accessory on this tool, or before performing any maintenance on this tool. Failure to do so could result in injury. Whip hoses can cause serious injury. Always check for damaged, frayed or loose hoses and fittings, and replace immediately. Do not use quick detach couplings at tool. See instructions for correct set-up.
- Slipping, tripping and/or falling while operating air tools can be a major cause of serious injury or death. Be aware of excess hose left on the walking or work surface.
- Keep body working stance balanced and firm. Do not overreach when operating the tool.
- Anticipate and be alert for sudden changes in motion during start up and operation of any power tool.
- Do not carry tool by the hose. Protect the hose from sharp objects and heat.



- Tool shaft may continue to rotate briefly after throttle is released. Avoid direct contact with accessories during and after use. Gloves will reduce the risk of cuts or burns.
- Keep away from rotating end of tool. Do not wear jewelry or loose clothing. Secure long hair. Scalping can occur if hair is not kept away from tool and accessories. Choking can occur if neckwear is not kept away from tool and accessories.
- Use accessories recommended by Matco Tools.
- Do not operate a damaged or worn tool.
- **RPM OF THE ACCESSORY MUST EXCEED TOOL RPM. Use accessories rated at 18,000 RPM or higher.**
- **Never mount a grinding wheel, cut off wheel, router cutter or drill bit on a Die Grinder.**
- **Never use an arbor, mandrel or any other adaptor to convert the Die Grinder for any other application.**
- **Correct bonded abrasive mounted point grinding wheels, rotary files and carbide burrs are necessary to prevent injury from broken accessories. Do not use whipped or cracked bonded abrasive mounted point grinding wheels, rotary files and carbide burrs. Tighten the bonded abrasive mounted point grinding wheels, rotary files and carbide burrs on the collet to prevent spin off when the Die Grinder is turned off.**
- **Do not lock, tape or wire the "on/off" safety lever in the "on" position, as the lever must be free to return to the "off" position when released.**
- Do not lubricate tools with flammable or volatile liquids such as kerosene, diesel or jet fuel.
- Do not force tool beyond its rated capacity.
- Do not remove any labels. Replace damaged labels.
- This tool is not insulated against electric shock.
- Keep tool out of reach of children.
- Do not point or indulge in any horseplay with this tool.
- Note direction of rotation BEFORE operating this tool.
- This tool must not be used in explosive atmospheres.
- Do not use (or modify) the tool for any other purpose than that for which it was designed without consulting the manufacturer's authorized representative.
- Servicing and repairs should only be made by an authorized service center.
- This product may contain one or more chemicals known to the State of California to cause cancer and birth defects or other reproductive harm. *Wash hands thoroughly after handling.*

MT2887A .50 HP 115° Angle Die Grinder

FEATURES

- High performance efficient 1/2 HP motor for extra torque and extended durability
- Ideal for polishing and grinding jobs with all size pads
- Industrial cut gear design for extra long life and quiet performance
- Special angle head design for more clearance while doing limited access work
- Positive stop regulator for more versatile performance on all kinds of jobs
- Super comfortable safety throttle lever to prevent accidental start ups

OPERATION

Always turn off the air supply, drain hose of air pressure and detach tool from air supply before installing, removing or adjusting any part or accessory on this tool, or before performing any maintenance on this tool.

Bonded abrasive mounted point grinding wheels, rotary files and carbide burrs can be mounted providing their speed rating exceeds the speed of the Grinder. The shank size of the mounted accessory must match the collet size fitted in the Grinder. Insert the shank of the mounted point as far as possible into the collet and tighten the nut using the supplied wrenches. Minimum shank gripping length must be 10mm.

After mounting a new point, start the Grinder under bench and run for a few seconds. If the Grinder starts to vibrate when first fitting a mounted point or during operation, immediately remove from service. **If Grinder is dropped, replace grinding wheel, rotary file or carbide burr.**

When using the Grinder, be careful not to exert excessive force which could be hazardous and cause mounted spindle to bend or break.

NOTE: During operation, safety goggles should always be worn to guard against flying rust and chips (users & bystanders).

MT2887A .50 HP 115° Angle Die Grinder

AIR SUPPLY

Tools operate on a wide range of air pressures. It is recommended that air pressure measures 90 psig at the tool with the trigger fully depressed and no load applied to the tool. Higher pressure (over 90 psig; 6.2 bar) raises performance beyond the rated capacity of the tool, which will shorten tool life and could cause injury.

Always use clean, dry air. Dust, corrosive fumes and/or water in the air line will cause damage to the tool. Drain the water from air lines and compressor prior to running tool. Clean the air inlet filter screen weekly. The recommended hookup procedure can be viewed in the below figure.

The air inlet used for connecting air supply has standard 1/4" NPT. Line pressure should be increased to compensate for unusually long air hoses (over 25 feet). Minimum hose diameter should be 3/8" I.D. and fittings should have the same inside dimensions and be tightly secured.

⚠WARNING

Ensure an accessible emergency shut off valve has been installed in the air supply line and make others aware of its location.

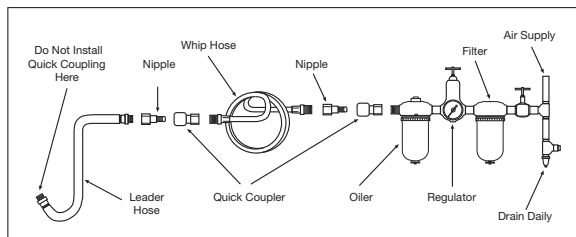


FIG. 1

TROUBLESHOOTING

Other factors outside the tool may cause loss of power or erratic action. Reduced compressor output, excessive drain on the air line, moisture or restrictions in air pipes or the use of hose connections of improper size or poor conditions may reduce air supply. Grit or gum deposits in the tool may cut power and may be corrected by cleaning the air strainer and flushing out the tool with gum solvent oil or an equal mixture of SAE #10 and kerosene. If outside conditions are in order, disconnect tool from hose and take tool to your nearest authorized service center.

LUBRICATION & MAINTENANCE

Lubricate the air motor daily with high quality air tool oil. If no air line oiler is used, run 1/2 oz. of oil through the tool. The oil can be squirted into the tool air inlet or into the hose at the nearest connection to the air supply, then run the tool. A rust inhibitive oil is acceptable for air tools.

⚠WARNING

After an air tool has been lubricated, oil will discharge through the exhaust port during the first few seconds of operation. The exhaust port must be covered with a towel before applying air pressure to prevent serious injury.

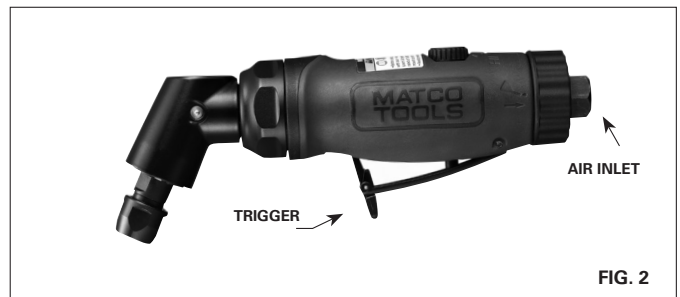


FIG. 2

WARRANTY

Matco warrants this air tool for a period of 2 year to the consumer. We will repair any MT Series air tool covered under this warranty which proves to be defective in material or workmanship during the warranty period. In order to have your tool repaired, return the tool to any of the Matco Authorized Warranty Centers listed, freight prepaid. Please include a copy of your proof of purchase and a brief description of the problem. The tool will be inspected and if any part or parts are found to be defective in material or workmanship, the tool will be repaired free of charge and returned to you freight prepaid.

This warranty gives you specific rights. You may also have other rights which vary from state to state.

The foregoing obligation is Matco's sole liability under this or any implied warranty and under no circumstances shall Matco be liable for any incidental or consequential damages.

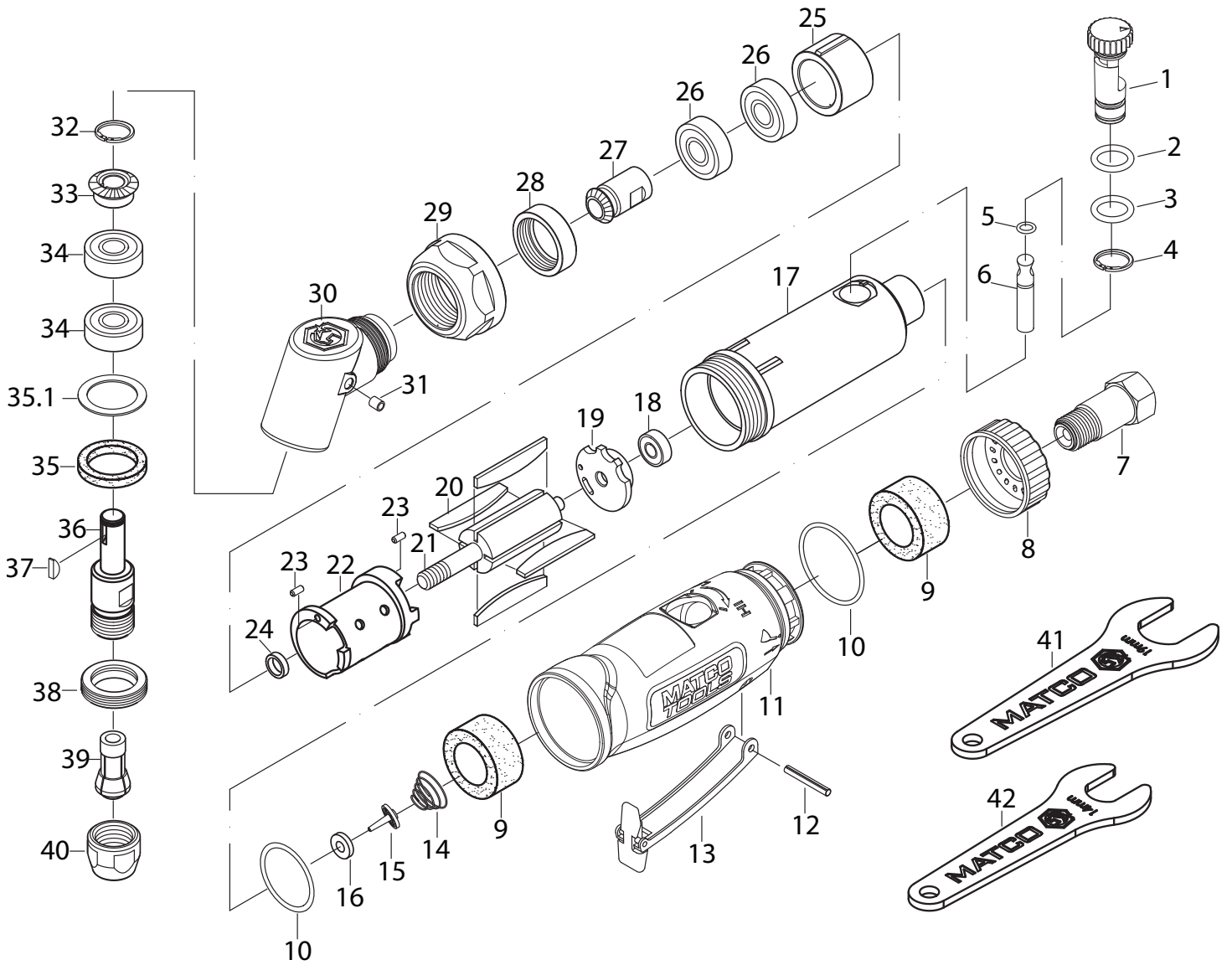
Note: Some states do not allow the exclusion or limitation of incidental or consequential damages so the above limitation or exclusion may not apply to you.

**NATIONAL MACHINE GROUP
AIR TOOL REPAIR CENTER**
1330 Commerce Dr.
Stow, OH 44224
(330) 688-6494

**NATIONAL MACHINE GROUP
AIR TOOL REPAIR CENTER**
2223 S. Wilson Street
Tempe, AZ 85282
(480) 966-1097

HT PNEUMATIC REBUILDERS
22 Goodmark Place Unit #8
Toronto, ON M9w 6R2
(416) 213-0172

MT2887A .50 HP 115° Angle Die Grinder



MT2887A .50 HP 115° Angle Die Grinder

REF. NO.	PART NO.	DESCRIPTION	QTY.
1	RS288701	Regulator	1
2	RS288302	O-Ring (P10)	1
3	RS288303	O-Ring (P9)	1
4	RS288304	Snap Ring (ISTW12)	1
5		O-Ring (S4) (included with #6)	1
6	RS246606	Valve Stem (with #5 O-Ring)	1
7	RS288307	Inlet Bushing	1
8	RS288308A	Exhaust Sleeve	1
9	RS288309	Silencer (31.5 x 20 x 17.4L)	2
10	RS288310	O-Ring (S34)	2
11	RS288711A	Protecting Rubber	1
12	RS288312	Pin (3 x 25L)	1
13	RS288313	Lever	1
14	RS288314	Spring	1
15	RS288315	Valve	1
16	RS288316	Washer (6x13.8x1.6T)	1
17	RS288317	Housing	1
18	RS30516	Bearing (696ZZ)	1
19	RS288319	Rear Plate	1
20	RS288320	Rotor Blade	4
21	RS288321	Rotor	1
22	RS288322	Cylinder	1
23	RS288323	Pin (2.5 x 6L)	2
24	RS2GR23	Bearing Spacer	1
25	RS288325	Front Plate	1
26	RS30524	Bearing (608ZZ)	2
27	RS288727	Bevel Gear (18T)	1
28	RS288328	Nut	1
29	RS288329	Clamp Nut	1
30	RS288730A	Angle Housing (including #31)	1
31	RS288331	Grease Fitting (3/16")	1
32	RS288732	Snap Ring (ISTW9)	1
33	RS288733	Bevel Gear (20T)	1
34	RS288734	Bearing (609ZZ)	2
35	RS288735	Washer	1
36	RS288736	Shaft	1
37	RS288337	Key	1
38	RS288738	Clamp Nut	1
39	RS20635	1/4" Collet	1
	RS20635A	1/8" Collet (optional)	
40	RS20636	Collet Nut	1
41	RS288341	Stop Spanner (19mm)	1
42	RS288342	Stop Spanner (14mm)	1
43	RS2887AWL	Warning Label	1



MT2887A

- Instrucciones de Operación
- Información de Advertencia
- Revisión de Refacciones

**.50 HP 115° AMOLADORA ANGULAR DE TROQUEL
RECTIFIEUSE À 115° .50 CV**

.50HP 115° ANGLE DIE GRINDER



ESPECIFICACIONES

	MT2887A
Velocidad Libre Máxima	18,000 RPM
Tamaño de Pinza de Sujeción	1/4"
Admisión de Aire	1/4" NPT
Tamaño Mínimo de Manguera de Aire.....	3/8" ID.
Consumo Promedio de Aire	3.5 CFM
Presión Recomendada de Aire	90 PSIG
Nivel de Sonorización	82 DBA
Longitud	8.18"
Peso Neto	2.15 LBS.

⚠ ADVERTENCIA



LEER SIEMPRE LAS INSTRUCCIONES ANTES DE USAR LAS



LEER SIEMPRE LAS INSTRUCCIONES ANTES DE USAR LAS HERRAMIENTAS NUEMÁTICAS



USAR SIEMPRE ANTEOJOS PROTECTORES



USAR PROTECCIÓN PARA LOS OÍDOS



EVITAR EXPOSICIÓN PROLONGADA A LAS VIBRACIONES

⚠ ADVERTENCIA

El polvo creado por la lijación eléctrica, la aserradura, la trituración, la perforación y otras actividades de construcción contiene químicos conocidos como causantes de cáncer, defectos de nacimiento u otros daños a reproducción. Algunos ejemplos de dichos químicos son:

- El plomo proveniente de pintura con base de plomo,
- La silica cristalina de ladrillo y cemento y otros productos de mampostería, y
- El arsénico y el cromo de maderos químicamente tratados.

El riesgo de dichas exposiciones varía, dependiendo de la frecuencia con la cual usted realice este tipo de trabajo. Para reducir su exposición a dichos químicos: trabaje en una área bien ventilada y con equipo de seguridad aprobado, tales como las máscaras anti-polvo, los que son específicamente diseñados para filtrar las partículas microscópicas.

⚠ ADVERTENCIA

EL INCUMPLIMIENTO DE OBSERVAR ESTAS ADVERTENCIAS PUEDEN RESULTAR EN ALGUNA LESIÓN



ESTE MANUAL DE INSTRUCCIONES CONTIENE INFORMACIÓN IMPORTANTE DE SEGURIDAD. LEA CUIDADOSAMENTE ESTE MANUAL INSTRUCTIVO Y COMPRENDA TODA INFORMACIÓN ANTES DE OPERAR ESTA HERRAMIENTA.

Lea y comprenda todas las instrucciones. Hacer caso omiso al seguir todas las instrucciones alistadas a continuación podría ocasionar el choque eléctrico, incendio, explosiones y/o lesiones personales serias. Es la responsabilidad del propietario asegurarse que todo el personal lea este manual previo al uso de este dispositivo. También es la responsabilidad del propietario del dispositivo mantener intacto este manual y en un lugar conveniente para que todos lo lean y vean. Si el manual o las etiquetas se hayan perdido o no sean legibles, comuníquese con Matco Tools por algunos repuestos. Si el operador no domina el idioma inglés, las instrucciones del producto y de seguridad le serán leídas y discutidas con el operador en el idioma materno del operador por parte del comprador/propietario o su designado, asegurándose que el operador comprenda el contenido.

- Opere, inspeccione y mantenga siempre esta herramienta de acuerdo con el Código de Seguridad del Instituto Americano de Estándares Nacionales para las Herramientas Portátiles Neumáticas (ANSI B186.1) y cualquier otro código o regulación aplicables.
- Por seguridad, desempeño superior y durabilidad máxima de las refacciones, opere esta herramienta a la máxima presión de aire al 90 psig; 6.2 barg. con una manguera de alimentación de aire de 3/8" en diámetro.



- Al operar o al realizar el mantenimiento de esta herramienta, lleve siempre la protección de ojos y cara resistentes al impacto.



- Al usar esta herramienta, lleve siempre protección para los oídos. Los altos niveles de ruido pueden ocasionar la pérdida permanente del oído. Use protección para los oídos según lo recomendado por su empleador o regulación OSHA.



- Mantenga esta herramienta en condición eficiente de operación.



- Los operadores y personal de mantenimiento deben poder físicamente manejar el volumen, peso y potencia de esta herramienta.
- Las herramientas neumáticas pueden vibrar con su uso. Las vibraciones, movimientos repetitivos o posiciones incómodas durante períodos extendidos de tiempo pueden ser dañinos para sus manos y brazos. Suspnda el uso de la herramienta si experimente molestias, estremecimiento o dolor. Antes de continuar usándola, solicite el consejo médico.



- El aire bajo presión puede ocasionar alguna herida severa. Nunca dirija el aire hacia usted ni a otros. Apague siempre la alimentación de aire, vacíe la manguera de toda presión de aire y separe la herramienta de la alimentación de aire antes de instalar, quitar o ajustar cualquier accesorio de esta herramienta, o antes de realizar cualquier mantenimiento de esta herramienta. La falla en hacerlo podría resultar en alguna lesión. Las mangueras de látigo pueden ocasionar alguna herida seria. Revise siempre las mangueras y herrajes por daños, deshilachas o solturas, y repóngalos inmediatamente. No use en la herramienta los acoplamientos de rápida separación. Vea las instrucciones por la instalación correcta.
- Resbalsarse, tropezarse y/o caerse durante la operación de herramientas neumáticas puede ser una causa mayor de lesión seria o la muerte. Sea consciente de la manguera excedente, dejada por la superficie para caminar o trabajar.
- Mantenga balanceada y firme la postura corporal de trabajo. No se extra limite al operar esta herramienta.
- Anticipe y sea alerta por cambios repentinos de



movimiento durante el arranque inicial y operación de cualquier herramienta neumática.



- No lleve la herramienta por la manguera. Proteja la manguera de objetos afilados y del calor.
- El eje de la herramienta puede seguir rotando brevemente después de que se libere la válvula reguladora. Evite el contacto directo con los accesorios durante y después del uso. Los guantes reducirán el riesgo de alguna cortada o quemadura.



- Manténgase lejos del extremo rotador de la herramienta. No lleve puesto ni joyería ni ropa suelta. Fije el pelo largo. Se puede arrancar el cabello si no se lo mantenga a distancia de la herramienta y accesorios. Mantenga a distancia de la herramienta y de los accesorios los accesorios del cuello para evitar el ahogamiento.

- Use los accesorios recomendados por Matco Tools.

- No opere ninguna herramienta dañada ni desgastada.

- **LAS RPM DEL COMPLEMENTO DEBERÁN EXCEDER LAS RPM DE LA HERRAMIENTA. Use accesorios clasificados a unas 18,000 RPM o mayores.**

- **Nunca monte unas ruedas de corte o brocas de taladro**

- **Nunca use ningún eje, mandril ni ningún otro adaptador para convertir el disco abrasivo a ninguna otra aplicación.**

- **Se requieren ruedas de amolar, limas giratorias y fresas de carburo de punto montado y abrasivo aglomerado correctas con el fin de prevenir lesiones provenientes de accesorios rotos. No use ruedas de amolar, limas giratorias ni fresas de carburo de punto montado y abrasivo aglomerado en la boquilla con el fin de prevenir su salida del disco al momento de apagar el disco abrasivo.**

- **No bloquee, ni use cinta ni alambre para bloquear la palanca de seguridad de "encendido/apagado" en la posición de encendido ["on"], ya que la palanca deberá estar libre para volverse a la posición de "apagado" ("off") cuando ésta sea liberada.**



- No lubrique las herramientas con soluciones inflamables ni volátiles, tales como el queroseno, el gasóleo ni el combustible para aviones.

- No fuerce las herramientas más allá de su capacidad nominal.



- No quite ninguna etiqueta. Reponga las etiquetas dañadas.

- Esta herramienta no está aislada contra el choque eléctrico.

- Mantenga la herramienta fuera del alcance de los niños.

- Positionnez bien l'outil avant de le mettre en marche. Ne pointez jamais l'outil sur quelqu'un. Évitez toute chamailleerie quand vous avez l'outil en main.

- Vérifier le sens de rotation AVANT d'utiliser et outil.

- Esta herramienta no debe usarse en ambientes explosivos.

- No use (ni altere) la herramienta para ningún uso excepto él para el cual fue diseñada, sin consultar al representante autorizado del fabricante.

- Las reparaciones y mantenimiento deben realizarse únicamente por parte de un centro de servicio autorizado.

- Este producto contiene sustancias químicas consideradas por el Estado de California como causantes de cáncer, de malformaciones congénitas u otros daños en el sistema reproductivo. *Lávese bien las manos después de manipular el producto.*



CARACTERÍSTICAS

- Motor eficiente de alto rendimiento de 1/2 HP para mayor torsión y una durabilidad prolongada
- Ideal para los trabajos de pulido y pulverización con cualquier tamaño de cojinete
- Diseño de engrane de corte industrial para una vida útil prolongada y un rendimiento silencioso
- Diseño especial con cabeza angular para mayor despeje al hacer trabajos de acceso limitado
- Regulador de paro positivo para mayor rendimiento versátil en cualquier tipo de trabajo
- Válvula reguladora de palanca de seguridad muy cómoda para la prevención de arranques accidentales

LA OPERACIÓN

Siempre apague el suministro de aire, vacíe la manguera de su presión de aire y desconecte la herramienta del suministro de aire antes de instalar, extraer o ajustar cualquier parte o accesorio en esta herramienta o antes de realizar cualquier servicio a esta herramienta.

Siempre apague el suministro de aire, vacíe la manguera de la presión de aire y desconecte la herramienta del suministro de aire antes de instalar, extraer o ajustar cualquier parte o accesorio en esta herramienta, o antes de realizar cualquier servicio a la herramienta.

Los discos abrasivos pegados de punto montado, limas giratorias y fresas de carburo pueden montarse siempre y cuando su velocidad clasificada exceda la velocidad de la amoladora. El tamaño del vástago del accesorio montado debe igualar el tamaño del collarín ajustado en la amoladora. Inserte el vástago del punto montado lo más adentro que se pueda en el collarín y apriete la tuerca usando las llaves provistas. La mínima largura del vástago deberá ser de 10mm.

Después de montar un nuevo punto, encienda el disco abrasivo debajo del banco y deje que funcione por algunos segundos. Si el disco abrasivo comienza a vibrar al momento de inicialmente ajustar un punto de montaje o durante la operación, inmediatamente déjelo de usar. Si se cae la amoladora, reponga el disco abrasivo, la lima giratoria o la fresa de carburo.

Al momento de usar la amoladora, tenga cuidado de no ejercer un esfuerzo excesivo el cual podría ser peligroso o ocasionar la dobladura o rotura del eje montado.

NOTA: Durante la operación, los goggles de seguridad deberán llevarse puesto para guardar contra las astillas o corrosión voladoras (usuarios & espectadores).

ALIMENTACIÓN DE AIRE

Las herramientas de esta categoría operan dentro de un rango amplio de presión de aire. Al trabajar libremente, se recomienda que la presión de aire de estas herramientas mida a un 90 psig en la herramienta. La presión alta y el aire sucio disminuirán la vida de la herramienta debido al desgaste más rápido, y pueden crear condiciones peligrosas.

Cualquier agua en la línea de aire dañará la herramienta. Drene diariamente el tanque de aire. Limpie al menos semanalmente la malla de filtración de la ventila de admisión de aire. El procedimiento recomendado de conexión se puede revisar en la Figura 1.

La ventila de admisión de aire (Figura 2), empleada para la conexión de abastecimiento de aire, cuenta con la Rosca Estándar Americana NPT 1/4".

La presión de línea debe ser aumentada para compensar por mangueras excepcionalmente largas (más de 25 pies). El diámetro mínimo de manguera debe ser de 3/8" Diám. Int. y los herrajes deben tener la misma dimensión interior.

⚠ ADVERTENCIA

Asegúrese que se haya instalado una válvula accesible de apagado por emergencia en la línea de suministro de aire e informe a otros de su ubicación.

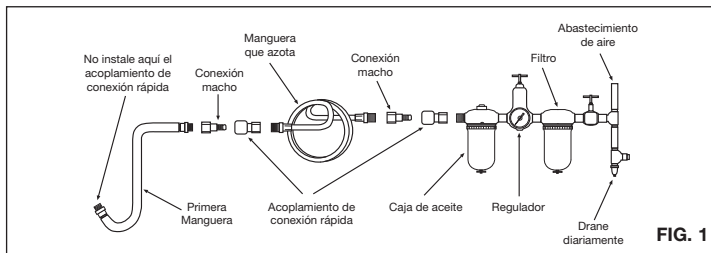


FIG. 1

DIAGNÓSTICO DE AVERÍAS

Otros factores independientes de la herramienta pueden ocasionar la pérdida de potencia o alguna acción errática. Las emisiones reducidas de la salida del compresor, el drenaje excesivo en la línea de aire, la humedad o las restricciones en las pipas de aire o el uso de conexiones de manguera de tamaño inadecuado, o pobres condiciones, pueden disminuir el suministro de aire. Si las condiciones exteriores son adecuadas y la herramienta aún funciona de forma errática, desconecte la herramienta de la manguera y lleve la herramienta al centro de servicio autorizado Matco más cercano a usted.

LUBRICACIÓN & MANTENIMIENTO

Lubrique diariamente la herramienta con algún aceite de buena calificación para herramientas neumáticas. Si no se usa ningún engrasador de línea de aire, deje caer 1/2 oz. de aceite por la herramienta. Se puede lanzar un chorro de aceite por la ventila de admisión de aire de la herramienta, Figura 2, o por la manguera en la conexión más cercana al abastecimiento de aire, luego marche la herramienta. Un aceite para la inhibición de la oxidación es adecuado para las herramientas neumáticas.

⚠ ADVERTENCIA

After an air tool has been lubricated, oil will discharge through the exhaust port during the first few seconds of operation. The exhaust port must be covered with a towel before applying air pressure to prevent serious injury.



FIG. 2

GARANTÍA

Matco garantiza esta herramienta neumática por un periodo de dos años para el consumidor. Reparemos cualquier herramienta neumática de la Serie MT, cubierta bajo esta garantía, la cual demuestra ser defectuosa en cuestión material o mano de obra durante el periodo de dicha garantía. Para que se repare su herramienta, devuelva la herramienta a cualquiera de los Centros de Garantía Autorizados de Matco alistados a continuación, con el flete prepago. Incluye por favor una copia de su comprobación de compra y una breve descripción del problema. Se inspeccionará la herramienta y si cualquier pieza o piezas se encuentre(n) con algún defecto material o de mano de obra, se reparará la herramienta, libre de cargos, y ésta será devuelta a usted con flete prepago.

Esta garantía le proporciona ciertos derechos. Usted puede tener también otros derechos los cuales varían de estado a estado.

La obligación anterior es la única responsabilidad de Matco bajo esta o cualquier garantía implicada y Matco no será, bajo ninguna circunstancia, responsable por los daños incidentales ni consecuenciales.

NOTA: Esta garantía le brinda derechos legales específicos y usted también podría contar con otros derechos los cuales varían de estado a estado.

**NATIONAL MACHINE GROUP
AIR TOOL REPAIR CENTER**
1330 Commerce Dr.
Stow, OH 44224
(330) 688-6494

**NATIONAL MACHINE GROUP
AIR TOOL REPAIR CENTER**
2223 S. Wilson Street
Tempe, AZ 85282
(480) 966-1097

HT PNEUMATIC REBUILDERS
22 Goodmark Place Unit #8
Toronto, ON M9w 6R2
(416) 213-0172



MT2887A

**.50 HP 115° AMOLADORA ANGULAR DE TROQUEL
RECTIFIEUSE À 115° .50 CV**

**.50HP 115° ANGLE
DIE GRINDER**

- Instructions de fonctionnement
- Avertissement
- Pièces



SPÉCIFICATIONS

	MT2887A
Vitesse maximale à vide	18 000 R/MIN
Dimension de la pince	1/4"
Entrée d'air	1/4 po NPT
Dimension minimum du tuyau d'air	3/8" ID
Consommation d'air moyenne	3.5 PI ³ /MIN
Pression d'air recommandée	90 PSI
Niveau sonore	82 dBA
Longueur	8.18"
Poids net	2.15 LB

⚠ AVERTISSEMENT



LE R/MIN DE L'ACCESSOIRE DOIT EXCÉDER CELUI DE L'OUTIL.



LISEZ TOUJOURS LES INSTRUCTIONS AVANT D'UTILISER LES OUTILS MOTORISÉS.



PORTEZ TOUJOURS DES LUNETTES DE SÉCURITÉ.



PORTEZ UNE PROTECTION POUR LES OREILLES.



ÉVITEZ L'EXPOSITION PROLONGÉE AUX VIBRATIONS.

⚠ AVERTISSEMENT

Certaines poussières produites par le sablage, le sciage, le meulage, le perçage et autres activités de construction contiennent des produits chimiques qui peuvent causer le cancer, des anomalies congénitales ou autres problèmes de reproduction. Voici quelques exemples de produits chimiques :

- Plomb provenant des peintures,
- Silicium cristallin provenant des briques, du ciment et d'autres produits de maçonnerie et
- Arsenic et chrome provenant du bois traité chimiquement.

Le risque que présentent ces expositions varient selon le nombre de fois que vous faites ce type de travail. Pour réduire l'exposition à ces expositions : travaillez dans un endroit bien ventilé et travaillez avec l'équipement de sécurité approuvé comme les masques à poussière qui sont conçus pour filtrer les particules microscopiques.

⚠ AVERTISSEMENT

LE NON-RESPECT DE CES AVERTISSEMENTS POURRAIT ENTRAÎNER DES BLESSURES.



CE GUIDE D'UTILISATION RENFERME D'IMPORTANTES CONSIGNES DE SÉCURITÉ. LISEZ CE GUIDE D'UTILISATION ATTENTIVEMENT ET ASSUREZ-VOUS D'AVOIR BIEN COMPRIS TOUTES LES DIRECTIVES AVANT D'UTILISER CET OUTIL.

Veillez lire et bien comprendre toutes les instructions. Tout manquement aux instructions indiquées ci-après pourrait entraîner un choc électrique, un incendie, une explosion et/ou des blessures personnelles graves. Il est de la responsabilité du propriétaire de s'assurer que tout le personnel lise ce manuel avant d'utiliser l'appareil. Il revient aussi au propriétaire de l'appareil de conserver ce manuel en bon état et dans un endroit accessible permettant au manuel d'être vu et lu par tous. Si le manuel ou les étiquettes du produit sont perdus ou illisibles, contactez Matco Tool. Outils pneumatiques professionnels pour les faire remplacer. Si l'utilisateur opérateur de l'appareil ne maîtrise pas bien l'anglais, les instructions relatives au produit et aux mesures de sécurité devront être lues et discutées avec l'opérateur dans sa langue maternelle par l'acheteur-propriétaire ou toute personne habilitée par lui à le faire, en s'assurant que l'opérateur en comprend bien le contenu.

- Veuillez toujours utiliser, inspecter et entretenir cet outil conformément au code de sécurité ANSI sur les outils pneumatiques portatifs (ANSI B186.1) et à tout autre loi ou règlement relatif à la sécurité.
- Pour assurer un fonctionnement sécuritaire, un rendement optimal et la durabilité des pièces, utilisez une pression d'air maximale de 90 lb/po², 6,2 bar et un boyau d'un diamètre de 3/8 po.
- Toujours porter des lunettes de sécurité et un appareil respiratoire (utilisateurs et spectateurs).
- Les niveaux sonores élevés peuvent provoquer une perte auditive permanente. Portez toujours l'équipement de protection auditive recommandé par votre employeur et les règlements de l'OSHA quand vous utilisez cet outil (utilisateurs et spectateurs).
- Afin de réduire l'exposition aux débris de polissage, travailler dans un endroit bien aéré et avec l'équipement de protection personnelle adéquat.
- L'utilisation de cet outil expose à des risques d'impact, de coupure, d'abrasion et de brûlure. Porter des gants pour protéger les mains.
- Conservez cet outil en bon état de marche.
- Les personnes qui utilisent ou entretiennent cet outil être capables de le manipuler compte tenu de sa grosseur, de son poids et de sa puissance.
- Les outils pneumatiques peuvent vibrer pendant l'utilisation. Une exposition prolongée aux vibrations, les mouvements répétitifs, ou une posture inconfortable lors de l'utilisation peuvent être nuisibles pour vos mains et vos bras. Arrêtez d'utiliser l'outil en cas d'inconfort ou si vous ressentez des picotements ou de la douleur. Consultez un médecin avant de recommencer à utiliser l'outil.
- L'air comprimé peut causer de graves blessures. Évitez de diriger le jet d'air vers vous ou vers d'autres personnes. Avant d'installer, de retirer ou d'ajuster une pièce ou un accessoire, ou de faire l'entretien de l'outil, assurez-vous de toujours fermer la source d'alimentation en air, de purger l'air du boyau et de débrancher l'outil de sa source d'alimentation. Une négligence sur ce plan pourrait causer des blessures. Les tuyaux souples peuvent causer de graves blessures. Vérifiez toujours les boyaux et les raccords et remplacez-les s'ils sont endommagés, fissurés ou lâches. Évitez d'utiliser un outil endommagé ou usé. Évitez d'utiliser des raccords rapides avec cet outil. Pour installer correctement l'outil, consulter les directives.
- Une glissade, un trébuchage et/ou une chute lors de



l'utilisation d'outils pneumatiques peut causer de sérieuses blessures ou la mort. Prenez garde aux boyaux qui traînent par terre dans l'aire de travail.

- Votre posture doit être stable. Évitez de travailler à bout de bras.
- Calculez vos mouvements et prenez garde aux changements brusques de position quand vous utilisez un outil électrique.



- Ne pas pointer l'outil vers une personne ni l'utiliser à mauvais escient.



- Garder l'outil hors de la portée des enfants.
- Ne tenez pas l'outil par le boyau d'alimentation. Protégez le boyau des objets tranchants et de la chaleur.



- L'arbre de l'outil peut continuer de tourner brièvement une fois la gâchette relâchée. Évitez tout contact direct avec les accessoires pendant ou après l'utilisation. Le port de gants réduit les risques de coupures ou de brûlures.
- Rester à l'écart de l'extrémité de l'outil. Ne portez pas de bijoux ni de vêtements amples. Les cheveux longs doivent demeurer hors de portée de l'outil et de ses accessoires pour éviter tout scalp accidentel. Tenez les cravates et les colliers hors de portée de l'outil, car ils présentent un risque de suffocation.

- Utiliser uniquement des pièces de rechange et des accessoires recommandés pour les outils pneumatiques pour professionnels Matco Tools.

• Gardez l'outil hors de la portée des enfants.

• Ne pointez pas cet outil sur quiconque et ne l'utilisez pas non plus comme jouet.

• Prenez note du sens de la rotation AVANT d'utiliser cet outil.

• Ne tentez pas de maintenir le levier de sécurité dans la position « on » en le verrouillant ou en l'attachant avec du ruban adhésif ou du fil métallique, car il doit pouvoir retourner automatiquement sur « off » lorsqu'il est relâché.



- Ne pas lubrifier les outils avec des liquides inflammables ou volatils comme le kérosène, le diesel ou le carburant d'avion.

- Évitez de forcer l'outil en l'utilisant au-delà de sa puissance nominale.



- N'enlevez aucune étiquette. Remplacez toute étiquette abîmée.

• Cet outil n'est pas isolé du point de vue des chocs électriques.

- Gardez l'outil hors de la portée des enfants.

- Ne pointez pas cet outil sur quiconque et ne l'utilisez pas non plus comme jouet.



- Prenez note du sens de la rotation AVANT d'utiliser cet outil.

• Ne pas utiliser cet outil dans une atmosphère explosive.

- Ne pas utiliser (ni modifier) l'outil pour une utilisation autre que celle pour laquelle il a été conçu sans consulter le représentant autorisé du fabricant.

- Le service de réparation et de vérification ne peut être effectué que par un centre de service autorisé.

- Ce produit peut contenir des produits chimiques reconnus par l'état de la Californie comme causant le cancer, des anomalies congénitales ou d'autres effets nuisibles sur la reproduction. *Se laver minutieusement les mains après avoir utilisé le produit.*

CARACTÉRISTIQUES

- Moteur de haute performance _ CV pour plus de puissance et une longévité accrue
- Idéal pour tous les travaux de polissage et de ponçage avec tous les types de segments
- Conception d'accessoire de découpage de qualité industrielle pour une longue durée de vie et une performance fiable
- Conception tête d'angle spéciale pour plus de jeu lorsque vous travaillez dans un espace étroit
- Régulateur d'arrêt guidé pour une performance plus polyvalente dans tous les type de travaux.
- Commande de levier de sécurité super confortable afin de prévenir les démarrages accidentels.

OPERATION

Toujours couper l'arrivée d'air comprimé et débrancher l'outil avant d'enlever ou de mettre en place une pièce ou un accessoire quelconque, ou avant d'effectuer une tâche d'entretien quelconque.

Meules agglomérées montés point de broyage, fichiers rotatifs et les bavures de carbure peuvent être montés fournir leur cote de vitesse est supérieure à la vitesse de la meuleuse. La taille de la tige de l'accessoire monté doit correspondre à la taille collet monté dans le broyeur. Insérez la tige de la pointe montée aussi loin que possible dans le collet et serrer l'écrou à l'aide des clés fournies. Longueur minimale tige de préhension doit être de 10 mm.

Après le montage d'un nouveau point, démarrer le Grinder sous banc et de fonctionner pendant quelques secondes. Si le moulin se met à vibrer lors de la pose d'abord un point monté ou pendant le fonctionnement, retirer immédiatement du service. Si Grinder est tombé, remplacer la meule, lime rotative ou de carbure bavure.

Lorsque vous utilisez le Grinder, veillez à ne pas exercer une force excessive qui pourrait être dangereux et causer broche montée à tordre ou de casser.

REMARQUE: Pendant le fonctionnement, des lunettes de sécurité devraient toujours être portés pour se prémunir contre la rouille de vol et des frites (utilisateurs et les spectateurs).

SOURCE D'ALIMENTATION EN AIR

Les outils de cette catégorie fonctionnent avec un large éventail de pressions d'air. Nous recommandons une pression d'air à l'entrée de 90 lb/po2. Une faible pression (moins de 90 lb/po2 ou de 6,2 bar) réduit la vitesse et le rendement de tous les outils pneumatiques. Une pression élevée (plus de 115 lb/po2 ou 8,0 bar) excédant la puissance nominale de l'outil raccourcit sa durée de vie et peut causer des blessures.

Utilisez toujours de l'air comprimé propre et sec. La présence de poussière, de vapeurs corrosives et/ou d'eau dans la conduite d'air peut endommager l'outil. Videz le réservoir d'air comprimé tous les jours. Nettoyez le filtre de l'entrée d'air au moins une fois par semaine.

La source d'alimentation en air est raccordée à une entrée d'air ayant un filetage normalisé NPT de 1/4 po. Il faut augmenter la pression dans la conduite d'air dans le cas de boyaux à air exceptionnellement longs (plus de 25 pieds). Le diamètre intérieur minimal du boyau doit être de 3/8 po. Les raccords doivent avoir le même diamètre intérieur et être serrés solidement.

⚠ AVERTISSEMENT

Asegúrese que se haya instalado una válvula accesible de apagado por emergencia en la línea de suministro de aire e informe a otros de su ubicación.

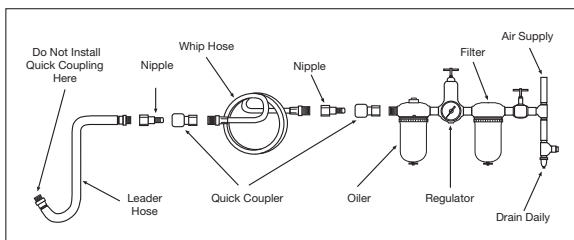


FIG. 1

DÉPANNAGE

D'autres facteurs en dehors de l'outil peuvent provoquer une perte de puissance ou une action erratique. Sortie du compresseur réduit, vidange excessive sur la ligne, l'humidité ou restrictions dans les tuyaux d'air de l'air ou l'utilisation de raccords de tuyaux de taille incorrecte ou de mauvaises conditions peut réduire l'alimentation en air. Grit ou gomme dépôts dans l'outil peuvent couper l'alimentation et peuvent être corrigées par le nettoyage du filtre à air et débusquer l'outil avec de la gomme solvant de pétrole ou un mélange égal de SAE # 10 et le kérosène. Si les conditions extérieures sont dans l'ordre, l'outil de déconnexion du flexible et prennent outil à votre centre de service agréé le plus proche.

LUBRIFICATION

Lubrifiez le moteur pneumatique chaque jour avec de l'huile à outil pneumatique. Si vous n'utilisez pas de burette à conduite d'air, injectez 1/2 oz d'huile dans l'outil. Vous pouvez injecter l'huile dans l'entrée d'air de l'outil ou dans le boyau par l'entremise du raccord le plus près de la source d'alimentation en air.

Ensuite, faites fonctionner l'outil. Un excès d'huile réduira la puissance de l'outil.

⚠ AVERTISSEMENT

Une fois l'outil pneumatique lubrifié, de l'huile s'écoulera de l'orifice d'échappement pendant les premières secondes de fonctionnement. L'orifice d'échappement doit être recouvert d'un chiffon avant de mettre en marche l'outil pour prévenir les blessures graves.



FIG. 2

GARANTIE

Matco garantit ses outils pneumatiques au consommateur pendant une période d'un an. Nous réparerons tout outil pneumatique de la série MT couvert par cette garantie qui présente un défaut de matériau ou de main-d'œuvre durant la période de garantie. Pour faire réparer l'outil, retournez-le à l'un des centres de garantie autorisés de Matco indiqués ci-dessous, port payé. Joignez une copie de votre preuve d'achat et une brève description du problème. L'outil sera inspecté et si une ou plusieurs pièces présentent un défaut de matériel ou de main-d'œuvre, l'outil sera réparé gratuitement et retourné port payé.

Cette garantie vous donne des droits particuliers. Vous pouvez aussi avoir d'autres droits qui varient d'un état à l'autre.

Cette obligation est la seule responsabilité de Matco dans le cadre de cette garantie et Matco ne sera en aucun cas responsable de dommages connexes ou corrélatifs.

NOTE: Certains états ne permettent pas d'exclusion ou de limites pour les dommages connexes ou corrélatifs les limites ou exclusions indiquées ci-dessus ne s'appliquent peut-être pas dans votre cas.

**NATIONAL MACHINE GROUP
AIR TOOL REPAIR CENTER**
1330 Commerce Dr.
Stow, OH 44224
(330) 688-6494

**NATIONAL MACHINE GROUP
AIR TOOL REPAIR CENTER**
2223 S. Wilson Street
Tempe, AZ 85282
(480) 966-1097

HT PNEUMATIC REBUILDERS
22 Goodmark Place Unit #8
Toronto, ON M9w 6R2
(416) 213-0172