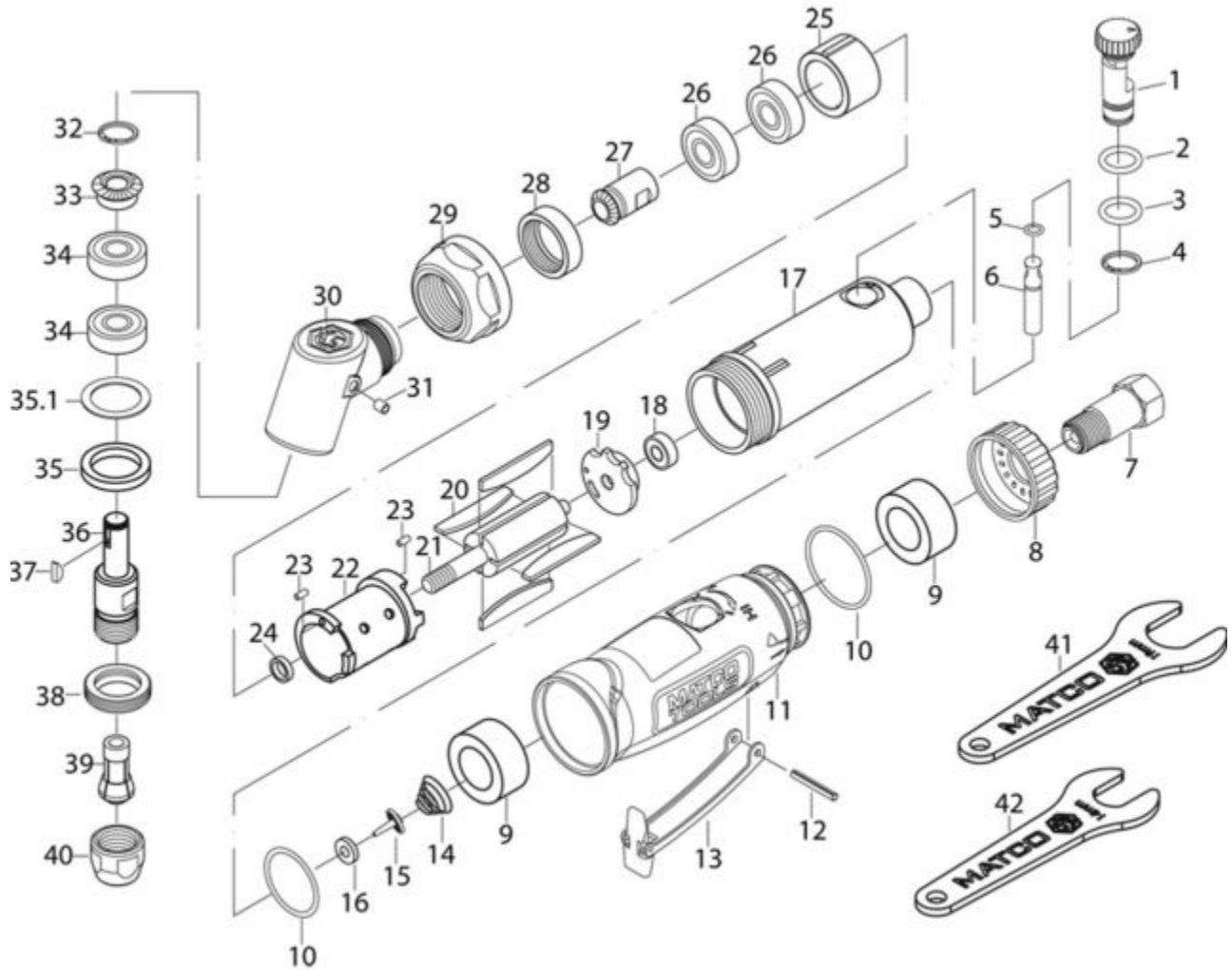


MT2887A - .50 HP 115 DEGREE DIE GRINDER



Item: MT2887A

Description: .50 HP 115 DEGREE DIE GRINDER

Notes: N/A

Figure No	Part Number	Description	No. Reqd	Warranty Code
1	*K7RS288701	REGULATOR	1	
2	K7RS288302	O RING F/MT2880L,MT2885	1	X
3	K7RS288303	O RING F/MT2880L,MT2885	1	X
4	K7RS288304	SNAP RING F/MT2880L,MT2885	1	X
5	K7RS246606	VALVE STEM F/ MT2466	1	X
6	K7RS246606	VALVE STEM F/ MT2466	1	X
7	K7RS288307	INLET BUSHING F/MT2880L,MT2885	1	X
8	K7RS288308	EXHAUST SLV F/MT2880L,MT2885	1	X
9	K7RS288309	COTTONSILENCER F/MT2880L	2	X
10	K7RS288310	O RING F/MT2880L,MT2885	2	X
11	K7RS288711A	PROTECTING RUBBER F/ MT2887A	1	X
12	K7RS288312	PIN 3X25 F/MT2880L,MT2885	1	X
13	K7RS288313	THROTTLE LVR F/MT2880L,MT2885	1	X
14	K7RS288314	SPRING F/MT2880L,MT2885	1	X
15	K7RS288315	VALVE F/MT2880L,MT2885	1	X
16	K7RS288316	WASHER F/MT2880L,MT2885	1	X
17	K7RS288317	HOUSING F/MT2880L,MT2885	1	X
18	K730529	REAR SPINDLE BEARING	1	X
19	K7RS288319	REAR PLATE F/MT2880L,MT2885	1	X
20	K7RS288320	ROTOR BLADE F/MT2880L,MT2885	4	X
21	K7RS288321	ROTOR F/MT2880L,MT2885	1	X
22	K7RS288322	CYLINDER F/MT2880L,MT2885	1	X
23	K7RS288323	PIN 2.5X6 F/MT2880L,MT2885	2	X
24	*K7RS2GR23	BEARING SPACER	1	
25	K7RS288325	FRONT PLATE F/MT2880L,MT2885	1	X
26	K796129	BALL BEARING	2	X
27	*K7S288727	BEVEL GEAR (18T)	1	
28	K7RS288328	NUT F/MT2885,MT2887	1	X
29	K7RS288329	CLAMP NUT F/MT2885,MT2887	1	X
30	*K7RS288730A	GLE HOUSING (INCLUDING #31)	1	
31	K7RS288331	3/16 OIL CUP F/MT2885	1	X
32	K7RS288732	SNAP RING /MT2887	1	X
33	K7RS288733	BEVEL GEAR F/MT2887 (20T)	1	X

34	K7RS288734	BEARING F/MT2887	2	X
35	K7RS288735	WASHER F/MT2887	1	X
36	K7RS288736	SHAFT F/ MT2887	1	X
37	K7RS288337	KEY F/MT2885	1	X
38	K7RS288738	CLAMP NUT FOR MT2887	1	X
39	K7RS20635	1/4" COLLET F/MT2880L,MT2883	1	X
40	K7RS20636	1/4" COLLET NUT F/MT2880L	1	X
41	K7RS288341	19MM STOP SPANNER F/MT2880L	1	X
42	K7RS288342	14MM STOP SPANNER F/MT1885K	1	X
43	*K7RS2887AWL	WARNING LABEL	1	