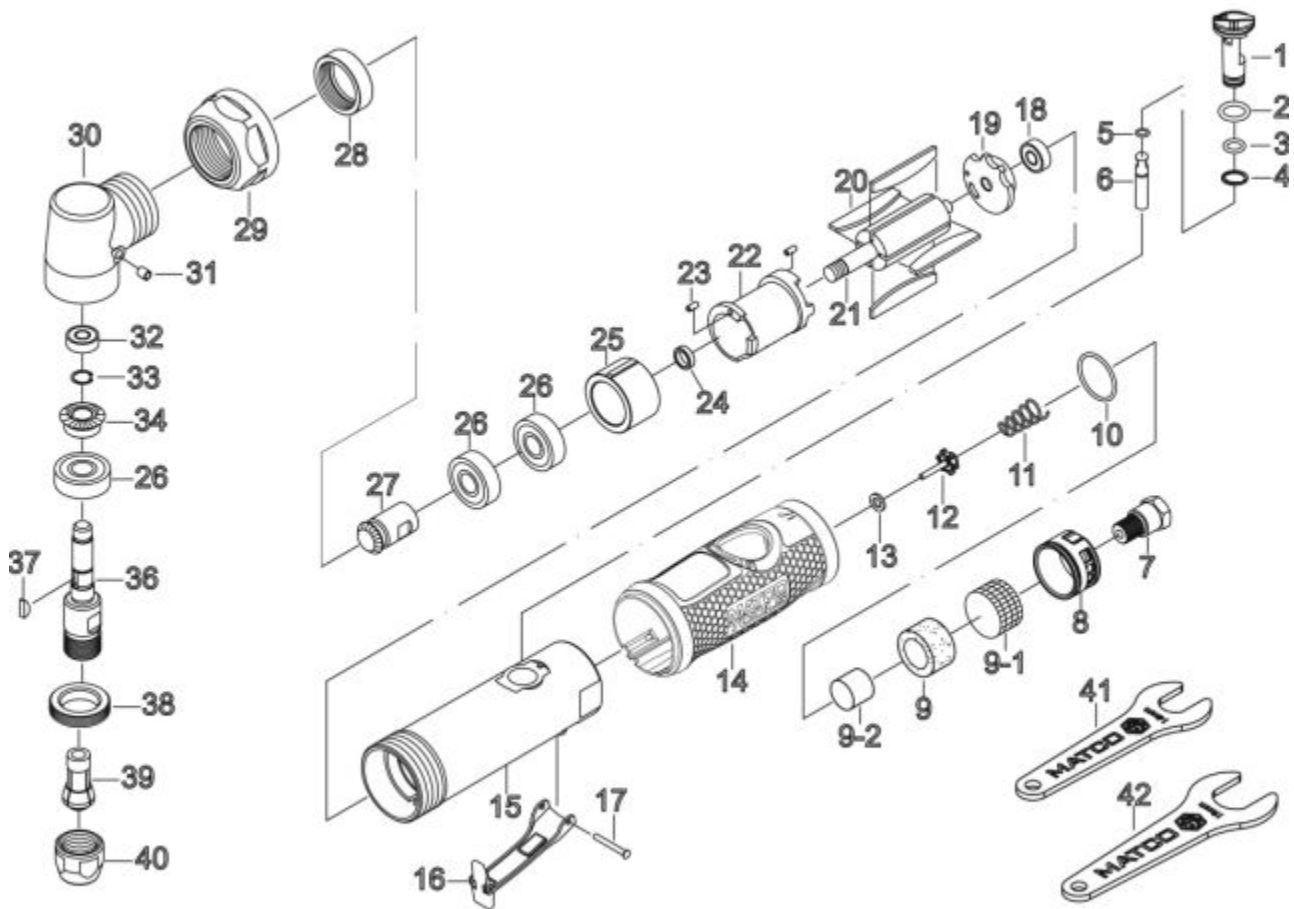


MT4883 - .75 HP ANGLE DIE GRINDER



Item: MT4883

Description: .75 HP ANGLE DIE GRINDER

Notes: (not shown) RS4883LK Label Kit

Figure No	Part Number	Description	No. Reqd	Warranty Code
0	K7RS15401	REGULATOR F/ MT4880	1	X
1	K7RS288302	O RING F/MT2880L,MT2885	1	X
2	K7RS288303	O RING F/MT2880L,MT2885	1	X
3	RS246605	O-RING	1	X
4	K7RS288304	SNAP RING F/MT2880L,MT2885	1	X
5	RS246605	O-RING	1	X
6	K7RS488306	VALVE STEM FOR MT4883	1	X
7	K7RS15407	AIR INLET FOR MT4883	1	X
8	K7RS15408	MUFFLER FOR MT4880	1	X
9	K7RS288309	COTTONSILENCER F/MT2880L	1	X
9	K7RS2883091	SILENCER F/ MT4880	1	X
9	K7RS15459	STAINLESS MESH F/ MT4880	1	X
10	K7RS31511	O-RING (26.7 1.78)	1	X
11	K7RS288314	SPRING F/MT2880L,MT2885	1	X
12	K7RS288315	VALVE F/MT2880L,MT2885	1	X
13	K7RS288316	WASHER F/MT2880L,MT2885	1	X
14	K7RS29014	HOUSING F/MT4880	1	X
14	*K7RS29014G	HOUSING GRIP -GREEN	1	
14	*K7RS29014O	HOUSING GRIP - ORANGE	1	
15	K7RS29015	HOUSING F/MT4880	1	X
16	K7RS524561	THROTTLE LEVER F/MT4880	1	X
17	K7RS621011	SPRING PIN (3X4L)	1	X
18	K7RS74718	REAR BEARING FOR MT4883	1	X
19	*K7RS15419B	REAR PLATE	1	
20	DVRS820R22	ROTOR BLADE (ST25122)	4	X
21	K7RS820R23	ROTOR F/MT4880	1	X
21	K7RS820R23	ROTOR F/MT4880	1	X
22	*K7RS29022A	CYNLINDER	1	
23	K7RS288323	PIN 2.5X6 F/MT2880L,MT2885	2	X
24	*K7RS820R25	BEARING SPACER	1	
25	*K7RS29125A	FRONT PLATE	1	
26	K7RS10920	BALL BEARING MT1430,50,60,1884	3	X
27	K7RS29127	BEVEL GEAR 15T MT4883	1	X

28	*K7RS29128	NUT	1	
29	K7RS850XLR33	CLAMP NUT F/MT4883	1	X
30	K7RS29130	ANGLE HOUSING F/ MT4883	1	X
31	K7RS288331	3/16 OIL CUP F/MT2885	1	X
32	K796129	BALL BEARING	1	X
33	K7RS2GR33A	SNAP RING F/ MT2872L	1	X
34	K7RS29134	BEVEL GEAR 18T FOR MT4883	1	X
36	K7RS29136	SHAFT FOR MT4883	1	X
37	K7RS288337	KEY F/MT2885	1	X
38	K7RS288338	CLAMP NUT F/MT2885	1	X
39	K7RS520129	1/4 IN COLLET FOR MT4883	1	X
39	K7RS20636	1/4" COLLET NUT F/MT2880L	1	X
40	K7RS20636	1/4" COLLET NUT F/MT2880L	1	X
41	K7RS288341	19MM STOP SPANNER F/MT2880L	1	X
42	K7RS288342	14MM STOP SPANNER F/MT1885K	1	X