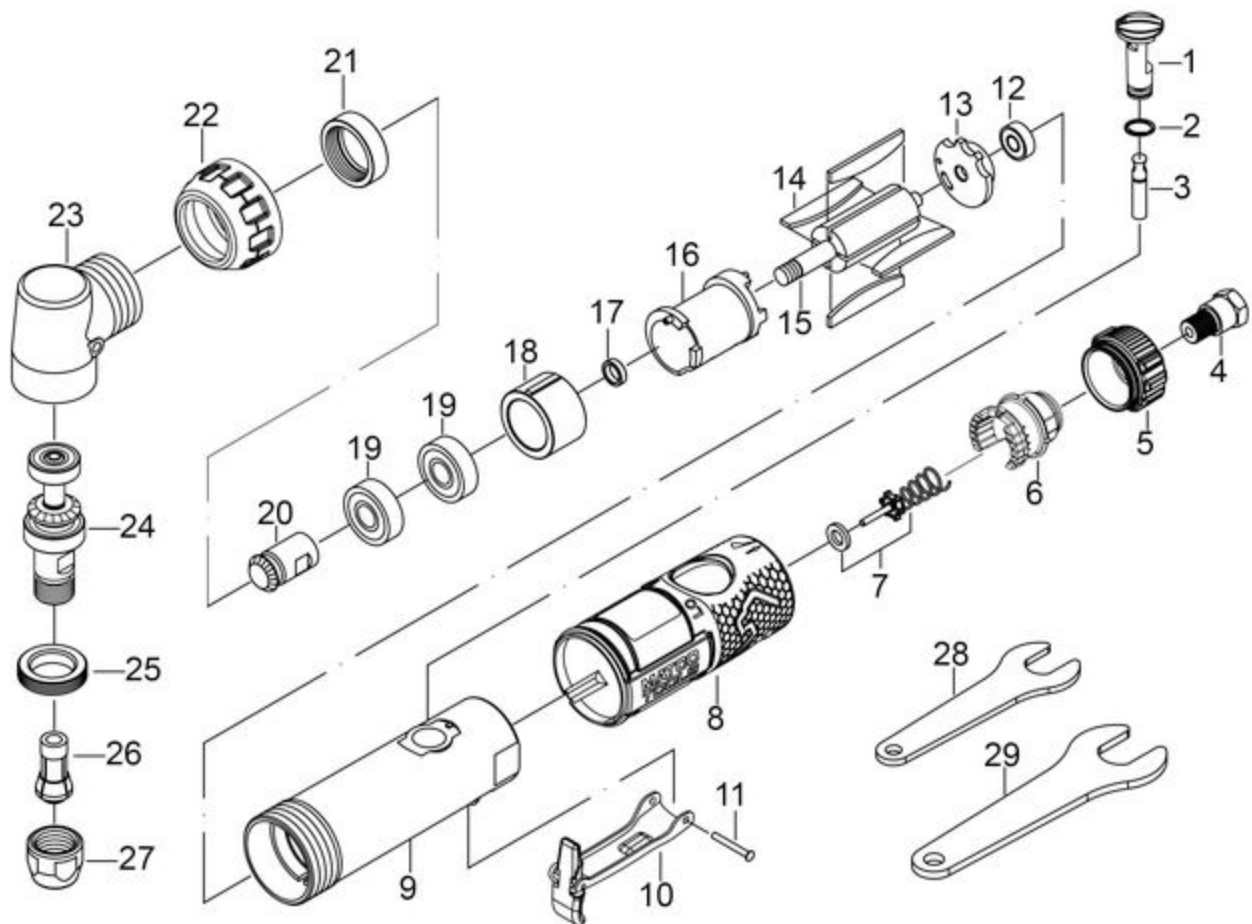


MT5883G - ANGLE DIE GRINDER .85 HP - GRE



Item: MT5883G

Description: ANGLE DIE GRINDER .85 HP - GRE

Notes: RS588304 Product Warning Label

Figure No	Part Number	Description	No. Reqd	Warranty Code
1	*K7RS588001	REGULATOR ASSEMBLY (INCLUDES #2 (1)SNAP RING & (2) O-RINGS	1	
2	K7RS288304	SNAP RING F/MT2880L,MT2885	1	X
3	*K7RS588002	VALVE STEM ASSEMBLY (INCLUDES O-RING)	1	
4	*K7RS588003	AIR INLET	1	
5	*K7RS588004	EXHAUST SLEEVE SET	1	
6	*K7RS588005	SILENCER	1	
7	*K7RS588006	TIP VALVE ASSEMBLY (INCLUDES TIP VALVE, WASHER AND SPRING)	1	
8	*K7RS588009	HOUSING GRIP (GREEN)	1	
8	*K7RS588007	HOUSING GRIP	1	
8	*K7RS588008	HOUSING GRIP (ORANGE)	1	
9	K7RS29015	HOUSING F/MT4880	1	X
10	*K7RS588010	SAFETY THROTTLE LEVER	1	
11	K7RS621011	SPRING PIN (3X4L)	1	X
12	K7RS21114	BEARING SX233A AND MT1884	1	X
13	*K7RS15419B	REAR PLATE	1	
14	*K7RS820R22	ROTOR BLADE (EACH)	4	
15	K7RS820R23	ROTOR F/MT4880	1	X
16	*K7RS588011	CYLINDER SET	1	
17	*K7RS820R25	BEARING SPACER	1	
18	*K7RS29125A	FRONT PLATE	1	
19	K710920	BEARING FOR RL500	2	X
20	K7RS29127	BEVEL GEAR 15T MT4883	1	X
21	*K7RS29128	NUT	1	
22	*K7RS588301	CLAMP NUT	1	
23	*K7RS588302	ANGLE HOUSING W/ GREASE FITTING	1	
24	*K7RS588303	SHAFT SET	1	
25	K7RS288338	CLAMP NUT F/MT2885	1	X
26	K7RS520129	1/4 IN COLLET FOR MT4883	1	X
27	K7RS20636	1/4" COLLET NUT F/MT2880L	1	X
28	K7RS288342	14MM STOP SPANNER F/MT1885K	1	X
29	K7RS288341	19MM STOP SPANNER F/MT2880L	1	X

