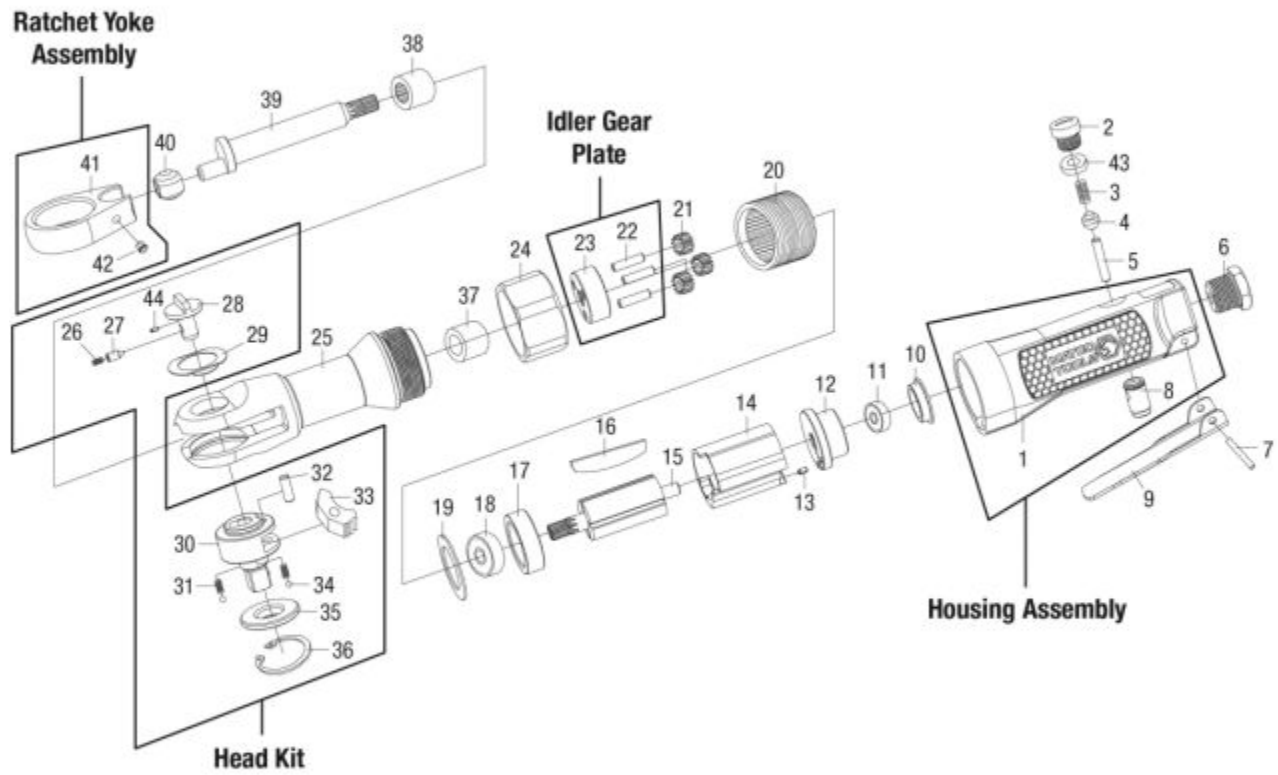


MT638 - 3/8" AIR RATCHET



Item: MT638

Description: 3/8" AIR RATCHET

Notes: * Available as Head Kit: MT638RHK

Figure No	Part Number	Description	No. Reqd	Warranty Code
1	K7RS75301M	HOUSING W/MATCO LOGO & VLV BSH	1	X
2	K7RS62801	PLUG F/SE610	1	X
3	K7RS62503	THROTTLE SPRING RL625,MT1834	1	X
4	K7RS62504	VALVE F/RL625,MT1834	1	X
5	K7RS61005	VALVE STEM F/SE610	1	X
6	K7RS63807	AIR INLET ASSY F/RL638	1	X
7	K7RS183509	SPRING PIN MT1834	1	X
8	*K70	VALVE BUSHING (INCL. W/ #1)	1	
9	K7RS61008	THROTTLE LEVER	1	X
10	K7RS61011	BEARING CAP F/SE610	1	X
11	K721114	BEARING F/RL600	1	X
12	K7RS63813	REAR END PLATE F/RL638	1	X
13	*K7RS87913	ALIGNMENT PIN (2X6)	1	
14	K7RS63816	AIR CYLINDER F/RL638	1	X
15	K7RS63814	ROTOR F/RL638	1	X
16	K7RS61015P	ROTOR BLADE 4 PACK	1	X
17	K7RS63817	FRONT END PLATE F/RL638	1	X
18	K7RS30524	BALL BEARING F/MT1883,MT1834	1	X
19	K7RS63819	WASHER FOR RL638	1	X
20	K7RS63820	INTERNAL GEAR F/RL638	1	X
21	K7RS63821	GEARS	3	X
22	*K70	GEAR PIVOT (INCL. W/ #23)	3	
23	*K7RS61023K	GEAR PLATE (INCL. #22)	1	
24	K7RS61025	CLAMP NUT FOR MT1857	1	X
25	*K7RS61026	RATCHET HOUSING	1	
26	*K7*	RATCHET SPRING	1	
27	*K7*	SPRING CAP	1	
28	*K7*	REVERSE BUTTON	1	
29	*K7*	WASHER	1	
30	*K7*	RATCHET ANVIL	1	
31	*K7*	FRICTION SPRING	2	
32	*K7*	PAWL PIVOT	1	
33	*K7*	RATCHET PAWL	1	

34	*K7*	STEEL BALL (4MM)	2	
35	*K7*	THRUST WASHER	1	
36	*K7*	SNAP RING (30)	1	
37	K7RS63824	BUSHING F/RL638	1	X
38	K7RS63827	BEARING F/ RL638	1	X
39	K7RS3000HD28	CRANK SHAFT F/SE610	1	X
40	K7RS63829	DRIVE BUSHING F/RL638	1	X
41	K7RS61030K	RATCHET YOKE F/SE610	1	X
42	*K70	GREASE FITTING (INCL. W/ #41)	1	
43	K7RS62502	O RING FOR RL625, MT1834	1	X
44	*K7*	FIX POSITION PIN (2X6)	1	
45	*K7RSMT638WL	WARNING LABEL (NOT SHOWN)	1	