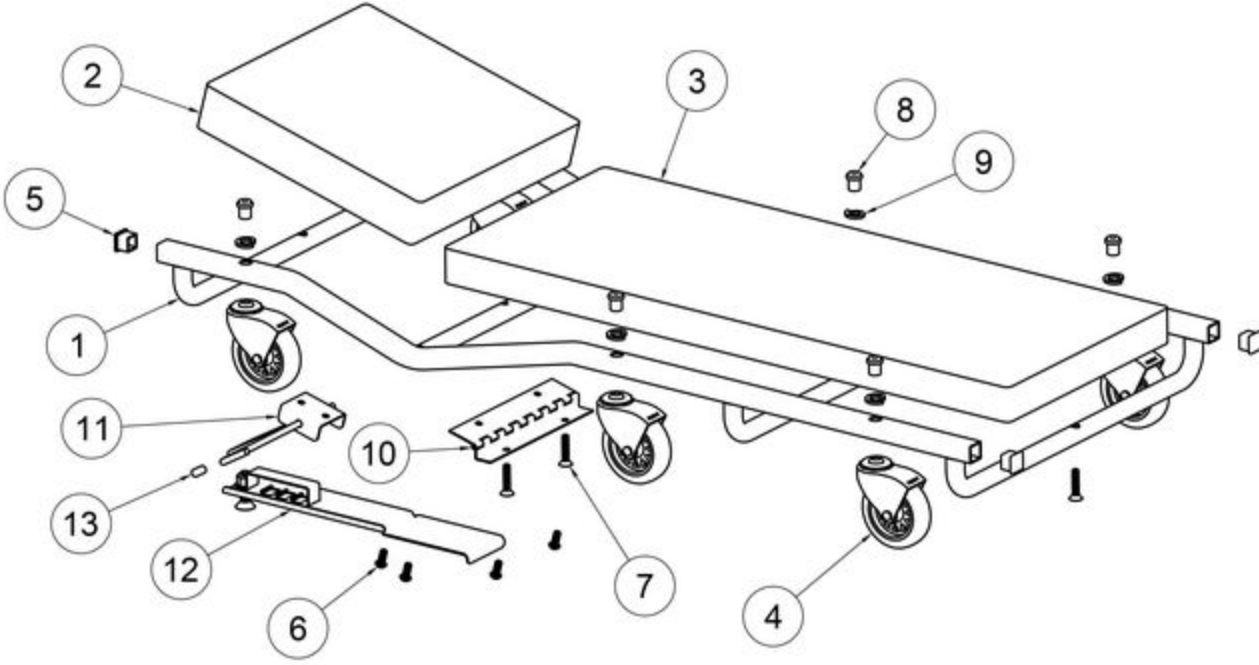


MTCV6ADJ - ADJUSTABLE CREEPER



Item: MTCV6ADJ

Description: ADJUSTABLE CREEPER

Notes: MTCV6ADJ warranty has been changed from a B warranty to an M warranty to promote part replacement rather than warranting the entire Creeper. See the Parts Manual for available replacement parts prior to contacting the supplier or attempting to warranty the entire Creeper. Have Proof of Purchase and any pictures showing the issue with the tool available when contacting the Supplier. Should the entire Creeper need to be sent for warranty contact the Supplier at 740.363.1179 x222.

Figure No	Part Number	Description	No. Reqd	Warranty Code
1	BMMTCV6-1	FRAME F/MTCV6	1	B
2	BMMTCV6ADJ-3	UPPER PAD F/MTCV6ADJ	1	B
3	BMMTCV6ADJ-2	LOWER PAD F/MTCV6ADJ	1	B
4	C3310RRC	CASTER FOR C3312,MTL37	1	K
5	BMMTCV6-5	4PK END CAPS F/ MTCV6	1	B
6	BMMTCV6-6	BOLT(2) KIT F/ PAD ON MTCV6	1	B
7	BMMTCV6ADJ-7	MTCV6ADJ ADJUSTMENT MECHANISM	1	B
8	*BMMTLV6ADJ-8	INSERTS 6 PIECES	1	
9	*BMMTLV6ADJ-9	LOCK WASHERS 6 PIECES	1	
10	*BMMTLV6ADJ-PH	PIANO HINGE TO JOIN TOP AND BOTTOM PAD	1	
13	*BMMTLV6ADJ-VC	VINYL CAP FOR ADJ HANDLE	1	