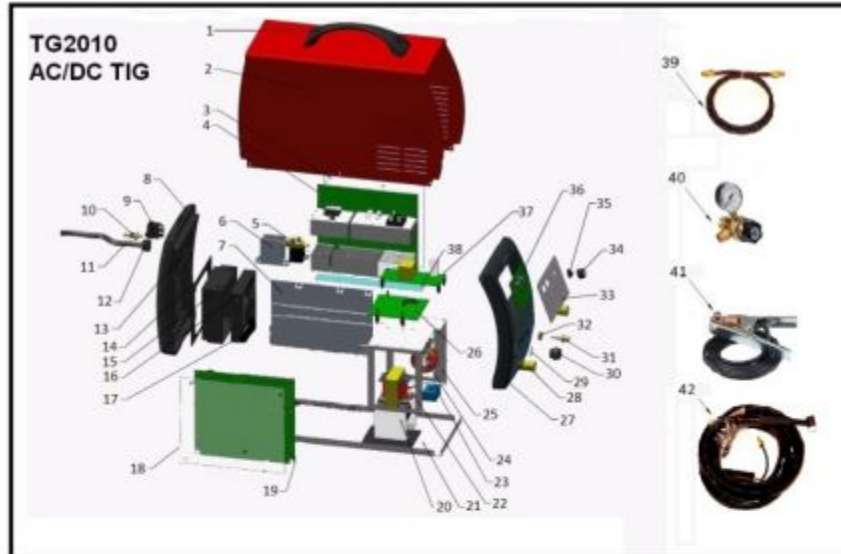


## MTG2010 - 200 AMP AC/DC TIG PULSE WELDR



### TG2010 PARTS LISTING

1	480.0001	Handle	22	480.0022	Transformer
2	480.0002	Cabinet cover	23	480.0023	Hall sensor
3	480.0003	Insulation plate	24	480.0024	PFC Inductor
4	480.0004	Primary inverter PCB	25	480.0025	Support plate
5	748.0024	Air solenoid 24V	26	480.0026	Control PCB
6	480.0006	Valve control PCB	27	480.0027	Front frame
7	480.0007	Support plate	28	480.0028	3550 F-connector
8	480.0008	Rear frame	29	480.0029	3550 Locking nut
9	530.0020	Power switch RED	30	480.0030	12-pin connector
10	480.0010	Gas hose fitting 5/8"	31	480.0010	Gas hose fitting 5/8"
11	570.0010	Power cord 6-50P	32	480.0032	Brass nut
12	480.0012	Cable strain relief	33	480.0033	Control panel 2010
13	480.0013	Sealing plate	34	480.0034	Knob
14	480.0014	Fan mounting plate	35	480.0035	Switch boot
15	480.0015	1225 Fan cover	36	480.0036	Display PCB
16	480.0016	Cooling fan 24VDC	37	480.0037	PFC power PCB
17	480.0017	Insulation plate	38	480.0038	Insulation paper
18	480.0018	Secondary inverter	39	480.0039	Gas hose 5/8-18x2
19	480.0019	Inductance plate	40	720.0002	Regulator 5/8-18
20	480.0020	Inductor	41	513N0021	200A Clamp cable 3550
21	480.0021	Cabinet base	42		SR17-12-2DI TIG torch 12.5'

Technical Support Line: 800-554-0074

Item: MTG2010

Description: 200 AMP AC/DC TIG PULSE WELDR

Notes: Tech Support 800-554-0074

Figure No	Part Number	Description	No. Reqd	Warranty Code
-----------	-------------	-------------	----------	---------------