

MTJF1000 - 1/2 TON FLOOR STYLE TRANS JACK



REPLACEMENT PARTS

(refer to page 7)

Not all components of the jack are replacement items, but are illustrated as a convenient reference of location and position in the assembly sequence. When ordering parts, please give the Model number and parts description. Call or write for current pricing. Matco Tools, 4403 Allen Road, Ste., OH 44224-1096, U.S.A. Tel: (888) BUY-TOOL, Matco Tools Website: <http://www.matcotools.com>

Replacement Parts Illustration for Model MTJF1000

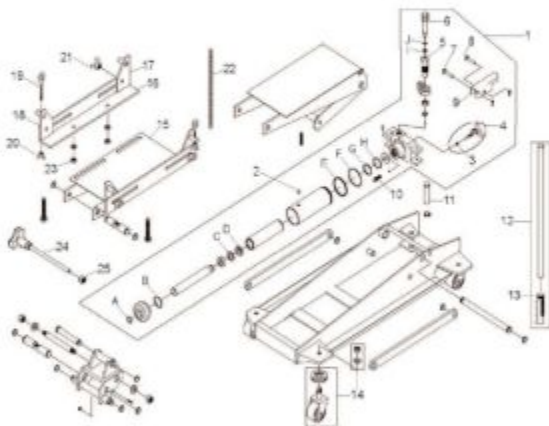


Figure 4 - Replacement Parts Illustration for Model MTJF1000



Replacement Parts List for Model MTJF1000

Item	Part No.	Description	Qty.
1	4503-01000-000	Hydraulic Unit	1
2	5503-00100-200	Filter Plug	1
3	5503-00051-000	Oil Seal	1
4	4500-90209-K03	Release Valve	1
5	4503-01004-000	Pump Cylinder	1
6	4503-01021-000	Pump Piston	1
7	5403-10035-000	Pin	1
8	5403-06035-000	Pin	1
9	4503-01006-000	Handle Sleeve	1
10	8825-10005-000	Filter	1
11	4503-06004-000	Pivot Pin, Hyd Unit	2
12	4503-00000-000	Handle Assembly	1
13	5140-20002-000	Handle Grip	1
14	4500-90209-K02	Caster Assembly	4
15	4503-00000-000	Back-up Assembly	1
16	4503-00000-000	Angle Bar	2
17	4503-00100-000	Angle I	2
18	4503-00000-000	Angle II	2
19	4503-00001-000	Screw Hook	2
20	5207-00005-000	Wing Nut, M9	2
21	5207-00015-000	Wing Nut, M10	4
22	4503-00002-000	Chain	1
23	5203-00015-000	Nut	4
24	4503-00000-000	Tilt Screw	1
25	5203-00012-001	Nut, M12	1
*	450005-071	Seal Kit, Hyd Unit	-

(*) Seal Kit Contents

Item	Description	Qty.
2	Filter Plug	1
3	Oil Seal	1
A	O-ring	1
B	O-ring	1
C	Back-up Ring	1
D	O-ring	1
E	Back-up Ring	1
F	O-ring	1
G	Back-up Ring	1
H	O-ring	1
I	Seal	1
J	O-ring	1

Item: MTJF1000

Description: 1/2 TON FLOOR STYLE TRANS JACK

Notes: N/A

Figure No	Part Number	Description	No. Reqd	Warranty Code
-----------	-------------	-------------	----------	---------------